

NCP81174

4/3/2-Phase Synchronous Buck Controller with Power Saving Mode and PWM VID Interface

The NCP81174 is a general-purpose up to four-phase synchronous buck controller. It combines differential voltage sensing, differential phase current sensing, and PWM VID interface to provide accurate regulated power for the computer or graphic controllers. It can receive power saving command (PSI) from processors and operates in single-phase diode emulation mode to obtain high efficiency in light load. Dual-edge multiphase PWM modulation ensures a fast transient response with minimum possible capacitors.

Features

- Output Voltage up to 2.0 V with PWM VID Interface
- Support 1.8 V and 3.3 V VID interface
- Remote Differential Output Voltage Sense
- Differential Current Sense For Each Phase
- 200 kHz – 1000 kHz Switching Frequency
- Power Saving Interface (PSI)
- Power Good Output
- Thermally Compensated Current Monitoring
- Over Current Protection
- Fast Transient Response
- 5 V V_{CC} Shunt Regulator
- Latched OVP and UVP Protections
- QFN–32, 5 x 5 mm, 0.5 mm Pitch Package
- This is a Pb–Free Device

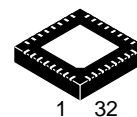
Typical Applications

- GPU and CPU Power
- Graphics Card Applications
- Desktop and Notebook Applications



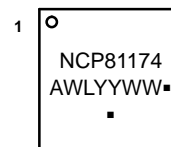
ON Semiconductor®

www.onsemi.com



QFN32
MW SUFFIX
CASE 488AM

MARKING DIAGRAM



A = Assembly Location
WL = Wafer Lot
YY = Year
WW = Work Week
▪ = Pb–Free Package

(Note: Microdot may be in either location)

ORDERING INFORMATION

| Device | Package | Shipping† |
|---------------|--------------------|-----------------------|
| NCP81174MNTXG | QFN32 (Pb–Free) | 2500 / Tape & Reel |

†For information on tape and reel specifications, including part orientation and tape sizes, please refer to our Tape and Reel Packaging Specifications Brochure, BRD8011/D.

NCP81174

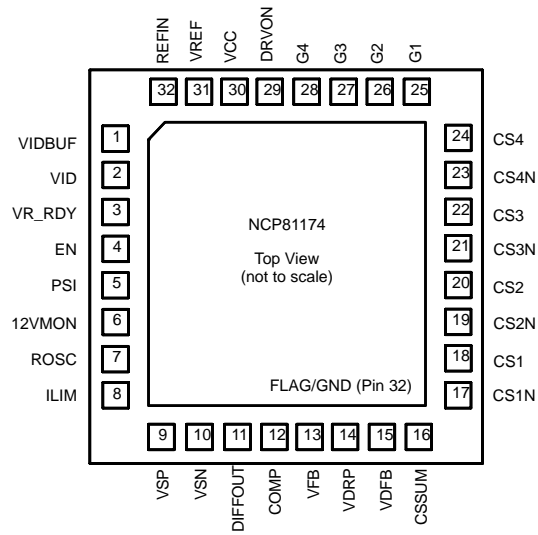


Figure 1. Pinout

NCP81174

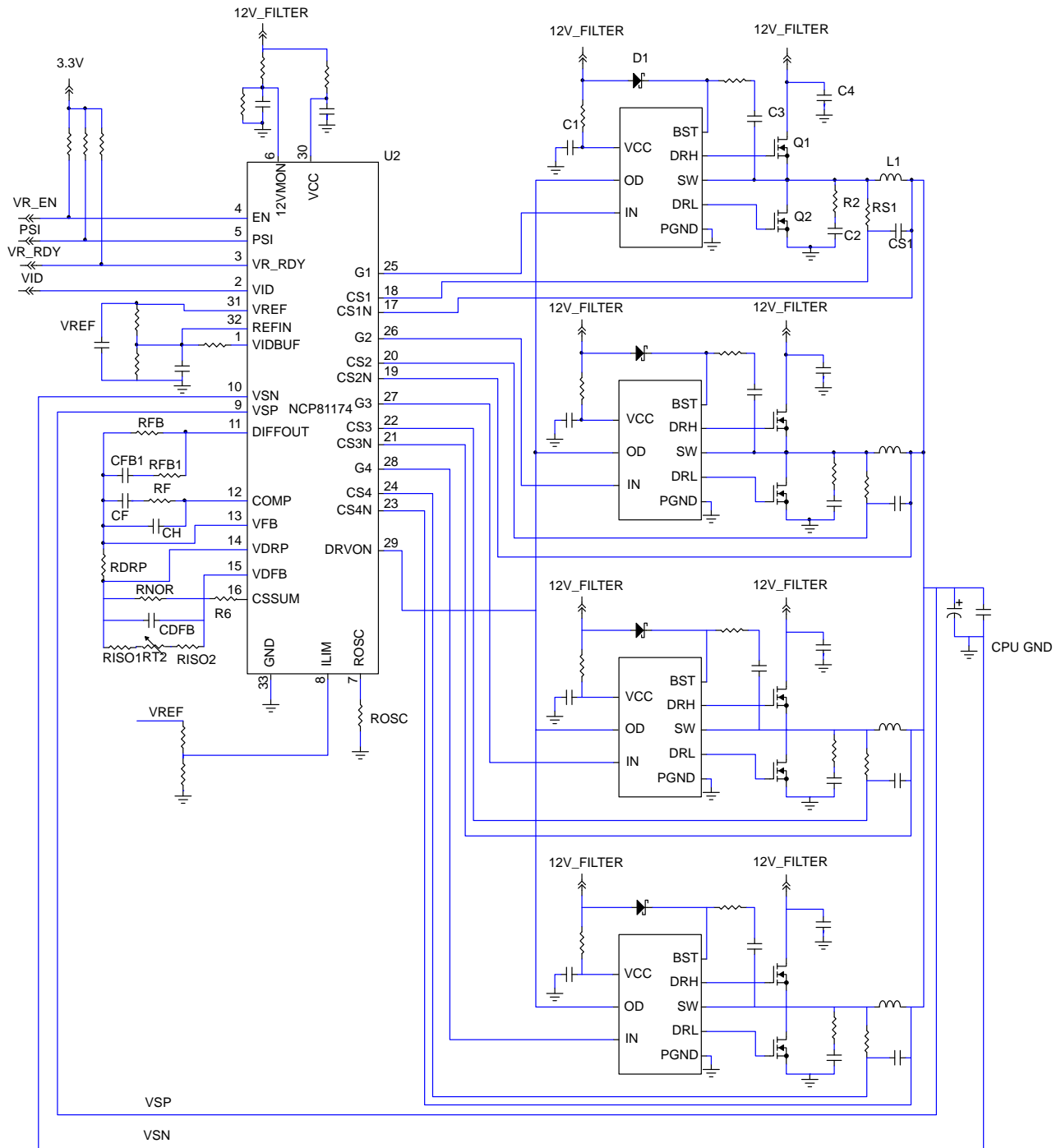


Figure 2. Typical Four Phase Application Circuit with PWM-VID Interface

NCP81174

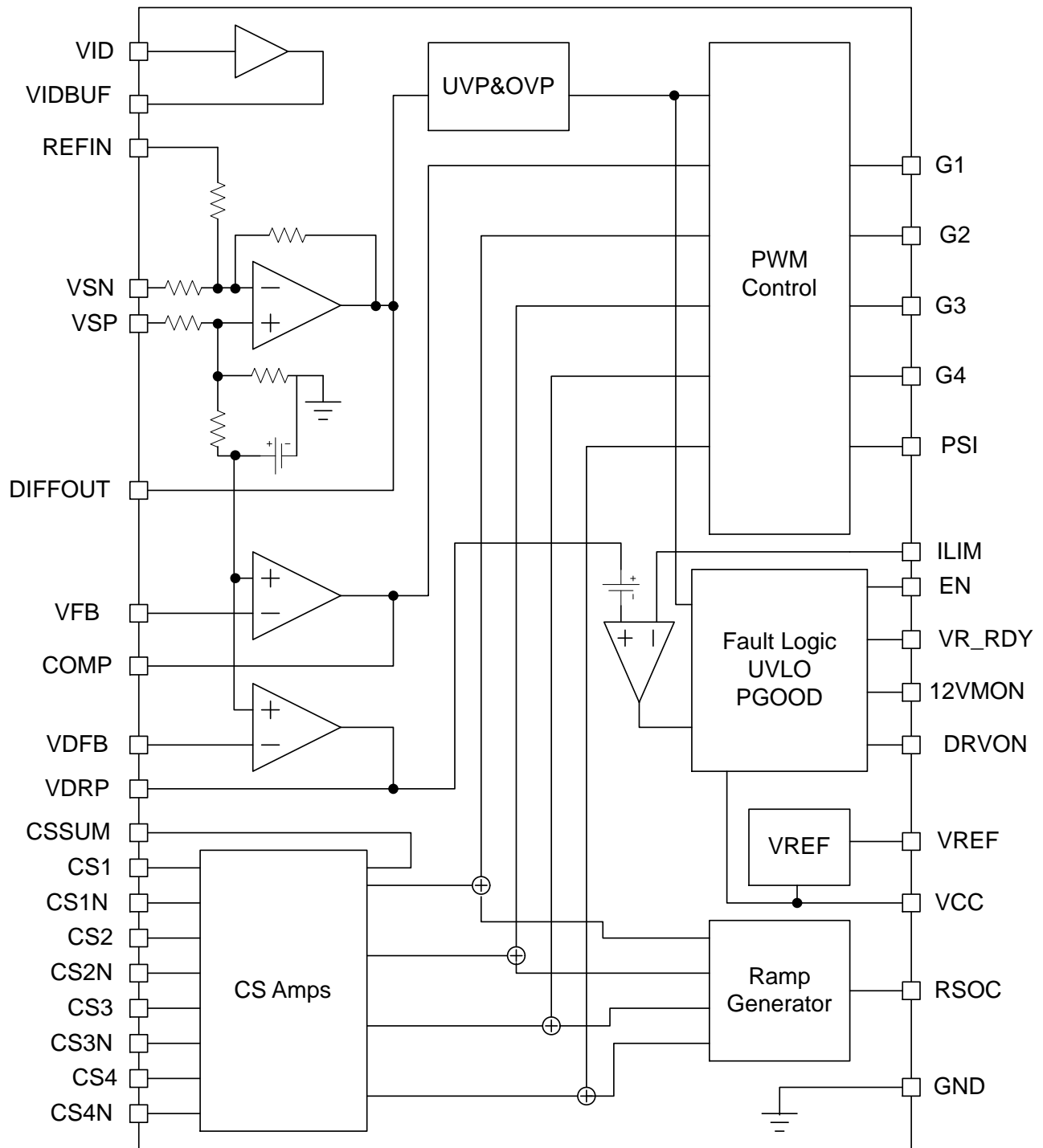


Figure 3. Functional Block Diagram

NCP81174

PIN DESCRIPTION

| Pin | Name | Description |
|-----|---------|---|
| 1 | VIDBUF | VID PWM pulse output from an internal buffer. |
| 2 | VID | Voltage ID from processor. |
| 3 | VR_RDY | Power good indicator. |
| 4 | EN | Chip enable. |
| 5 | PSI | Power saving control. Three levels. |
| 6 | 12VMON | 12 V input power rail monitor. It is a divided down voltage from the input power rail, should be kept to less than 4 V at all time. |
| 7 | ROSC | A resistance from this pin to ground programs the oscillator frequency. |
| 8 | ILIM | Over current shutdown threshold setting. |
| 9 | VSP | Non-inverting input to the internal differential remote sense amplifier. |
| 10 | VSN | Inverting input to the internal differential remote sense amplifier. |
| 11 | DIFFOUT | Output of the differential remote voltage sense amplifier. |
| 12 | COMP | Output of the compensation amplifier. |
| 13 | VFB | Inverting input of the compensation error amplifier |
| 14 | VDRP | Voltage signal proportional to the total current. |
| 15 | VDFB | Current summing amplifier inverting input |
| 16 | CSSUM | Current summing output signal |
| 17 | CS1N | Inverting input to current sense amplifier, phase 1. |
| 18 | CS1 | Non-inverting input to current sense amplifier, phase 1. |
| 19 | CS2N | Inverting input to current sense amplifier, phase 2. |
| 20 | CS2 | Non-inverting input to current sense amplifier, phase 2. |
| 21 | CS3N | Inverting input to current sense amplifier, phase 3. |
| 22 | CS3 | Non-inverting input to current sense amplifier, phase 3. |
| 23 | CS4N | Inverting input to current sense amplifier, phase 4. |
| 24 | CS4 | Non-inverting input to current sense amplifier, phase 4. |
| 25 | G1 | Phase 1 PWM output, 3 levels. |
| 26 | G2 | Phase 2 PWM output, 3 levels. |
| 27 | G3 | Phase 3 PWM output, 3 levels. |
| 28 | G4 | Phase 4 PWM output, 3 levels. |
| 29 | DRVON | Gate driver enable. |
| 30 | VCC | Power supply for the chip. NCP81174 has a built-in 5 V shunt regulator, allowing it to connect to the external 12 V supply through a resistor. Do not connect a 5 V supply to VCC directly. |
| 31 | VREF | 2.0 V output reference voltage. A 10 nF ceramic capacitor is recommended to connect this pin to ground. |
| 32 | REFIN | Reference voltage input for output voltage regulation. |
| 33 | FLAG | Thermal pad and analog ground, connected to system ground. |

NCP81174

MAXIMUM RATINGS

ELECTRICAL INFORMATION

| Pin Symbol | VMAX | VMIN | ISOURCE | ISINK |
|----------------|--------------|--------------------------|---------|-------|
| COMP | 5.5 V | -0.3 V | 10 mA | 10 mA |
| VDRP | 5.5 V | -0.3 V | 5 mA | 5 mA |
| VSP | 5.5 V | GND - 300 mV | 1 mA | 1 mA |
| VSN | GND + 300 mV | GND - 300 mV | 1 mA | 1 mA |
| DIFFOUT | 5.5 V | -0.3 V | 20 mA | 20 mA |
| VR_RDY | 5.5 V | -0.3 V | N/A | 20 mA |
| VCC | 7.0 V | -0.3 V | N/A | 10 mA |
| ROSC | 5.5 V | -0.3 V | 1 mA | N/A |
| PWMVID | 5.5 V | -0.3 V (-2 V, <50 ns) | | |
| All Other Pins | 5.5 V | -0.3 V | | |

*All signals referenced to AGND unless otherwise noted.

THERMAL INFORMATION

| Rating | Symbol | Value | Unit |
|--|------------|-------------|------|
| Thermal Characteristic, QFN Package (Note 1) | R_{thja} | 48.5 | °C/W |
| Junction Temperature Range (Note 2) | T_J | -40 to 125 | °C |
| Operating Ambient Temperature Range | T_A | 0 to 100 | °C |
| Maximum Storage Temperature Range | T_{STG} | -55 to +150 | °C |
| Moisture Sensitivity Level, QFN Package | MSL | 1 | |

Stresses exceeding those listed in the Maximum Ratings table may damage the device. If any of these limits are exceeded, device functionality should not be assumed, damage may occur and reliability may be affected.

*The maximum package power dissipation must be observed.

1. JESD 51-5 (1S2P Direct-Attach Method) with 0 LFM.
2. JESD 51-7 (1S2P Direct-Attach Method) with 0 LFM.

NCP81174

ELECTRICAL CHARACTERISTICS

($V_{VCC} = 5\text{ V}$, $V_{REFIN} = 1.0\text{ V}$, $V_{PS1} = 3.3\text{ V}$, typical values are referenced to $T_A = 25^\circ\text{C}$, Min and Max values are referenced to T_A from 0°C to 100°C , unless other noted.)

| Characteristics | Test Conditions | Symbol | Min | Typ | Max | Unit |
|-----------------|-----------------|--------|-----|-----|-----|------|
|-----------------|-----------------|--------|-----|-----|-----|------|

SUPPLY VOLTAGE

| | | | | | | |
|----------------------------|--|-----------|-----|--|----|---|
| System Input Voltage Range | | V_{SYS} | 7.0 | | 20 | V |
|----------------------------|--|-----------|-----|--|----|---|

SUPPLY CURRENT

| | | | | | | |
|-----------------------|---|----------|-----|-----|-----|----|
| DC Supply Current | $V_{sys} = 13.2\text{ V}$, $R_{shunt} = 150$ | | | 54 | 60 | mA |
| UVLO Turn-On Current | | | | 30 | 35 | mA |
| VCC UVLO Rising | | | | 4.9 | 5.2 | V |
| VCC UVLO Falling | | | 3.8 | 4.1 | | V |
| VCC Quiescent Current | no switching, PS0 no switching, PS1/PS2 | I_{CC} | – | 46 | – | mA |
| | | | – | 46 | – | mA |

SWITCHING FREQUENCY

| | | | | | | |
|-------------------------------|--|----------|-----|-----|------|-----|
| PS0 Switching Frequency Range | | F_{sw} | 200 | | 1000 | kHz |
| Switching Frequency Accuracy | | | | | 10 | % |
| ROSC Output Voltage | | | | 2.0 | 2.05 | V |

VOLTAGE REFERENCE

| | | | | | | |
|------------------------|-------------------------|------------|------|-----|------|---|
| VREF Reference Voltage | $I_{REF} = 1\text{ mA}$ | V_{VREF} | 1.98 | 2.0 | 2.02 | V |
|------------------------|-------------------------|------------|------|-----|------|---|

PWM MODULATION

| | | | | | | |
|--------------------------|---|--|-----|-----|----|----|
| Minimum On Time (Note 3) | $F_{sw} = 800\text{ kHz}$ | | – | 30 | – | ns |
| 0% Duty Cycle | COMP voltage when the PWM outputs remain HI | | – | 1.3 | – | V |
| 100% Duty Cycle | COMP voltage when the PWM outputs remain HI | | – | 2.3 | – | V |
| PWM Phase Angle Error | Between adjacent phases | | –15 | | 15 | ° |

VOLTAGE ERROR AMPLIFIER

| | | | | | | |
|--------------------------------------|---|--|------|-----|-----|------------------|
| Open-Loop DC Gain (Note 3) | | | | 100 | | dB |
| Unity Gain Bandwidth (Note 3) | | | | 10 | | MHz |
| Slew Rate (Note 3) | | | | 5 | | V/ μs |
| COMP Voltage Swing | $I_{COMP}(\text{source}) = 2\text{ mA}$ | | 3.5 | – | – | V |
| | $I_{COMP}(\text{sink}) = 0.2\text{ mA}$ | | – | – | 50 | mV |
| Non-inverting Voltage Range (Note 3) | | | 0 | 1.3 | 3 | V |
| Input Bias Current | | | –50 | 0 | 50 | nA |
| Input Offset Voltage (Note 3) | $V_{SP} = V_{SN} = 1.0\text{ V}$ | | –1.0 | | 1.0 | mV |

CURRENT-SENSE AMPLIFIER

| | | | | | | |
|----------------------------------|--|--|------|-----|-----|-----|
| Input Bias Current | $CS_x = CS_{xN} = 1.0\text{ V}$ | | –200 | 0 | 200 | nA |
| Input Offset Voltage (Note 3) | | | –1.0 | | 1.0 | mV |
| Common Mode Input Range (Note 3) | | | –0.3 | | 2.0 | V |
| Differential Mode Input Range | | | –120 | | 120 | mV |
| Closed-Loop DC Gain (Note 3) | $0\text{ V} < CS_x - CS_{xN} < 0.1\text{ V}$ | | 5.7 | 6.0 | 6.3 | V/V |
| –3dB Gain Bandwidth (Note 3) | | | | 10 | | MHz |
| Current Sharing Offset | | | –2.5 | – | 2.5 | mV |

Product parametric performance is indicated in the Electrical Characteristics for the listed test conditions, unless otherwise noted. Product performance may not be indicated by the Electrical Characteristics if operated under different conditions.

3. Guaranteed by design, may not be tested.

NCP81174

ELECTRICAL CHARACTERISTICS

($V_{VCC} = 5\text{ V}$, $V_{REFIN} = 1.0\text{ V}$, $V_{PSI} = 3.3\text{ V}$, typical values are referenced to $T_A = 25^\circ\text{C}$, Min and Max values are referenced to T_A from 0°C to 100°C , unless other noted.)

| Characteristics | Test Conditions | Symbol | Min | Typ | Max | Unit |
|-----------------|-----------------|--------|-----|-----|-----|------|
|-----------------|-----------------|--------|-----|-----|-----|------|

CURRENT SUMMING AMPLIFIER

| | | | | | | |
|---|---|--|-----|-------|-----|------------------|
| Current Sense Input to CSSUM DC Gain | $-60\text{ mV} < CSx - CSxN < 60\text{ mV}$ | | | -3.93 | | V/V |
| Current Sense Input to CSSUM -3 dB Bandwidth (Note 3) | $CL = 10\text{ pF}$ to GND, $RL = 10\text{ k}\Omega$ to GND | | | 4 | | MHz |
| CSSUM Output Slew Rate (Note 3) | | | | 4 | | V/ μs |
| CSSUM Summing Amp Output Offset (Note 3) | | | -15 | 0 | 15 | mV |
| Maximum CSSUM Output Voltage | | | 3.0 | | | V |
| Minimum CSSUM Output Voltage | | | | | 0.3 | V |
| Output Source Current (Note 3) | | | 1 | - | - | mA |
| Output Sink Current (Note 3) | | | 1 | - | - | mA |

DROOP AMPLIFIER VDRP

| | | | | | | |
|---|--|--|------|-----|-----|-----|
| Input Bias Current (Note 3) | | | -200 | | 200 | nA |
| Input Offset Voltage (Note 3) | $VSP = VSN = 1.1\text{ V}$ | | -4.0 | | 4.0 | mV |
| Open Loop DC Gain (Note 3) | $CL = 20\text{ pF}$ to GND including ESD $RL = 1\text{ k}\Omega$ to GND | | - | 100 | | dB |
| Open Loop Unity Gain Bandwidth (Note 3) | $CL = 20\text{ pF}$ to GND including ESD $RL = 1\text{ k}\Omega$ to GND | | - | 10 | - | MHz |
| Maximum Output Voltage | $I_{SOURCE} = 4.0\text{ mA}$ | | 3 | - | - | V |
| Minimum Output Voltage | $I_{SINK} = 1.0\text{ mA}$ | | - | - | 1 | V |
| Output source current (Note 3) | $V_{out} = 3.0\text{ V}$ | | 4 | - | - | mA |
| Output sink current (Note 3) | $V_{out} = 1.0\text{ V}$ | | 1 | - | - | mA |

REMOTE VOLTAGE DIFFERENTIAL SENSE AMPLIFIER

| | | | | | | |
|---------------------------------|--|--|------|--------------|-------|------------------|
| Input Bias Current (Note 3) | $VSN = 0\text{ V}$ | | | 30 | | μA |
| VSP Input Pull down Resistance | $DRVON = \text{low}$ $DRVON = \text{high}$ | | | 1.5 17 | | $\text{k}\Omega$ |
| VSP Input Bias Voltage (Note 3) | $DRVON = \text{low}$ $DRVON = \text{high}$ | | | 0.09 0.66 | | V |
| Input Voltage Range (Note 3) | | | -0.3 | - | 3.0 | V |
| 3dB Bandwidth (Note 3) | $CL = 80\text{ pF}$ to GND, $RL = 10\text{ k}\Omega$ to GND | | - | 10 | - | MHz |
| Closed Loop DC gain | $VSP - VSN = 0.5$ to 1.3 V | | 0.98 | 1.0 | 1.025 | V/V |
| Maximum Output Voltage | $I_{SOURCE} = 2\text{ mA}$ | | 3.0 | - | - | V |
| Minimum Output Voltage | $I_{SINK} = 2\text{ mA}$ | | - | - | 0.5 | V |
| Output source current (Note 3) | $V_{out} = 3\text{ V}$ | | 2.0 | - | - | mA |
| Output sink current (Note 3) | $V_{out} = 0.5\text{ V}$ | | 2.0 | - | - | mA |

DRVON

| | | | | | | |
|---------------------|--|--|-----|----|-----|----|
| Output High Voltage | Sourcing $500\text{ }\mu\text{A}$ | | 3.0 | - | - | V |
| Output Low Voltage | Sinking $500\text{ }\mu\text{A}$ | | - | - | 0.7 | V |
| Rise Time | CL (PCB) = 20 pF , $\Delta V_o = 10\%$ to 90% | | - | 20 | - | ns |

Product parametric performance is indicated in the Electrical Characteristics for the listed test conditions, unless otherwise noted. Product performance may not be indicated by the Electrical Characteristics if operated under different conditions.

3. Guaranteed by design, may not be tested.

NCP81174

ELECTRICAL CHARACTERISTICS

($V_{VCC} = 5\text{ V}$, $V_{REFIN} = 1.0\text{ V}$, $V_{PSI} = 3.3\text{ V}$, typical values are referenced to $T_A = 25^\circ\text{C}$, Min and Max values are referenced to T_A from 0°C to 100°C , unless otherwise noted.)

| Characteristics | Test Conditions | Symbol | Min | Typ | Max | Unit |
|-----------------|-----------------|--------|-----|-----|-----|------|
|-----------------|-----------------|--------|-----|-----|-----|------|

DRVON

| | | | | | | |
|-----------|--|--|---|----|---|----|
| Fall Time | CL (PCB) = 20pF, $\Delta V_o = 10\%$ to 90% | | – | 20 | – | ns |
|-----------|--|--|---|----|---|----|

ENABLE

| | | | | | | |
|--------------------------------|------------------------------|--|------|-----|------|---------------|
| Enable Threshold | EN rising | | – | 1.1 | 1.15 | V |
| | EN falling | | 0.95 | 1.0 | | |
| EN 3.3V IO Detection Threshold | EN rising | | | 2.5 | 2.55 | V |
| | EN falling | | 2.35 | 2.4 | | |
| EN Input Bias Current | External 1k pull-up to 3.3 V | | – | – | 1.0 | μA |

POWER SAVE INPUT

| | | | | | | |
|---|-------------------|----------------------------------|------|------------|------|---------------|
| PSI High Threshold (3.3 V input logic), Refer to Table 1 | Rising Falling | $V_{\text{highPSI}_3.3\text{V}}$ | 2.05 | 2.4 2.2 | 2.55 | V |
| PSI High Threshold (1.8 V input logic), Refer to Table 2 | Rising Falling | $V_{\text{highPSI}_1.8\text{V}}$ | 1.05 | 1.4 1.2 | 1.55 | V |
| PSI Low Threshold | Rising Falling | V_{lowPSI} | 0.5 | 0.8 0.6 | 0.95 | V |
| PSI Input Bias Current (Note 3) | | | – | – | 1.0 | μA |

PWM OUTPUTS

| | | | | | | |
|---------------------|---|--|-----|-----|-----|----|
| Output High Voltage | Sourcing 500 μA | | 3.0 | – | – | V |
| Mid Output Voltage | | | 1.4 | 1.5 | 1.6 | V |
| Output Low Voltage | Sinking 500 μA | | – | – | 0.7 | V |
| Rise Time | CL (PCB) = 50 pF, $\Delta V_o = 10\%$ to 90% | | – | 10 | 15 | ns |
| Fall Time | CL (PCB) = 50 pF, $\Delta V_o = 10\%$ to 90% | | – | 10 | 15 | ns |

4/3/2 PHASE DETECTION

| | | | | | | |
|----------------------------|--|--|-----|-----|-----|---------------|
| Gate Pin Source Current | | | – | 80 | – | μA |
| Gate Pin Threshold Voltage | | | 210 | 240 | 265 | mV |
| Phase Detect Timer | | | – | 20 | 27 | μs |

VR_RDY – STARTUP

| | | | | | | |
|------------------------|---|--|---|-----|-----|---------------|
| Vout Startup Delay | Measured from EN to Vout Start up from 0 V | | | 1.3 | | ms |
| VR_RDY Startup Delay | Measured from EN to VR_RDY assertion | | | 1.9 | | ms |
| VR_RDY Shutdown Delay | Measured from EN to VR_RDY de-assertion | | | 200 | 350 | ns |
| VR_RDY Low Voltage | $I_{\text{VR_RDY}} = 10\text{ mA}$ (sink) | | – | – | 0.4 | V |
| VR_RDY Leakage Current | VR_RDY = 5 V | | – | – | 0.2 | μA |

PROTECTION – OCP, OVP, UVP

| | | | | | | |
|--|--|--|------|------|------|-----|
| Current Limit ILIM to VDRP Gain | | | 0.95 | 1.0 | 1.05 | V/V |
| Current Limit ILIM to VDRP Gain in PSI | | | | 0.25 | | V/V |

Product parametric performance is indicated in the Electrical Characteristics for the listed test conditions, unless otherwise noted. Product performance may not be indicated by the Electrical Characteristics if operated under different conditions.

3. Guaranteed by design, may not be tested.

NCP81174

ELECTRICAL CHARACTERISTICS

($V_{VCC} = 5\text{ V}$, $V_{REFIN} = 1.0\text{ V}$, $V_{PSI} = 3.3\text{ V}$, typical values are referenced to $T_A = 25^\circ\text{C}$, Min and Max values are referenced to T_A from 0°C to 100°C , unless other noted.)

| Characteristics | Test Conditions | Symbol | Min | Typ | Max | Unit |
|-----------------|-----------------|--------|-----|-----|-----|------|
|-----------------|-----------------|--------|-----|-----|-----|------|

PROTECTION – OCP, OVP, UVP

| | | | | | | |
|--|---------------------------|--|---|------|-----|---------------|
| Current Limit ILIM Input Range | | | 0 | | 2.0 | V |
| Under Voltage Protection (UVP) Threshold | Relative to REFIN Voltage | | | 50% | | REFIN |
| Under Voltage Protection (UVP) Delay | | | | 5 | | μs |
| Over Voltage Protection (OVP) Threshold | Relative to REFIN Voltage | | | 150% | | REFIN |
| Over Voltage Protection (OVP) Threshold Clamping Voltage | | | | 2 | | V |
| Over Voltage Protection (OVP) Delay | | | | 5 | | us |

12VMON

| | | | | | | |
|-----------------------|--|--|------|------|-----|---|
| 12VMON Rising | | | | 0.94 | 1.0 | V |
| 12VMON Falling | | | 0.65 | 0.87 | | V |
| 12VMON Range (Note 3) | | | | | 4.0 | V |

PWM–VID BUFFER

| | | | | | | |
|--|-------------------------------------|-----------------|--|-----|-----|----|
| Buffer Output Rise Time | | T_r | | 3.0 | | ns |
| Buffer Output Fall Time | | T_f | | 3.0 | | ns |
| Rising and Falling Edge Delay (Note 3) | $\Delta T = T_r - T_f $ | ΔT | | | 0.5 | ns |
| Propagation Delay | $T_{pd} = T_{pHL} = T_{pLH}$ | T_{pd} | | 8.0 | | ns |
| Propagation Delay Error (Note 3) | $\Delta T_{pd} = T_{pHL} - T_{pLH}$ | ΔT_{pd} | | | 0.5 | ns |

REFIN

| | | | | | | |
|--------------------------------------|--|--|--|-----|--|---------------|
| REFIN Discharge Switch ON–Resistance | $I_{REFIN}(\text{sink}) = 2\text{ mA}$ | | | 6.0 | | Ω |
| REFIN Discharge Time (Note 3) | Measured from EN assertion | | | 100 | | μs |

Product parametric performance is indicated in the Electrical Characteristics for the listed test conditions, unless otherwise noted. Product performance may not be indicated by the Electrical Characteristics if operated under different conditions.

3. Guaranteed by design, may not be tested.

NCP81174

DETAILED DESCRIPTION

General

The NCP81174, a 4/3/2-phase synchronous buck controller with PWM VID interface in a QFN-32 package, provides a compact-footprint power management solution for new generation computing and graphic processors. It receives power saving input (PSI) from processors and operates in 1-phase forced PWM or diode emulation mode to obtain high efficiency in light-load conditions. It can either receive PWMVID from the processor to achieve dynamic voltage control or locally set the reference from an internal precise 2 V regulator. Operating in high switching frequency up to 1 MHz allows employing small size inductor and capacitors. Introduction of dual-edge current

mode multi-phase control results in fast transient response and good dynamic current balance.

Power Operation Modes

The NCP81174 has three power operation modes corresponding to PSI levels as shown in Table 1 and 2. The chip is compatible to different I/O systems. If the upstream controller has a 3.3 V or higher I/O interface, the configuration would follow Table 1, the ENABLE signal needs to be higher than 2.5 V to turn on the chip; If the upstream controller has a 1.8 V I/O interface, the configuration would follow Table 2, the ENABLE signal needs to be higher than 1.1 V only to turn on the chip. The operation mode can be changed on the fly.

Table 1. POWER SAVING INTERFACE (PSI) CONFIGURATIONS (3.3 V I/O, EN > 2.5 V)

| PSI Level | Power Mode | Phase Configuration |
|-----------------------------------|------------|-----------------------|
| High (PSI \geq 2.4 V) | PS0 | Full Phase, FCCM |
| Intermediate (0.8V < PSI < 2.4 V) | PS1 | 1-Phase, FCCM |
| Low (PSI \leq 0.8 V) | PS2 | 1-Phase, Auto CCM/DCM |

Table 2. POWER SAVING INTERFACE (PSI) CONFIGURATIONS (1.8 V I/O, 2.5 V > EN > 1.1 V)

| PSI Level | Power Mode | Phase Configuration |
|------------------------------------|------------|-----------------------|
| High (PSI \geq 1.4 V) | PS0 | Full Phase, FCCM |
| Intermediate (0.8 V < PSI < 1.4 V) | PS1 | 1-Phase, FCCM |
| Low (PSI \leq 0.8 V) | PS2 | 1-Phase, Auto CCM/DCM |

Remote Voltage Sense

A true differential amplifier allows the NCP81174 to measure Vcore voltage feedback with respect to the Vcore ground reference point by connecting the Vcore reference point to VSP, and the Vcore ground reference point to VSN. This configuration keeps ground potential differences between the local controller ground and the Vcore ground reference point from affecting regulation of Vcore between Vcore and Vcore ground reference points. The remote sensing amplifier also subtracts the REFIN (DAC) voltage, thereby producing an unamplified output error voltage at the DIFFOUT pin. This output also has a 1.3 V bias voltage as the floating ground to allow both positive and negative error voltages.

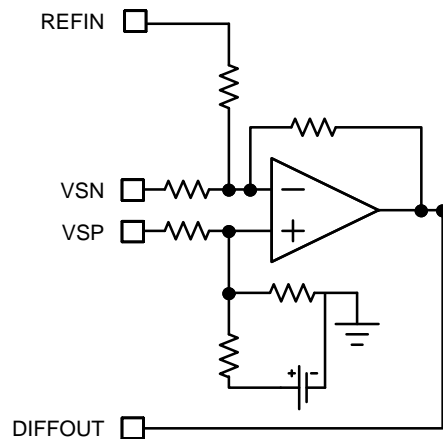


Figure 4. Voltage Remote Sense

Switching Frequency

The Rosc pin provides a 2.0 V reference voltage. The resistor connected to this pin will sink current from the pin to ground. This current is internally mirrored into a capacitor to create an oscillator. The period is proportional to the resistance and the frequency is inversely proportional to the total resistance. The total resistance may be estimated by equation 1. This equation is valid for the individual phase frequency in multi-phase mode PS0 and single phase mode PS1. In PS2, the frequency will be close to set frequency in CCM and scaled down with load current in DCM operation.

$$R_{osc} \cong 20947 \cdot F_{SW}^{-1.1262} \quad (\text{eq. 1})$$

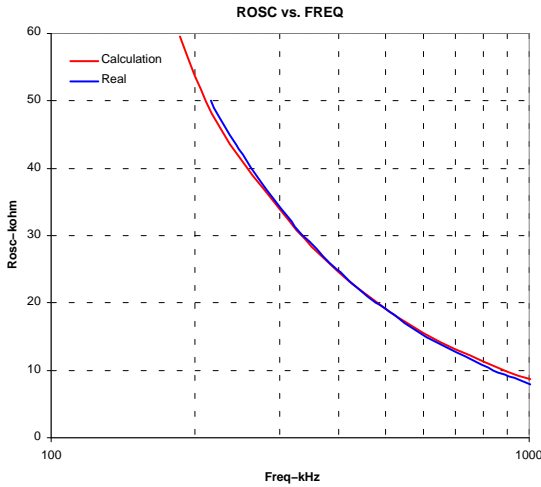


Figure 5. ROSC vs. Frequency

PWM VID

The NCP81174 receives the PWMVID signal from the upstream controller for the Vcore regulation. The signal is decoded internally and passed to the VID buffer output (VIDBUF), where the duty cycle is converted to a corresponding signal between 0 V and 2 V. The VIDBUF high level is derived from a precise 2.0 V reference voltage. The VIDBUF signal is then filtered through the external low pass filter constructed by R_REFADJ and C_REFIN. The filtered output is connected to the REFIN pin. The REFIN is the voltage reference of the Vcore regulator. The output voltage maximum, minimum, and also boot voltage can be calculated with below equations.

$$V_{max} = V_{ref} \cdot \frac{R_{VREF2}}{R_{VREF2} + (R_{VREF1} \parallel R_{REFADJ})} \quad (\text{eq. 2})$$

$$V_{min} = V_{ref} \cdot \frac{R_{VREF2} \parallel R_{REFADJ}}{R_{VREF1} + (R_{VREF2} \parallel R_{REFADJ})} \quad (\text{eq. 3})$$

$$V_{boot} = \frac{V_{max} + V_{min}}{2} \quad (\text{eq. 4})$$

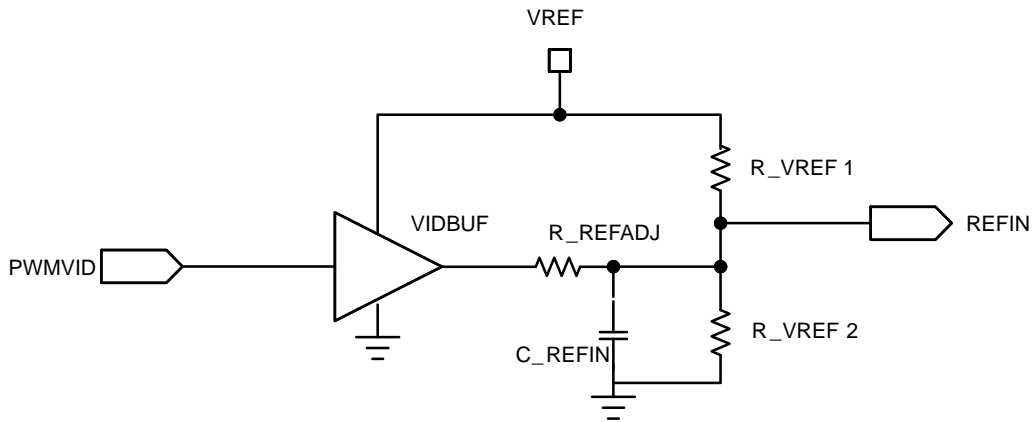


Figure 6. PWM VID Interface

The NCP81174 can decode both 1.8 V and 3.3 V PWMVID output levels. If the EN voltage input is more than 2.5 V, a 3.3 V PWMVID I/O is identified. If EN voltage is above 1.1 V (Overall chip enable threshold) but less than 2.5 V, a 1.8 V PWMVID I/O is assumed.

Soft Start

The NCP81174 has an internal controlled soft start function. The output starts to ramp up following a system reset period after the device is enabled. The device is able to

start up smoothly under an output pre-biased condition without discharging the output before ramping up.

Before the output soft start begins, an internal switch will be turned on to discharge the external filter cap C_REFIN connected to the REFIN pin to reset the DAC setting, the typical on resistance of the switch is around 6 Ω s. After the discharging, internal switch will be turned off to allow external C_REFIN cap to recharge. After 100 μ s, the output voltage ramps up with a fixed slew rate of 1.3 mV/ μ S.

The circuit can be set to start from either all the phases when the input power rails are all available or from phase 1 when only one input power rail is available by presetting the power mode from PSI pin (See Power Operation Modes).

5V Shunt Regulator

The NCP81174 has an internal shunt regulator to generate 5 V from the external power supply (e.g. 12 V). It is recommended to connect three 0603 resistors (450 Ω each) in parallel from a 12 V power supply to the VCC pin.

Thermal Compensation Amplifier with VDRP and VDFB pins

Thermal compensation amplifier is an internal amplifier in the path of droop current feedback for additional adjustment of the gain of summing current and temperature compensation. The way thermal compensation is implemented separately ensures minimum interference to the voltage loop compensation network.

PWM Comparators with Hysteresis and 3rd state of PWM Outputs

Four PWM comparators receive an error signal at their non-inverting input and one of the triangle waves at its inverting input. The output of each comparator generates the PWM outputs G1, G2, G3 and G4.

During the steady state operation, the duty cycle will center on the valley of the triangle waveform, with steady state duty cycle calculated by V_{out}/V_{in} . During a transient event, both high and low comparator output transitions shift phase to the points where the error signal intersects the down and up ramp of the triangle wave.

PWM signals vary between high and low in all phase operation or forced PWM mode. In power saving mode (PS2), PWM signals vary between high and mid level to allow diode emulation.

2/3/4 Phase Operation

Besides 4-phase, the part can be configured to run in 2 or 3-phase mode. In 2-phase mode, phase 1 and 3 should be used to drive the external gate drivers, gate outputs G2 and G4 should be grounded. In 3-phase mode, gate output G4 should be grounded. The current sense inputs of the unused channels should be connected to the Vcore output.

Differential Current Sense Amplifiers and Summing Amplifier

Four differential amplifiers are provided to sense the output current of each phase. The inputs of each current

sense amplifier must be connected across the current sensing element of the phase controlled by the corresponding gate output (G1, G2, G3, or G4). If a phase is unused, the differential inputs to that phase's current sense amplifier must be shorted together and connected to the output.

A voltage is generated across the current sense element (such as an inductor or sense resistor) by the current flowing in that phase. The outputs of four current amplifiers are fed into a summing amplifier to have a summed-up output (CSSUM). Signal of CSSUM combines information of total current of all phases in operation. The gain from the total sense current input to CSSUM (ACSSUM) is ~ 3.93 .

The output of the current sense amplifiers are used to control three functions. First, the output controls the adaptive voltage positioning, where the output voltage is actively controlled according to the output current. Second, the output signal is fed to the current limit circuit. This again is the summed current of all phases in operation. Finally, the individual phase current is connected to the PWM comparator. In this way current balance is accomplished.

Undervoltage Lockout (VCC UVLO) and 12VMON

VCC is constantly monitored for undervoltage lockout (UVLO). Line input (normally 12V) is monitored for undervoltage lockout through 12VMON pin by connecting an appropriate resistor divider from line input to the 12VMON input. The setting of the resistor divider should make the 12VMON voltage less than 4 V at all time. During power-up, both VCC and 12VMON will be monitored. Only after they exceed their individual UVLO thresholds, the full circuit will be activated and ready for soft start if the enable pin is also valid. Both UVLO comparators have hysteresis to avoid chattering. The second function of 12VMON pin is to provide feed-forward input voltage information in PS2 mode, see Power Operation Mode section.

Over Current Protection and Under Voltage Protection

A programmable overcurrent function is incorporated within the IC. The inverting input of the comparator is connected to the ILIM pin. The voltage at this pin (0~2 V) sets the maximum output current the converter can produce. The VREF pin provides a convenient and accurate reference voltage from which a resistor divider can create the overcurrent setpoint voltage. Although not actually disabled, tying the ILIM pin directly to the VREF pin sets the limit above useful levels – effectively disabling overcurrent shutdown. The comparator non-inverting input is the summed current information from the current sense amplifier. The overcurrent event will set PWM low for the rest of the cycle when the current information exceeds the voltage at the ILIM pin. If the overcurrent continuously happens and the output will eventually hit the Under Voltage Protection (UVP) limit and it will be a latched event. The UVP limit is set to 50% below the REFIN voltage. The PWM outputs will stay at mid state until the VCC voltage is removed and re-applied, or the ENABLE input is brought low and then high.

Over Voltage Protection

An output voltage monitor is incorporated. During normal operation, if the output voltage is 50% over the REFIN, the VR_RDY goes low, the DRVON signal remains high, and PWM outputs are set low. The limit will be clamped to 2 V

if 50% over REFIN creates a voltage above the 2 V. The outputs will remain disabled until the V_{CC} voltage is removed and reapplied, or the ENABLE input is brought low and then high.

DESIGN METHODOLOGY

Programming the Current Limit

The VREF pin provides a 2.0 V reference voltage which is divided down with a resistor divider (RLIM1/RLIM2) and fed into the current limit pin ILIM. The current limit function is based on the total sensed current of all phases multiplied by a controlled gain (Acssum*Adrp). DCR sensed inductor current is a function of the winding temperature. If not using thermal compensation, the best approach is to set the maximum current limit based on expected average maximum temperature of the inductor windings,

$$DCR_{Tmax} = DCR_{25} \cdot (1 + 0.00393 \cdot (T_{max} - 25)) \quad (eq. 5)$$

For multiphase controller, the ripple current can be calculated as,

$$I_{PP} = \frac{(V_{in} - N \cdot V_{out}) \cdot V_{out}}{L \cdot F_{SW} \cdot V_{in}} \quad (eq. 6)$$

Therefore calculate the current limit voltage as below,

$$V_{LIMI} \cong A_{CSSUM} \cdot A_{DRP} \cdot DCR_{TMAX} \cdot (I_{MIN_OCP} + 0.5 \cdot I_{PP}) \quad (eq. 7)$$

$$V_{LIMIT} \cong A_{CSSUM} \cdot A_{DRP} \cdot DCR_{TMAX} \cdot \left(I_{MIN_OCP} + 0.5 \cdot \frac{(V_{in} - N \cdot V_{out}) \cdot V_{out}}{L \cdot F_{SW} \cdot V_{in}} \right)$$

In Equation 7, A_{CSSUM} and A_{DRP} are the gain of current summing amplifier and droop amplifier.

$$I_{LIMIT(normal)} \cong \frac{2V \cdot R_{LIM2}}{R_{LIM1} + R_{LIM2}} \cdot \frac{3.93 \cdot \frac{R_{NOR} \cdot (R_{ISO1} + R_{ISO2} + R_{T2})}{(R_{NOR} \cdot R_{ISO1} + R_{ISO2} + R_{T2}) \cdot R_{SUM}} \cdot DCR_{25} \cdot (1 + 0.00393 \cdot (T_{inductor} - 25))}{-0.5 \cdot \frac{(V_{in} - V_{out}) \cdot V_{out}}{L \cdot F_{SW} \cdot V_{in}}} \quad (eq. 10)$$

$$I_{LIMIT(normal)} \cong \frac{\frac{2V \cdot R_{LIM2}}{R_{LIM1} + R_{LIM2}} \cdot COEpsi}{3.93 \cdot \frac{R_{NOR} \cdot (R_{ISO1} + R_{ISO2} + R_{T2})}{(R_{NOR} \cdot R_{ISO1} + R_{ISO2} + R_{T2}) \cdot R_{SUM}} \cdot DCR_{25} \cdot (1 + 0.00393 \cdot (T_{inductor} - 25)) - 0.5 \cdot \frac{(V_{in} - V_{out}) \cdot V_{out}}{L \cdot F_{SW} \cdot V_{in}}} \quad (eq. 11)$$

N is the number of phases involved in the circuit.

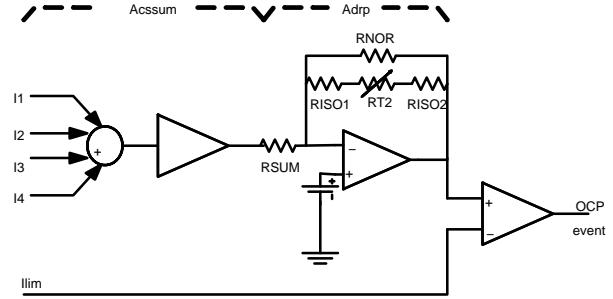


Figure 7. ACSSUM and ADRP

As introduced before, V_{LIMIT} comes from a resistor divider connected to VREF, thus

$$V_{LIMIT} = 2V \cdot \frac{R_{LIM2}}{R_{LIM2} + R_{LIM1}} \cdot COEpsi \quad (eq. 8)$$

$$A_{CSSUM} \cong -3.93$$

$$A_{DRP} = -\frac{R_{NOR} \cdot (R_{ISO1} + R_{ISO2} + R_{T2})}{(R_{NOR} + R_{ISO1} + R_{ISO2} + R_{T2}) \cdot R_{SUM}} \quad (eq. 9)$$

R_{ISO1} and R_{ISO2} are in series with R_{T2}, the NTC temperature sense resistor placed near inductor. R_{SUM} is the resistor connecting between pin VDFB and pin CSSUM. In PS0 mode, the current limit follows the Equation 10; In PS1 or PS2, the current limit calculation follows Equation 11, COEpsi is a coefficient for the current limiting related in power saving mode PS1, PS2. COEpsi value is one over the original phase count N. Refer to the PSI and phase shedding section for more details.

Inductor Current Sensing Compensation

The NCP81174 uses the inductor current sensing method. An RC filter is selected to cancel out the impedance from inductor and recover the current information through the inductor’s DCR. This is done by matching the RC time constant of the sensing filter to the L/DCR time constant. The first cut approach is to use a 0.1 uF capacitor for C and then solve for R.

$$R_{sense}(T) = \frac{L}{0.1 \cdot \mu F \cdot DCR_{25C} \cdot (1 + 0.00393 \cdot (T - 25))} \quad (eq. 12)$$

Because the inductor value is a function of load and inductor temperature final selection of R is best done experimentally on the bench by monitoring the VDRP pin and performing a step load test on the actual solution.

Compensation and Output Filter Design

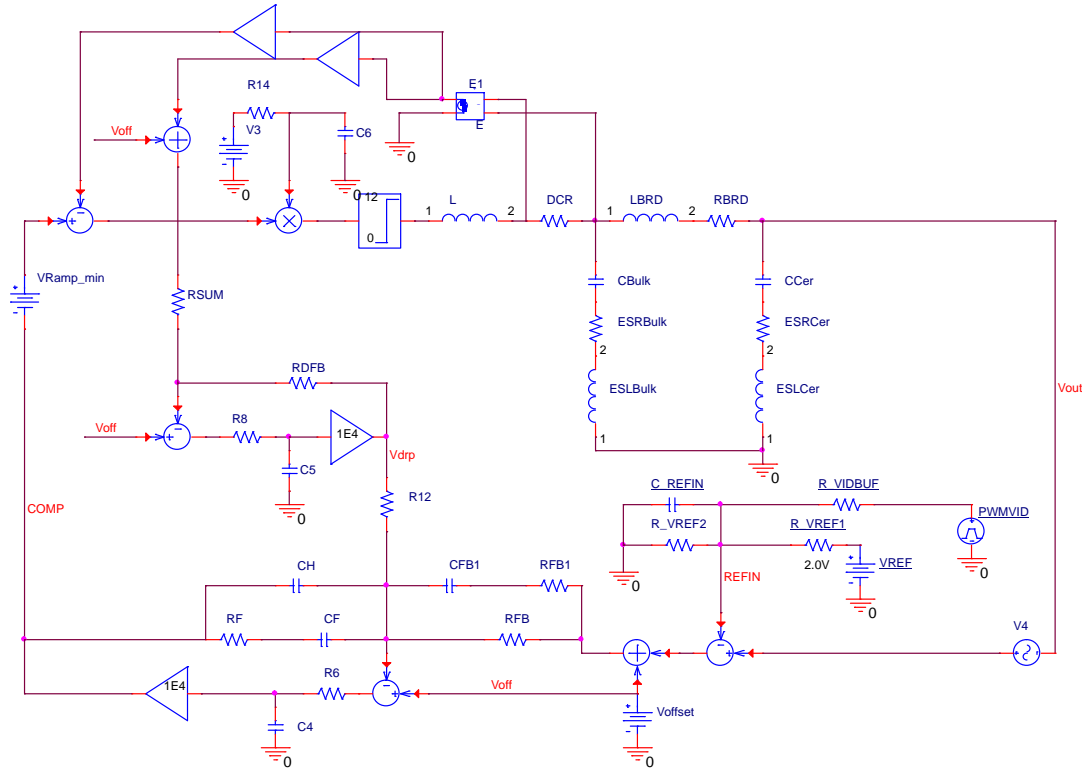


Figure 8. System Average Model

A simple state average model shown in Figure 8 can be used to assist the system design and determine a stable solution.

The goal is to compensate the system such that the resulting gain generates constant output impedance from DC up to the frequency where the ceramic takes over holding the impedance below the target output impedance. By matching the following equations a good set of starting compensation values can be found for a typical mixed bulk and ceramic capacitor type output filter.

$$\frac{1}{2\pi \cdot CF \cdot RF} = \frac{1}{2\pi \cdot (RBRD + ESRBulk) \cdot CBulk} \quad (eq. 13)$$

$$\frac{1}{2\pi \cdot CFB1 \cdot (RFB1 + RFB)} = \frac{1}{2\pi \cdot CCer \cdot (RBRD + ESRBulk)} \quad (eq. 14)$$

Droop Injection and Thermal Compensation

The VDRP signal is generated by summing the sensed output currents for each phase. A droop amplifier is added to adjust the total gain to approximately eight. VDRP is

externally summed into the feedback network by the resistor RDRP. This introduces an offset which is proportional to the output current thereby forcing a controlled, resistive output impedance.

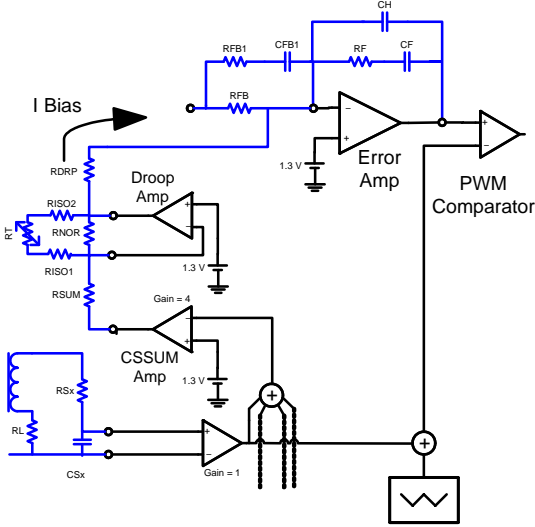


Figure 9. Droop Injection and Thermal Compensation

$$Z_{out}(T) = \frac{R_{FB} \cdot DCR_{25C} \cdot (1 + 0.00393 \cdot (T - 25)) \cdot A_{CSSUM} \cdot A_{DRP}}{R_{DRP}} \quad (\text{eq. 18})$$

By including the NTC RT2 and the series isolation resistors the new equation becomes:

$$Z_{out}(T) = \frac{R_{FB} \cdot DCR_{25C} \cdot (1 + 0.00393 \cdot (T - 25)) \cdot A_{CSSUM} \cdot \frac{R_{NOR} \cdot (R_{ISO1} + R_{ISO2} + R_{T2})}{(R_{NOR} + R_{ISO1} + R_{ISO2} + R_{T2}) \cdot R_{SUM}}}{R_{DRP}} \quad (\text{eq. 19})$$

The typical equation of an NTC is based on a curve fit Equation 20:

$$RT2(T) = RT2_{25C} \cdot e^{\beta \left[\left(\frac{1}{273 + T} \right) - \left(\frac{1}{298} \right) \right]} \quad (\text{eq. 20})$$

Figure 10 shows an example of the comparison of the compensated output impedance and uncompensated output impedance varying with temperature.

RDRP determines the target output impedance by the basic equation:

$$\frac{V_{out}}{I_{out}} = Z_{out} = \frac{R_{FB} \cdot DCR \cdot A_{CSSUM} \cdot A_{DRP}}{R_{DRP}} \quad (\text{eq. 15})$$

$$R_{DRP} = \frac{R_{FB} \cdot DCR \cdot A_{CSSUM} \cdot A_{DRP}}{Z_{out}} \quad (\text{eq. 16})$$

The value of the inductor's DCR is a function of temperature according to Equation 17:

$$DCR(T) = DCR_{25C} \cdot (1 + 0.00393 \cdot (T - 25)) \quad (\text{eq. 17})$$

Actual DCR increases by temperature. The system can be thermally compensated to cancel this effect to a great degree by adding an NTC in parallel with RNOR to reduce the droop gain as the temperature increases. The NTC device is nonlinear. Putting a resistor in series with the NTC helps make the device appear more linear with temperature. The series resistor is split and inserted on both sides of the NTC to reduce noise injection into the feedback loop. The recommended total value for RISO1 plus RISO2 is approximately 1.0 kΩ.

The output impedance varies with inductor temperature by the equation:

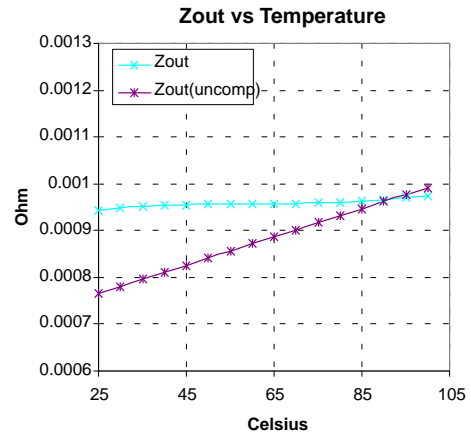


Figure 10. Zout vs. Temperature (10 kΩ NTC with a β value of 3740)

NCP81174

SYSTEM TIMING DIAGRAM

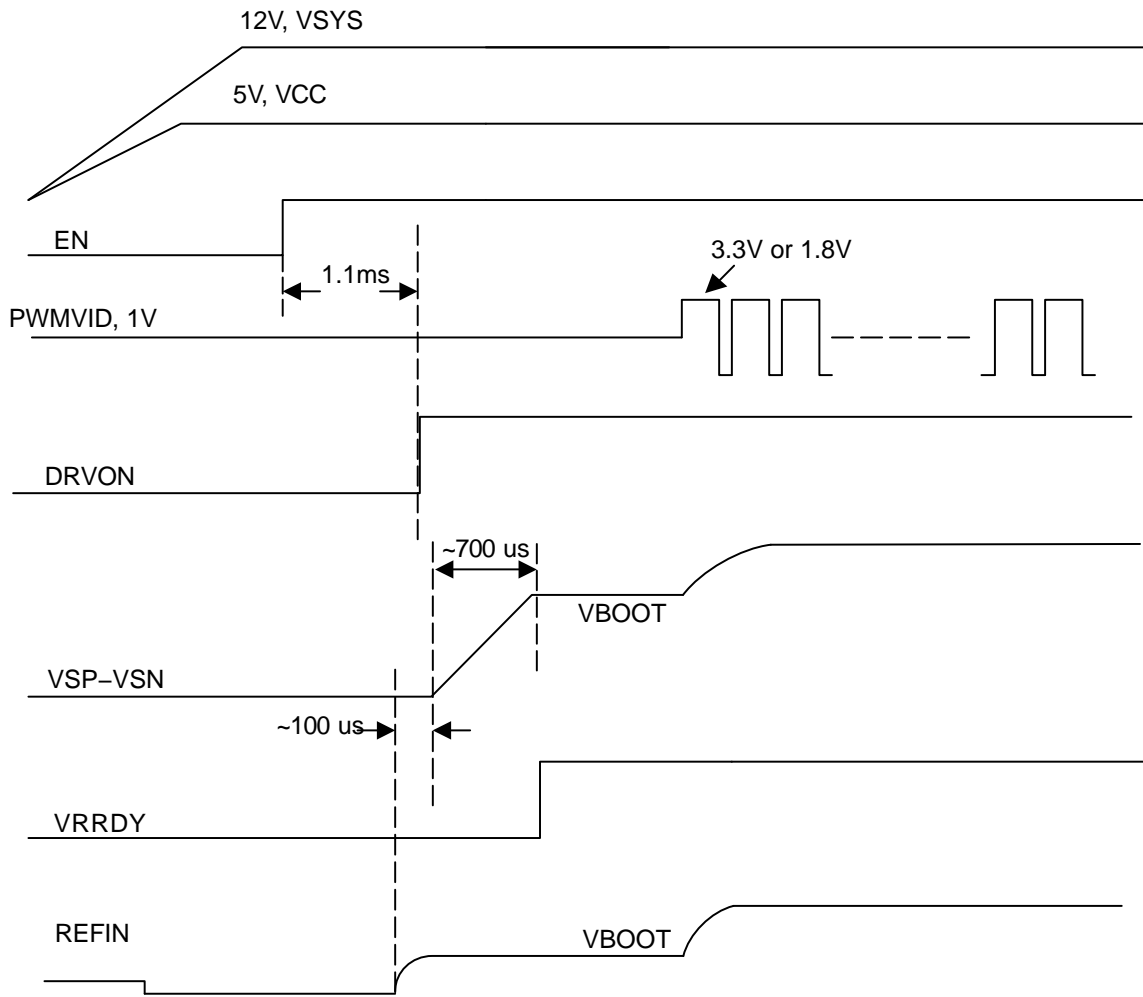


Figure 11. System Timing Diagram

MECHANICAL CASE OUTLINE

PACKAGE DIMENSIONS

ON Semiconductor®



1 32

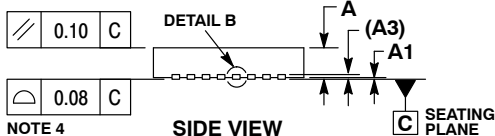
SCALE 2:1

QFN32 5x5, 0.5P
CASE 488AM
ISSUE A

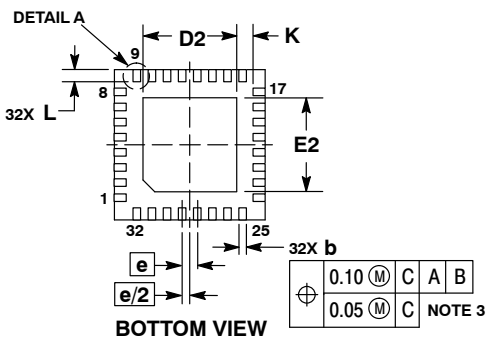
DATE 23 OCT 2013



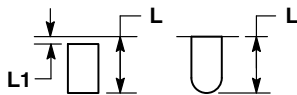
TOP VIEW



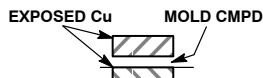
SIDE VIEW



BOTTOM VIEW



DETAIL A
ALTERNATE TERMINAL
CONSTRUCTIONS



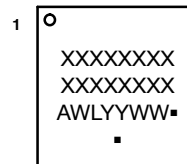
DETAIL B
ALTERNATE
CONSTRUCTION

NOTES:

1. DIMENSIONS AND TOLERANCING PER ASME Y14.5M, 1994.
2. CONTROLLING DIMENSION: MILLIMETERS.
3. DIMENSION b APPLIES TO PLATED TERMINAL AND IS MEASURED BETWEEN 0.15 AND 0.30MM FROM THE TERMINAL TIP.
4. COPLANARITY APPLIES TO THE EXPOSED PAD AS WELL AS THE TERMINALS.

| MILLIMETERS | | |
|-------------|------|------|
| DIM | MIN | MAX |
| A | 0.80 | 1.00 |
| A1 | --- | 0.05 |
| A3 | 0.20 | REF |
| b | 0.18 | 0.30 |
| D | 5.00 | BSC |
| D2 | 2.95 | 3.25 |
| E | 5.00 | BSC |
| E2 | 2.95 | 3.25 |
| e | 0.50 | BSC |
| K | 0.20 | --- |
| L | 0.30 | 0.50 |
| L1 | --- | 0.15 |

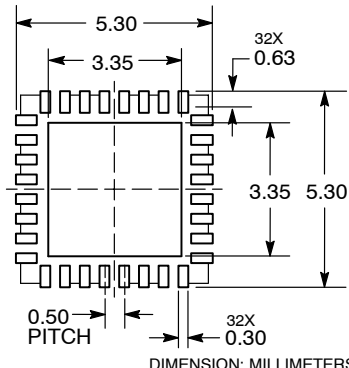
GENERIC MARKING DIAGRAM*



- XXXXXX = Specific Device Code
- A = Assembly Location
- WL = Wafer Lot
- YY = Year
- WW = Work Week
- = Pb-Free Package

(Note: Microdot may be in either location)
*This information is generic. Please refer to device data sheet for actual part marking.
Pb-Free indicator, "G" or microdot "▪", may or may not be present.

RECOMMENDED SOLDERING FOOTPRINT*



*For additional information on our Pb-Free strategy and soldering details, please download the ON Semiconductor Soldering and Mounting Techniques Reference Manual, SOLDERRM/D.

| | | |
|------------------|----------------|--|
| DOCUMENT NUMBER: | 98AON20032D | Electronic versions are uncontrolled except when accessed directly from the Document Repository. Printed versions are uncontrolled except when stamped "CONTROLLED COPY" in red. |
| DESCRIPTION: | QFN32 5x5 0.5P | PAGE 1 OF 1 |

ON Semiconductor and ON are trademarks of Semiconductor Components Industries, LLC dba ON Semiconductor or its subsidiaries in the United States and/or other countries. ON Semiconductor reserves the right to make changes without further notice to any products herein. ON Semiconductor makes no warranty, representation or guarantee regarding the suitability of its products for any particular purpose, nor does ON Semiconductor assume any liability arising out of the application or use of any product or circuit, and specifically disclaims any and all liability, including without limitation special, consequential or incidental damages. ON Semiconductor does not convey any license under its patent rights nor the rights of others.

onsemi, **Onsemi**, and other names, marks, and brands are registered and/or common law trademarks of Semiconductor Components Industries, LLC dba "**onsemi**" or its affiliates and/or subsidiaries in the United States and/or other countries. **onsemi** owns the rights to a number of patents, trademarks, copyrights, trade secrets, and other intellectual property. A listing of **onsemi**'s product/patent coverage may be accessed at www.onsemi.com/site/pdf/Patent-Marking.pdf. **onsemi** reserves the right to make changes at any time to any products or information herein, without notice. The information herein is provided "as-is" and **onsemi** makes no warranty, representation or guarantee regarding the accuracy of the information, product features, availability, functionality, or suitability of its products for any particular purpose, nor does **onsemi** assume any liability arising out of the application or use of any product or circuit, and specifically disclaims any and all liability, including without limitation special, consequential or incidental damages. Buyer is responsible for its products and applications using **onsemi** products, including compliance with all laws, regulations and safety requirements or standards, regardless of any support or applications information provided by **onsemi**. "Typical" parameters which may be provided in **onsemi** data sheets and/or specifications can and do vary in different applications and actual performance may vary over time. All operating parameters, including "Typicals" must be validated for each customer application by customer's technical experts. **onsemi** does not convey any license under any of its intellectual property rights nor the rights of others. **onsemi** products are not designed, intended, or authorized for use as a critical component in life support systems or any FDA Class 3 medical devices or medical devices with a same or similar classification in a foreign jurisdiction or any devices intended for implantation in the human body. Should Buyer purchase or use **onsemi** products for any such unintended or unauthorized application, Buyer shall indemnify and hold **onsemi** and its officers, employees, subsidiaries, affiliates, and distributors harmless against all claims, costs, damages, and expenses, and reasonable attorney fees arising out of, directly or indirectly, any claim of personal injury or death associated with such unintended or unauthorized use, even if such claim alleges that **onsemi** was negligent regarding the design or manufacture of the part. **onsemi** is an Equal Opportunity/Affirmative Action Employer. This literature is subject to all applicable copyright laws and is not for resale in any manner.

ADDITIONAL INFORMATION

TECHNICAL PUBLICATIONS:

Technical Library: www.onsemi.com/design/resources/technical-documentation
onsemi Website: www.onsemi.com

ONLINE SUPPORT: www.onsemi.com/support

For additional information, please contact your local Sales Representative at www.onsemi.com/support/sales