

# Dual CAN FD Transceiver, High Speed, Low Power

## NCV7446

### Description

NCV7446 is a dual CAN FD physical layer transceiver. It allows interfacing of two independent CAN physical buses and two independent CAN protocol controllers. The transceivers provide differential transmit capability to the bus and differential receive capability to the CAN controllers.

It is consisted of two fully independent NCV7344 transceivers. The NCV7446 guarantees additional timing parameters to ensure robust communication at data rates beyond 1 Mbps to cope with CAN flexible data rate requirements (CAN FD). These features make the NCV7446 an excellent choice for all types of HS-CAN networks, in nodes that require a low-power mode with wake-up capability via the CAN bus.

### Features

- Compliant with the ISO 11898-2:2016
- CAN FD Timing Specified up to 5 Mbps
- Very Low Current Standby Mode with Wake-up via the Bus
- Low Electromagnetic Emission (EME) and High Electromagnetic Immunity
- No Disturbance of the Bus Lines with an Un-powered Node
- Transmit Data (TxD) Dominant Timeout Function
- Under All Supply Conditions the Chip Behaves Predictably
- Very High ESD Robustness of Bus Pins
- Thermal Protection
- Bus Pins Short Circuit Proof to Supply Voltage and Ground
- Bus Pins Protected Against Transients in an Automotive Environment

### Quality

- Wettable Flank Package for Enhanced Optical Inspection
- AEC-Q100 Qualified and PPAP Capable
- These Devices are Pb-Free, Halogen Free/BFR Free and are RoHS Compliant

### Typical Applications

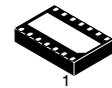
- Automotive
- Industrial Networks



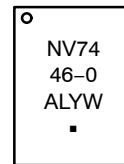
**ON Semiconductor®**

[www.onsemi.com](http://www.onsemi.com)

### MARKING DIAGRAM



DFNW14  
CASE 507AC



NV7446-0 = Specific Device Code

A = Assembly Site

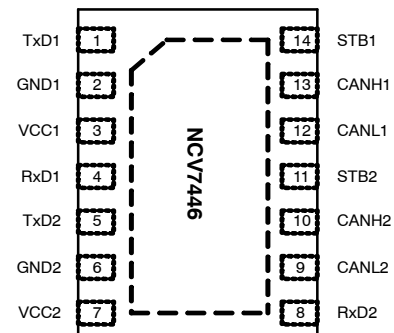
L = Wafer Lot

Y = Year of Production, Last Number

W = Work Week Number

▪ = Pb-Free Package

### PIN CONNECTIONS



### ORDERING INFORMATION

See detailed ordering and shipping information in the package dimensions section on page 12 of this data sheet.

# NCV7446

## BLOCK DIAGRAM

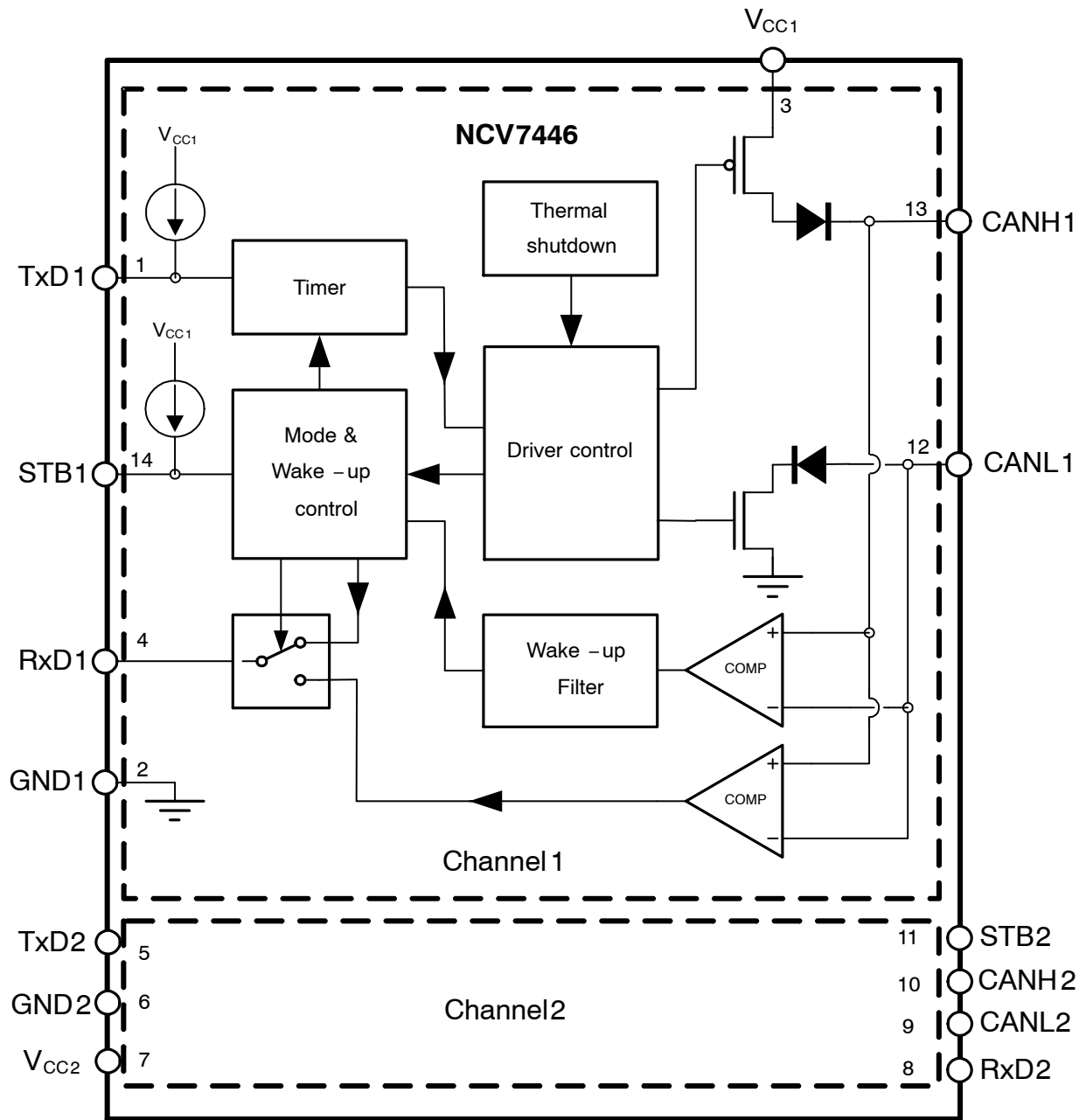


Figure 1. NCV7446 Block Diagram

# NCV7446

## TYPICAL APPLICATION DIAGRAM

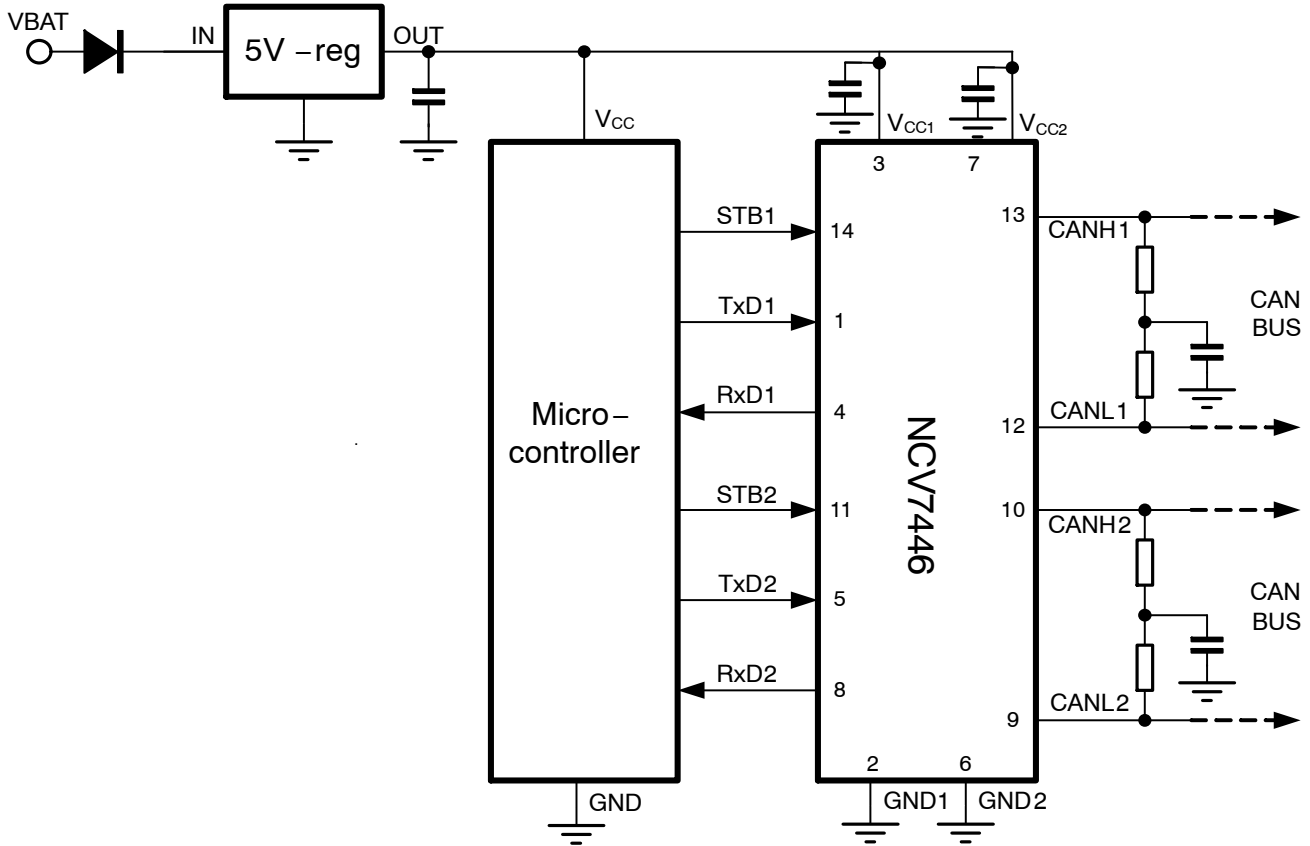


Figure 2. NCV7446 Application Diagram

Table 1. PIN FUNCTION DESCRIPTION

Pin Number	Pin Name	Description
1	TxD1	Transmit data input for channel 1; low input → dominant driver; internal pull-up current
2	GND1	Ground for channel 1
3	V <sub>CC1</sub>	Supply voltage for channel 1
4	RxD1	Receive data output for channel 1; dominant transmitter → low output
5	TxD2	Transmit data input for channel 2; low input → dominant driver; internal pull-up current
6	GND2	Ground for channel 2
7	V <sub>CC2</sub>	Supply voltage for channel 2
8	RxD2	Receive data output for channel 2; dominant transmitter → low output
9	CANL2	Low-level CAN bus line channel 2 (low in dominant mode)
10	CANH2	High-level CAN bus line channel 2 (high in dominant mode)
11	STB2	Standby mode control input for channel 2; internal pull-up current
12	CANL1	Low-level CAN bus line channel 1 (low in dominant mode)
13	CANH1	High-level CAN bus line channel 1 (high in dominant mode)
14	STB1	Standby mode control input for channel 1; internal pull-up current
EP	Exposed Pad	Recommended to connect to GND or left floating in application

FUNCTIONAL DESCRIPTION

Operating Modes

NCV7446 provides two modes of operation per transceiver as illustrated in Table 2. These modes are selectable through pins STB1 and STB2 independently for each transceiver.

Table 2. OPERATING MODES

Pins STBx	Mode	Pins RxDx	
Low	Normal	Low when bus dominant	High when bus recessive
High	Standby	Follows the bus when wake-up detected	High when no wake-up request detected

Normal Mode

In the normal mode, the selected transceiver is able to communicate via the bus lines. The signals are transmitted and received to the CAN controller via the pins TxDx and RxDx. The slopes on the bus lines outputs are optimized to give low EME.

Standby Mode

In standby mode both the transmitter and receiver are disabled and a very low-power differential receiver monitors the bus lines for CAN bus activity. The bus lines are biased to ground and supply current is reduced to a minimum. When a wake-up request is detected by the low-power differential receiver, the signal is first filtered and then verified as a valid wake signal after a time period of  $t_{wake\_filt}$ , the corresponding RxDx pin is driven low by the transceiver (following the bus) to inform the controller of the wake-up request.

Wake-up

When a valid wake-up pattern (phase in order dominant – recessive – dominant) is detected during the standby mode the RxDx pins follows the bus. Minimum length of each phase is  $t_{wake\_filt}$  – see Figure 3.

Pattern must be received within  $t_{wake\_to}$  to be recognized as valid wake-up otherwise internal logic is reset.

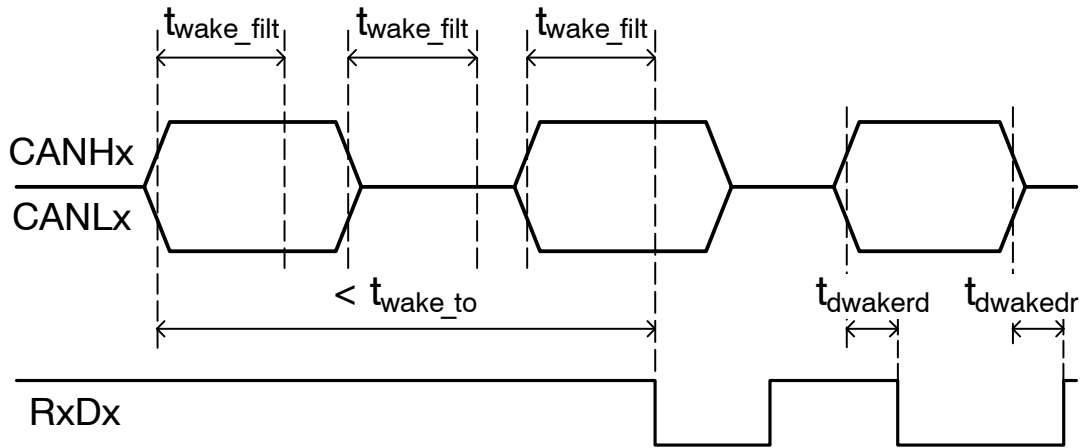


Figure 3. NCV7446 Wake-up behavior

## Overtemperature Detection

A thermal protection circuit protects the IC from damage by switching off the affected transmitter if the junction temperature exceeds a value of approximately 170°C. Because the transmitter dissipates most of the power, the power dissipation and temperature of the IC is reduced. All other IC functions continue to operate. The transmitter off-state resets when the temperature decreases below the shutdown threshold and pins TxDx goes high. The thermal protection circuit is particularly needed when a bus line short circuits.

## TxDx Dominant Timeout Function

A TxD dominant timeout timer circuit prevents the bus lines being driven to a permanent dominant state (blocking all network communication) if pins TxDx are forced permanently low by a hardware and/or software application failure. The timer is triggered by a negative edge on pins TxDx. If the duration of the low-level on pins TxDx exceeds the internal timer value  $t_{\text{dom(TxD)}}$ , the transmitter is disabled, driving the bus into a recessive state. The timer is reset by a positive edge on pins TxDx.

This TxD dominant timeout time  $t_{\text{dom(TxD)}}$  defines the minimum possible bit rate to 17 kbps.

## Fail Safe Features

A current-limiting circuit protects the transmitter output stage from damage caused by accidental short circuit to either positive or negative supply voltage, although power dissipation increases during this fault condition.

Undervoltage on V<sub>CC1</sub> or V<sub>CC2</sub> pins prevents the chip sending data on the bus when there is not enough V<sub>CC</sub> supply voltage.

After supply is recovered, corresponding TxD pin must be first released to high to allow sending dominant bits again. Recovery time from undervoltage detection is equal to  $t_{\text{d(stb-nm)}}$  time.

The pins CANHx and CANLx are protected from automotive electrical transients (according to ISO 7637; see Figure 5). Pins TxDx and STBx are pulled high internally should the input become disconnected. Pins TxDx, STBx and RxDx will be floating, preventing reverse supply should the adjacent V<sub>CCx</sub> supply be removed.

**ELECTRICAL CHARACTERISTICS**

**Definitions**

All voltages are referenced to GNDx (pin 2 or pin 6). Positive currents flow into the IC. Sinking current means the

current is flowing into the pin; sourcing current means the current is flowing out of the pin.

**Table 3. ABSOLUTE MAXIMUM RATINGS**

Symbol	Parameter	Conditions	Min	Max	Unit
V <sub>SUP</sub>	Supply voltage V <sub>CC1</sub> , V <sub>CC2</sub>		-0.3	+6	V
V <sub>CANH</sub>	DC voltage at pins CANHx	0 < V <sub>CCX</sub> < 5.25 V; no time limit	-42	+42	V
V <sub>CANL</sub>	DC voltage at pins CANLx	0 < V <sub>CCX</sub> < 5.25 V; no time limit	-42	+42	V
V <sub>CANH-CANL</sub>	DC voltage between any two pins (including CANHx and CANLx)		-42	+42	V
V <sub>IN</sub>	DC Voltage at pins TxDx, STBx		-0.3	+6	V
V <sub>OUT</sub>	DC Voltage at pin RxDx		-0.3	V <sub>CCx</sub> + 0.3	V
V <sub>esdBHM</sub>	Electrostatic discharge voltage at all pins, Component HBM	(Note 1)	-8	+8	kV
V <sub>esdCDM</sub>	Electrostatic discharge voltage at all pins, Component CDM	(Note 2)	-750	+750	V
V <sub>esdIEC</sub>	Electrostatic discharge voltage at pins CANHx and CANLx, System HBM (Note 4)	Without bus filter (Note 3)	-7	+7	kV
		With bus filter (Note 3)	-11	+11	kV
V <sub>scaff</sub>	Voltage transients, pins CANHx, CANLx. According to ISO7637-3, Class C (Note 4)	test pulses 1	-100		V
		test pulses 2a		+75	V
		test pulses 3a	-150		V
		test pulses 3b		+100	V
Latch-up	Static latch-up at all pins	(Note 5)		150	mA
T <sub>stg</sub>	Storage temperature		-55	+150	°C
T <sub>J</sub>	Maximum junction temperature		-40	+170	°C
MSL	Moisture Sensitivity Level		1		-
T <sub>SLD</sub>	Lead temperature Soldering – Reflow (Note 11)		-	260	°C

Stresses exceeding those listed in the Maximum Ratings table may damage the device. If any of these limits are exceeded, device functionality should not be assumed, damage may occur and reliability may be affected.

- Standardized human body model electrostatic discharge (ESD) pulses in accordance to EIA-JESD22. Equivalent to discharging a 100 pF capacitor through a 1.5 kΩ resistor.
- Standardized charged device model ESD pulses when tested according to AEC-Q100-011.
- System human body model electrostatic discharge (ESD) pulses in accordance to IEC 61000-4-2. Equivalent to discharging a 150 pF capacitor through a 330 Ω resistor referenced to GNDx.
- Results were verified by external test house.
- Static latch-up immunity: Static latch-up protection level when tested according to EIA/JESD78.
- For information, please refer to our Soldering and Mounting Techniques Reference Manual, SOLDERRM/D

**Table 4. THERMAL CHARACTERISTICS**

Symbol	Parameter	Conditions	Value	Unit
R <sub>θJA_1</sub>	Thermal Resistance Junction-to-Air, JEDEC 1S0P PCB	Free air; (Note 8)	101	K/W
R <sub>θJA_2</sub>	Thermal Resistance Junction-to-Air, JEDEC 2S2P PCB	Free air; (Note 9)	53	K/W
R <sub>θJA_3</sub>	Thermal Resistance Junction-to-Air	Free air; (Note 10)	76	K/W
R <sub>θJA_4</sub>	Thermal Resistance Junction-to-Air	Free air; (Note 11)	46	K/W

- Refer to ELECTRICAL CHARACTERISTICS, RECOMMENDED OPERATING RANGES and/or APPLICATION INFORMATION for Safe Operating parameters.
- Test board according to EIA/JEDEC Standard JESD51-3, signal layer with 10% trace coverage.
- Test board according to EIA/JEDEC Standard JESD51-7, signal layers with 10% trace coverage.
- Test board according to EIA/JEDEC Standard JESD51-3 and JESD51-5, signal layer with 10% trace coverage and with thermal via array under the exposed pad connected to the second copper layer.
- Test board according to EIA/JEDEC Standard JESD51-5 and JESD51-7, signal layers with 10% trace coverage and thermal via array under the exposed pad connected to the first inner copper layer.

# NCV7446

**Table 5. ELECTRICAL CHARACTERISTICS**
 $V_{CC1}, V_{CC2} = 4.75\text{ V to }5.25\text{ V}; T_J = -40^\circ\text{C to }+150^\circ\text{C}; R_{LT} = 60\ \Omega, C_{LT} = 100\ \text{pF}, C_1\ \text{not used}, C_{RxD} = 15\ \text{pF},$  unless specified otherwise.

Symbol	Parameter	Conditions	Min	Typ	Max	Unit
--------	-----------	------------	-----	-----	-----	------

**SUPPLY (PINS  $V_{CCx}$ )**

$V_{CCx}$	Power supply voltage	(Note 12)	4.75	5.0	5.25	V
$I_{CCx}$	Supply current on <b>single</b> channel	Dominant; $V_{TxDx} = \text{Low}$	20	45	55	mA
		Recessive; $V_{TxDx} = \text{Low}$	1.9	5.0	10	mA
		Normal mode, Dominant; $V_{TxDx} = 0\text{ V}$ ; one of bus wires shorted; $-3\text{ V} \leq (V_{CANHx}, V_{CANLx}) \leq +18\text{ V}$	2.0	–	105	mA
$I_{CCSx}$	Supply current in standby mode on <b>single</b> channel	$T_J \leq 100^\circ\text{C}$ , (Note 13)	–	10	15	$\mu\text{A}$
$V_{UVD(VCC)(stby)}$	Standby undervoltage detection $V_{CCx}$ pins		3.5	4.0	4.3	V
$V_{UVD(VCC)(swoff)}$	Switch-off undervoltage detection $V_{CCx}$ pins		2.0	2.3	2.6	V

**TRANSMITTER DATA INPUT (Pins  $TxDx$ )**

$V_{IH}$	High-level input voltage	Output recessive	2.0	–	–	V
$V_{IL}$	Low-level input voltage	Output dominant	–	–	+0.8	V
$I_{IH}$	High-level input current	$V_{TxDx} = V_{CCx}$	–5.0	0	+5.0	$\mu\text{A}$
$I_{IL}$	Low-level input current	$V_{TxDx} = 0\text{ V}$	–300	–150	–70	$\mu\text{A}$
$C_i$	Input capacitance	(Note 13)	–	5	10	pF

**TRANSMITTER MODE SELECT (Pins  $STBx$ )**

$V_{IH}$	High-level input voltage	Standby mode	2.0	–	–	V
$V_{IL}$	Low-level input voltage	Normal mode	–	–	+0.8	V
$I_{IH}$	High-level input current	$V_{STBx} = V_{CCx}$	–1.0	0	+1.0	$\mu\text{A}$
$I_{IL}$	Low-level input current	$V_{STBx} = 0\text{ V}$	–15	–	–1.0	$\mu\text{A}$
$C_i$	Input capacitance	(Note 13)	–	5	10	pF

**RECEIVER DATA OUTPUT (Pins  $RxDx$ )**

$I_{OH}$	High-level output current	Normal mode $V_{RxDx} = V_{CCx} - 0.4\text{ V}$	–8.0	–3.0	–1.0	mA
$I_{OL}$	Low-level output current	$V_{RxDx} = 0.4\text{ V}$	1.0	6.0	12	mA

**BUS LINES (Pins  $CANHx$  and  $CANLx$ )**

$I_{o(rec)}$	Recessive output current at pins $CANHx$ and $CANLx$	–27 V < $V_{CANHx}, V_{CANLx}$ < +32 V; Normal mode	–5.0	–	+5.0	mA
$I_{LI}$	Input leakage current	$0\ \Omega < R(V_{CCx}\ \text{to}\ \text{GNDx}) < 1\ \text{M}\Omega$ ; $V_{CANLx} = V_{CANHx} = 5\text{ V}$	–5.0	0	+5.0	$\mu\text{A}$
$V_{o(rec)(CANH)}$	Recessive output voltage at pins $CANHx$	Normal mode, $V_{TxDx} = \text{High}$ ; $R_{LT}$ and $C_{LT}$ not used	2.0	2.5	3.0	V
$V_{o(rec)(CANL)}$	Recessive output voltage at pins $CANLx$	Normal mode, $V_{TxDx} = \text{High}$ ; $R_{LT}$ and $C_{LT}$ not used	2.0	2.5	3.0	V
$V_{o(off)(CANH)}$	Recessive output voltage at pin $CANHx$	Standby mode; $R_{LT}$ and $C_{LT}$ not used	–0.1	–	+0.1	V
$V_{o(off)(CANL)}$	Recessive output voltage at pin $CANLx$	Standby mode; $R_{LT}$ and $C_{LT}$ not used	–0.1	–	+0.1	V
$V_{o(off)(CANL)}$	Differential bus output voltage ( $V_{CANHx} - V_{CANLx}$ )	Standby mode; $R_{LT}$ and $C_{LT}$ not used	–0.2	–	+0.2	V
$V_{o(dom)(CANH)}$	Dominant output voltage at pins $CANHx$	$V_{TxDx} = 0\text{ V}$ ; $t < t_{dom}(TxD)$ ; $50\ \Omega < R_{LT} < 65\ \Omega$	2.75	3.5	4.5	V
$V_{o(dom)(CANL)}$	Dominant output voltage at pins $CANLx$	$V_{TxDx} = 0\text{ V}$ ; $t < t_{dom}(TxD)$ ; $50\ \Omega < R_{LT} < 65\ \Omega$	0.5	1.5	2.25	V

# NCV7446

**Table 5. ELECTRICAL CHARACTERISTICS**
 $V_{CC1}, V_{CC2} = 4.75\text{ V to }5.25\text{ V}; T_J = -40^\circ\text{C to }+150^\circ\text{C}; R_{LT} = 60\ \Omega, C_{LT} = 100\ \text{pF}, C_1$  not used,  $C_{RxD} = 15\ \text{pF}$ , unless specified otherwise.

Symbol	Parameter	Conditions	Min	Typ	Max	Unit
<b>BUS LINES (Pins CANHx and CANLx)</b>						
$V_{o(dom)(diff)}$	Differential bus output voltage ( $V_{CANHx} - V_{CANLx}$ )	$V_{TxDx} = 0\text{ V}$ ; dominant; $45\ \Omega < R_{LT} < 65\ \Omega$	1.5	2.25	3.0	V
$V_{o(rec)(diff)}$	Differential bus output voltage ( $V_{CANHx} - V_{CANLx}$ )	$V_{TxDx} = \text{High}$ ; recessive; no load	-50	0	+50	mV
$V_{o(dom)(diff\_arb)}$	Differential bus output voltage during arbitration ( $V_{CANHx} - V_{CANLx}$ )	$R_{LT} = 2.24\text{k}\Omega$ (Note 13)	1.5	-	5.0	V
$V_{o(dom)(sym)}$	Dominant output voltage driver symmetry ( $V_{CANHx} + V_{CANLx}$ )	$R_{LT} = 60\ \Omega$ ; $C_1 = 4.7\ \text{nF}$ ; $C_{LT}$ not used; $TxDx = \text{square wave up to }1\ \text{MHz}$	0.9	1.0	1.1	$V_{CCx}$
$I_{o(sc)(CANH)}$	Short circuit output current at pins CANHx	$-3\text{ V} < V_{CANHx} < +18\text{ V}$	-100	-	1.5	mA
$I_{o(sc)(CANL)}$	Short circuit output current at pins CANLx	$-3\text{ V} < V_{CANLx} < +36\text{ V}$	-1.5	-	100	mA
$V_{i(rec)(diff\_NM)}$	Differential input voltage range recessive state	Normal mode; $-12\text{ V} \leq V_{CANHx}$ ; $V_{CANLx} \leq +12\text{ V}$ ; no load	-3.0	-	0.5	V
$V_{i(rec)(diff\_LP)}$		Standby mode; $-12\text{ V} \leq V_{CANHx}$ ; $V_{CANLx} \leq +12\text{ V}$ ; no load	-3.0	-	0.4	V
$V_{i(dom)(diff\_NM)}$	Differential input voltage range dominant state	Normal mode; $-12\text{ V} \leq V_{CANHx}$ ; $V_{CANLx} \leq +12\text{ V}$ ; no load	0.9	-	8.0	V
$V_{i(dom)(diff\_LP)}$		Standby mode; $-12\text{ V} \leq V_{CANHx}$ ; $V_{CANLx} \leq +12\text{ V}$ ; no load	1.05	-	8.0	V
$V_{i(diff)(th\_NORM)}$	Differential receiver threshold voltage in normal mode	$-12\text{ V} \leq V_{CANLx} \leq +12\text{ V}$ ; $-12\text{ V} \leq V_{CANHx} \leq +12\text{ V}$	0.5	-	0.9	V
$V_{i(diff)(th\_NORM\_H)}$	Differential receiver threshold voltage in normal mode, extended range	$-30\text{ V} < V_{CANLx} < +35\text{ V}$ ; $-30\text{ V} < V_{CANHx} < +35\text{ V}$	0.4	-	1.0	V
$V_{i(diff)(th\_STDBY)}$	Differential receiver threshold voltage in standby mode	$-12\text{ V} \leq V_{CANLx} \leq +12\text{ V}$ ; $-12\text{ V} \leq V_{CANHx} \leq +12\text{ V}$	0.4	-	1.05	V
$R_{i(cm)(CANH)}$	Common-mode input resistance at pin CANHx	$-2\text{ V} \leq V_{CANLx} \leq +7\text{ V}$ ; $-2\text{ V} \leq V_{CANHx} \leq +7\text{ V}$	15	26	37	k $\Omega$
$R_{i(cm)(CANL)}$	Common-mode input resistance at pin CANLx	$-2\text{ V} \leq V_{CANLx} \leq +7\text{ V}$ ; $-2\text{ V} \leq V_{CANHx} \leq +7\text{ V}$	15	26	37	k $\Omega$
$R_{i(cm)(m)}$	Matching between pin CANHx and pin CANLx common mode input resistance	$V_{CANHx} = V_{CANLx} = +5\text{ V}$	-1	0	+1	%
$R_{i(diff)}$	Differential input resistance	$-2\text{ V} \leq V_{CANLx} \leq +7\text{ V}$ ; $-2\text{ V} \leq V_{CANHx} \leq +7\text{ V}$	25	50	75	k $\Omega$
$C_{i(CANH)}$	Input capacitance at pins CANHx	$V_{TxDx} = \text{High}$ ; (Note 13)	-	4.5	20	pF
$C_{i(CANL)}$	Input capacitance at pins CANLx	$V_{TxDx} = \text{High}$ ; (Note 13)	-	4.5	20	pF
$C_{i(diff)}$	Differential input capacitance	$V_{TxDx} = \text{High}$ ; (Note 13)	-	3.75	10	pF

**THERMAL SHUTDOWN**

$T_{J(sd)}$	Shutdown junction temperature per channel	Junction temperature rising	160	180	200	$^\circ\text{C}$

**TIMING CHARACTERISTICS (see Figure 4 and Figure 6)**

$t_d(TxD-BUSon)$	Delay $TxDx$ to bus active		-	75	-	ns
$t_d(TxD-BUSoff)$	Delay $TxDx$ to bus inactive		-	85	-	ns
$t_d(BUSon-RxD)$	Delay bus active to $RxDx$		-	24	-	ns
$t_d(BUSoff-RxD)$	Delay bus inactive to $RxDx$		-	32	-	ns
$t_{pd\_dr}$	Propagation delay $TxDx$ to $RxDx$ dominant to recessive transition		50	100	210	ns



**Table 5. ELECTRICAL CHARACTERISTICS**

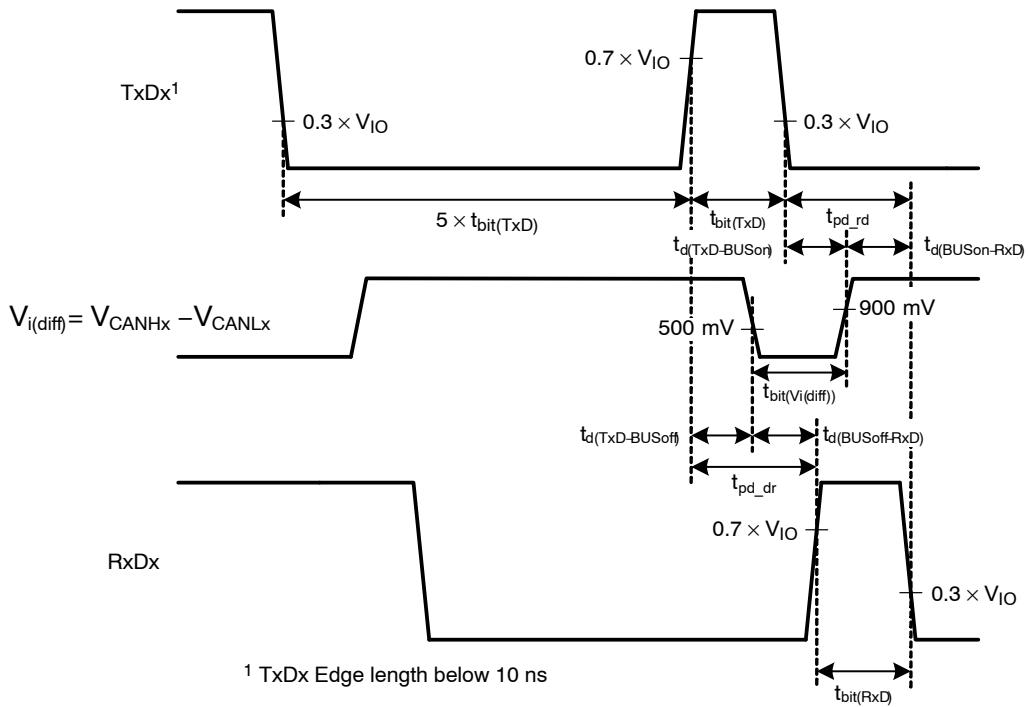
V<sub>CC1</sub>, V<sub>CC2</sub> = 4.75 V to 5.25 V; T<sub>J</sub> = -40°C to +150°C; R<sub>LT</sub> = 60 Ω, C<sub>LT</sub> = 100 pF, C<sub>1</sub> not used, C<sub>RxD</sub> = 15 pF, unless specified otherwise.

Symbol	Parameter	Conditions	Min	Typ	Max	Unit
<b>TIMING CHARACTERISTICS (see Figure 4 and Figure 6)</b>						
t <sub>pd_rd</sub>	Propagation delay TxDx to RxDx recessive to dominant transition		50	120	210	ns
t <sub>d(stb-nm)</sub>	Delay standby mode to normal mode		5.0	11	20	μs
t <sub>wake_filt</sub>	Dominant time for wake-up via bus		0.5	-	5.0	μs
t <sub>dwakerd</sub>	Delay to flag wake event (recessive to dominant transitions)	Valid bus wake-up event	0.5	2.6	6.0	μs
t <sub>dwakedr</sub>	Delay to flag wake event (dominant to recessive transitions)	Valid bus wake-up event	0.5	2.6	6.0	μs
t <sub>wake_to</sub>	Bus time for wake-up timeout	Standby mode	1.0	-	10	ms
t <sub>dom(TxD)</sub>	TxDx dominant time for timeout	V <sub>TxDx</sub> = 0 V; Normal mode	1.0	-	10	ms
t <sub>Bit(RxD)</sub>	Bit time on RxDx pin	t <sub>Bit(TxD)</sub> = 500 ns	400	-	550	ns
		t <sub>Bit(TxD)</sub> = 200 ns	120	-	220	ns
t <sub>Bit(Vi(diff))</sub>	Bit time on bus (CANHx – CANLx pin)	t <sub>Bit(TxD)</sub> = 500 ns	435	-	530	ns
		t <sub>Bit(TxD)</sub> = 200 ns	155	-	210	ns
Δt <sub>Rec</sub>	Receiver timing symmetry Δt <sub>Rec</sub> = t <sub>Bit(RxD)</sub> - t <sub>Bit(Vi(diff))</sub>	t <sub>Bit(TxD)</sub> = 500 ns	-65	-	+40	ns
		t <sub>Bit(TxD)</sub> = 200 ns	-45	-	+15	ns

12. In the range of 4.5 V to 4.75 V and from 5.25 V to 5.5 V the chip is fully functional; some parameters may be outside of the specification.

13. Values based on design and characterization, not tested in production.

**MEASUREMENT SETUPS AND DEFINITIONS**



**Figure 4. Transceiver Timing Diagram**

# NCV7446

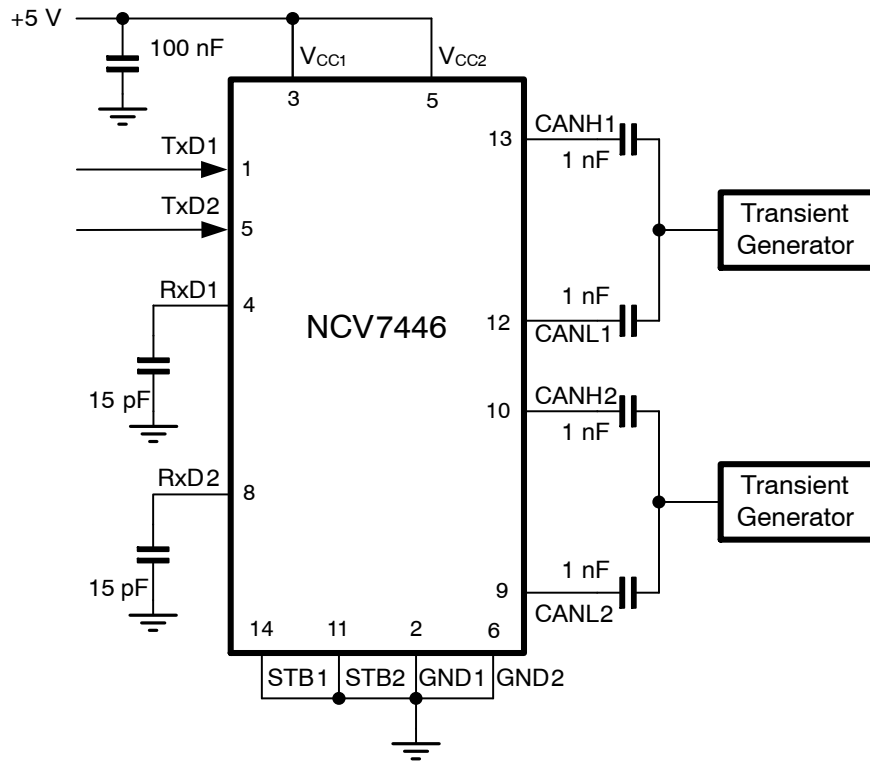


Figure 5. Test Circuit for Automotive Transients

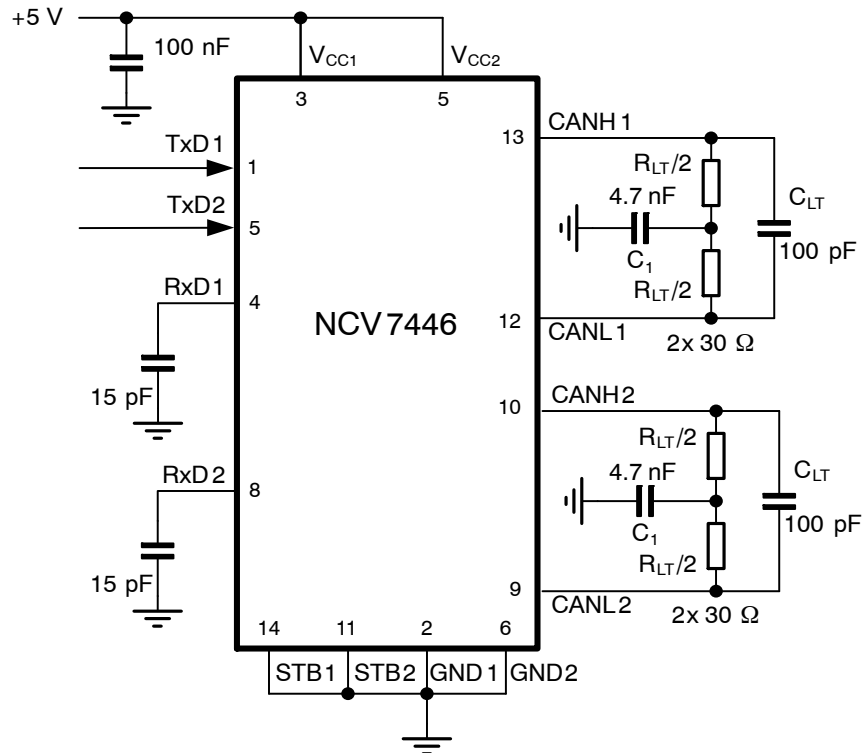


Figure 6. Test Circuit for Timing Characteristics

Table 6. ISO 11898–2:2016 PARAMETER CROSS-REFERENCE TABLE

ISO 11898–2:2016 Specification		NCV7446 Datasheet
Parameter	Notation	Symbol
<b>Dominant output characteristics</b>		
Single ended voltage on CAN_H	$V_{CAN\_H}$	$V_{o(dom)}(CANH)$
Single ended voltage on CAN_L	$V_{CAN\_L}$	$V_{o(dom)}(CANL)$
Differential voltage on normal bus load	$V_{Diff}$	$V_{o(dom)}(diff)$
Differential voltage on effective resistance during arbitration	$V_{Diff}$	$V_{o(dom)}(diff\_arb)$
Differential voltage on extended bus load range (optional)	$V_{Diff}$	$V_{o(dom)}(diff)$
<b>Driver symmetry</b>		
Driver symmetry	$V_{SYM}$	$V_{o(dom)}(sym)$
<b>Driver output current</b>		
Absolute current on CAN_H	$I_{CAN\_H}$	$I_{o(SC)}(CANH)$
Absolute current on CAN_L	$I_{CAN\_L}$	$I_{o(SC)}(CANL)$
<b>Receiver output characteristics, bus biasing active</b>		
Single ended output voltage on CAN_H	$V_{CAN\_H}$	$V_{o(rec)}(CANH)$
Single ended output voltage on CAN_L	$V_{CAN\_L}$	$V_{o(rec)}(CANL)$
Differential output voltage	$V_{Diff}$	$V_{o(rec)}(diff)$
<b>Receiver output characteristics, bus biasing inactive</b>		
Single ended output voltage on CAN_H	$V_{CAN\_H}$	$V_{o(off)}(CANH)$
Single ended output voltage on CAN_L	$V_{CAN\_L}$	$V_{o(off)}(CANL)$
Differential output voltage	$V_{Diff}$	$V_{o(off)}(dif)$
<b>Optional transmit dominant timeout</b>		
Transmit dominant timeout, long	$t_{dom}$	$t_{dom}(TxD)$
Transmit dominant timeout, short	$t_{dom}$	NA
<b>Static receiver input characteristics, bus biasing active</b>		
Recessive state differential input voltage range	$V_{Diff}$	$V_{i(rec)}(diff)\_NM$
Dominant state differential input voltage range	$V_{Diff}$	$V_{i(dom)}(diff)\_NM$
<b>Static receiver input characteristics, bus biasing inactive</b>		
Recessive state differential input voltage range	$V_{Diff}$	$V_{i(rec)}(diff)\_LP$
Dominant state differential input voltage range	$V_{Diff}$	$V_{i(dom)}(diff)\_LP$
Receiver input resistance		
Differential internal resistance	$R_{Diff}$	$R_{i(diff)}$
Single ended internal resistance	$R_{CAN\_H}$ $R_{CAN\_L}$	$R_{i(cm)}(CANH)$ $R_{i(cm)}(CANL)$
<b>Receiver input resistance matching</b>		
Matching a of internal resistance	$m_R$	$R_{i(cm)}(m)$
<b>Implementation loop delay requirement</b>		
Loop delay	$t_{Loop}$	$t_{pd\_rd}$ $t_{pd\_dr}$
<b>Optional implementation data signal timing requirements for use with bit rates above 1 Mbit/s and up to 2 Mbit/s</b>		
Transmitted recessive bit width @ 2 Mbit/s	$t_{Bit}(Bus)$	$t_{Bit}(Vi(diff))$
Received recessive bit width @ 2 Mbit/s	$t_{Bit}(RXD)$	$t_{Bit}(RxD)$
Receiver timing symmetry @ 2 Mbit/s	$\Delta t_{Rec}$	$\Delta t_{Rec}$

# NCV7446

**Table 6. ISO 11898–2:2016 PARAMETER CROSS-REFERENCE TABLE**

ISO 11898–2:2016 Specification		NCV7446 Datasheet	
Parameter	Notation	Symbol	
<b>Optional implementation data signal timing requirements for use with bit rates above 2 Mbit/s and up to 5 Mbit/s</b>			
Transmitted recessive bit width @ 5 Mbit/s	$t_{\text{Bit(Bus)}}$	$t_{\text{Bit(Vi(diff))}}$	
Transmitted recessive bit width @ 5 Mbit/s	$t_{\text{Bit(RxD)}}$	$t_{\text{Bit(RxD)}}$	
Received recessive bit width @ 5 Mbit/s	$\Delta t_{\text{Rec}}$	$\Delta t_{\text{Rec}}$	
<b>Maximum ratings of <math>V_{\text{CAN\_H}}</math>, <math>V_{\text{CAN\_L}}</math> and <math>V_{\text{Diff}}</math></b>			
Maximum rating $V_{\text{Diff}}$	$V_{\text{Diff}}$	$V_{\text{CANH-CANL}}$	
General maximum rating $V_{\text{CAN\_H}}$ and $V_{\text{CAN\_L}}$	$V_{\text{CAN\_H}}$ $V_{\text{CAN\_L}}$	$V_{\text{CANH}}$ $V_{\text{CANL}}$	
Optional: Extended maximum rating $V_{\text{CAN\_H}}$ and $V_{\text{CAN\_L}}$	$V_{\text{CAN\_H}}$ $V_{\text{CAN\_L}}$	NA	
<b>Maximum leakage currents on CAN_H and CAN_L, unpowered</b>			
Leakage current on CAN_H, CAN_L	$I_{\text{CAN\_H}}$ $I_{\text{CAN\_L}}$	$I_{\text{LI}}$	
<b>Bus biasing control timings</b>			
CAN activity filter time, long	$t_{\text{Filter}}$	$t_{\text{wake\_filt}}$	
CAN activity filter time, short	$t_{\text{Filter}}$	NA	
Wake-up timeout, short	$t_{\text{Wake}}$	NA	
Wake-up timeout, long	$t_{\text{Wake}}$	$t_{\text{wake\_to}}$	
Timeout for bus inactivity (Required for selective wake-up implementation only)	$t_{\text{Silence}}$	NA	
Bus Bias reaction time (Required for selective wake-up implementation only)	$t_{\text{Bias}}$	NA	

## ORDERING INFORMATION

Device	Description	Package	Shipping†
NCV7446MW0R2G	Dual CAN FD Transceiver, High Speed, Low Power	DFNW14 (Pb-Free)	5000 / Tape & Reel

†For information on tape and reel specifications, including part orientation and tape sizes, please refer to our Tape and Reel Packaging Specifications Brochure, BRD8011/D.

# MECHANICAL CASE OUTLINE

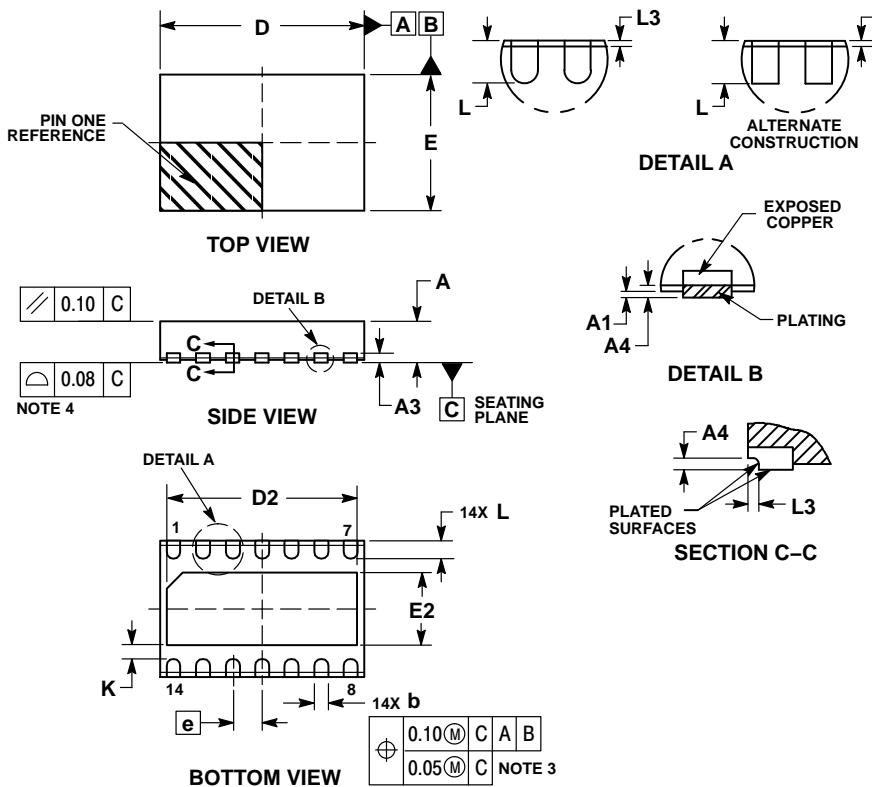
## PACKAGE DIMENSIONS

ON Semiconductor®



DFNW14 4.5x3, 0.65P  
CASE 507AC  
ISSUE D

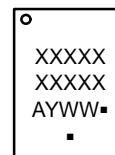
DATE 03 JUL 2018



- NOTES:
- DIMENSIONS AND TOLERANCING PER ASME Y14.5M, 1994.
  - CONTROLLING DIMENSION: MILLIMETERS.
  - DIMENSION b APPLIES TO PLATED TERMINAL AND IS MEASURED BETWEEN 0.15 AND 0.30 MM FROM TERMINAL.
  - COPLANARITY APPLIES TO THE EXPOSED PAD AS WELL AS THE TERMINALS.
  - THIS DEVICE CONTAINS WETTABLE FLANK DESIGN FEATURES TO AID IN FILLET FORMATION ON THE LEADS DURING MOUNTING.

MILLIMETERS			
DIM	MIN	NOM	MAX
A	0.80	0.85	0.90
A1	---	---	0.05
A3	0.20 REF		
A4	0.10	---	---
b	0.25	0.30	0.35
D	4.40	4.50	4.60
D2	4.13	4.20	4.27
E	2.90	3.00	3.10
E2	1.53	1.60	1.67
e	0.65 BSC		
K	0.30 REF		
L	0.35	0.40	0.45
L3	0.00	0.05	0.10

### GENERIC MARKING DIAGRAM\*

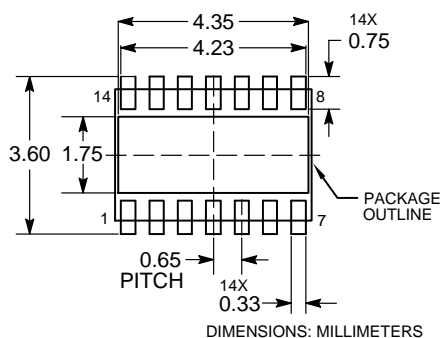


- XXXXXX = Specific Device Code
- A = Assembly Location
- Y = Year
- WW = Work Week
- = Pb-Free Package

(\*Note: Microdot may be in either location)

\*This information is generic. Please refer to device data sheet for actual part marking. Pb-Free indicator, "G" or microdot "▪", may or may not be present. Some products may not follow the Generic Marking.

### RECOMMENDED SOLDERING FOOTPRINT\*



\*For additional information on our Pb-Free strategy and soldering details, please download the ON Semiconductor Soldering and Mounting Techniques Reference Manual, SOLDERRM/D.

<b>DOCUMENT NUMBER:</b>	<b>98AON14979G</b>	Electronic versions are uncontrolled except when accessed directly from the Document Repository. Printed versions are uncontrolled except when stamped "CONTROLLED COPY" in red.
<b>DESCRIPTION:</b>	<b>DFNW14 4.5x3, 0.65P</b>	<b>PAGE 1 OF 1</b>

ON Semiconductor and ON are trademarks of Semiconductor Components Industries, LLC dba ON Semiconductor or its subsidiaries in the United States and/or other countries. ON Semiconductor reserves the right to make changes without further notice to any products herein. ON Semiconductor makes no warranty, representation or guarantee regarding the suitability of its products for any particular purpose, nor does ON Semiconductor assume any liability arising out of the application or use of any product or circuit, and specifically disclaims any and all liability, including without limitation special, consequential or incidental damages. ON Semiconductor does not convey any license under its patent rights nor the rights of others.

**onsemi**, **Onsemi**, and other names, marks, and brands are registered and/or common law trademarks of Semiconductor Components Industries, LLC dba "**onsemi**" or its affiliates and/or subsidiaries in the United States and/or other countries. **onsemi** owns the rights to a number of patents, trademarks, copyrights, trade secrets, and other intellectual property. A listing of **onsemi**'s product/patent coverage may be accessed at [www.onsemi.com/site/pdf/Patent-Marking.pdf](http://www.onsemi.com/site/pdf/Patent-Marking.pdf). **onsemi** reserves the right to make changes at any time to any products or information herein, without notice. The information herein is provided "as-is" and **onsemi** makes no warranty, representation or guarantee regarding the accuracy of the information, product features, availability, functionality, or suitability of its products for any particular purpose, nor does **onsemi** assume any liability arising out of the application or use of any product or circuit, and specifically disclaims any and all liability, including without limitation special, consequential or incidental damages. Buyer is responsible for its products and applications using **onsemi** products, including compliance with all laws, regulations and safety requirements or standards, regardless of any support or applications information provided by **onsemi**. "Typical" parameters which may be provided in **onsemi** data sheets and/or specifications can and do vary in different applications and actual performance may vary over time. All operating parameters, including "Typicals" must be validated for each customer application by customer's technical experts. **onsemi** does not convey any license under any of its intellectual property rights nor the rights of others. **onsemi** products are not designed, intended, or authorized for use as a critical component in life support systems or any FDA Class 3 medical devices or medical devices with a same or similar classification in a foreign jurisdiction or any devices intended for implantation in the human body. Should Buyer purchase or use **onsemi** products for any such unintended or unauthorized application, Buyer shall indemnify and hold **onsemi** and its officers, employees, subsidiaries, affiliates, and distributors harmless against all claims, costs, damages, and expenses, and reasonable attorney fees arising out of, directly or indirectly, any claim of personal injury or death associated with such unintended or unauthorized use, even if such claim alleges that **onsemi** was negligent regarding the design or manufacture of the part. **onsemi** is an Equal Opportunity/Affirmative Action Employer. This literature is subject to all applicable copyright laws and is not for resale in any manner.

## ADDITIONAL INFORMATION

### TECHNICAL PUBLICATIONS:

Technical Library: [www.onsemi.com/design/resources/technical-documentation](http://www.onsemi.com/design/resources/technical-documentation)  
onsemi Website: [www.onsemi.com](http://www.onsemi.com)

### ONLINE SUPPORT: [www.onsemi.com/support](http://www.onsemi.com/support)

For additional information, please contact your local Sales Representative at [www.onsemi.com/support/sales](http://www.onsemi.com/support/sales)