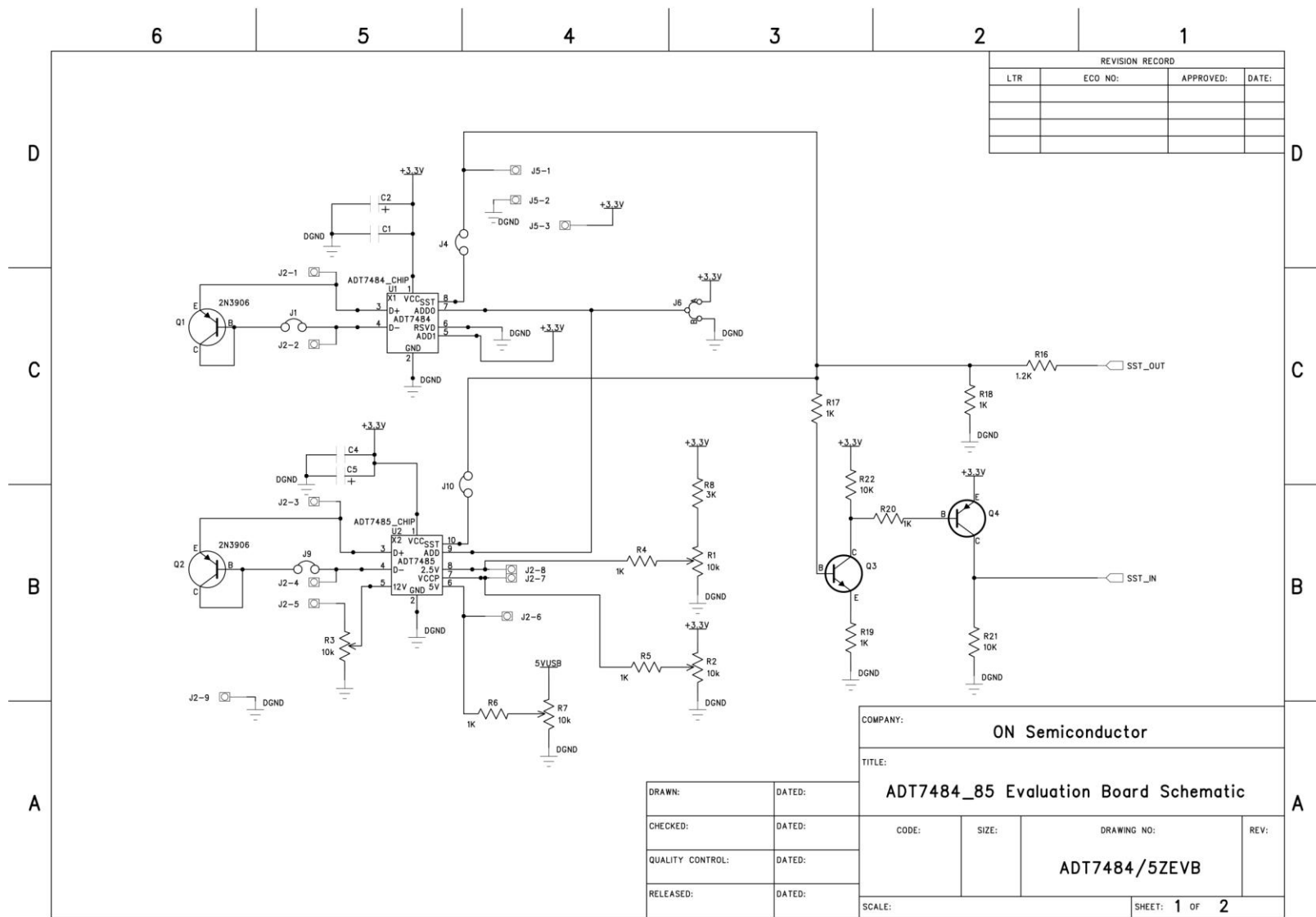
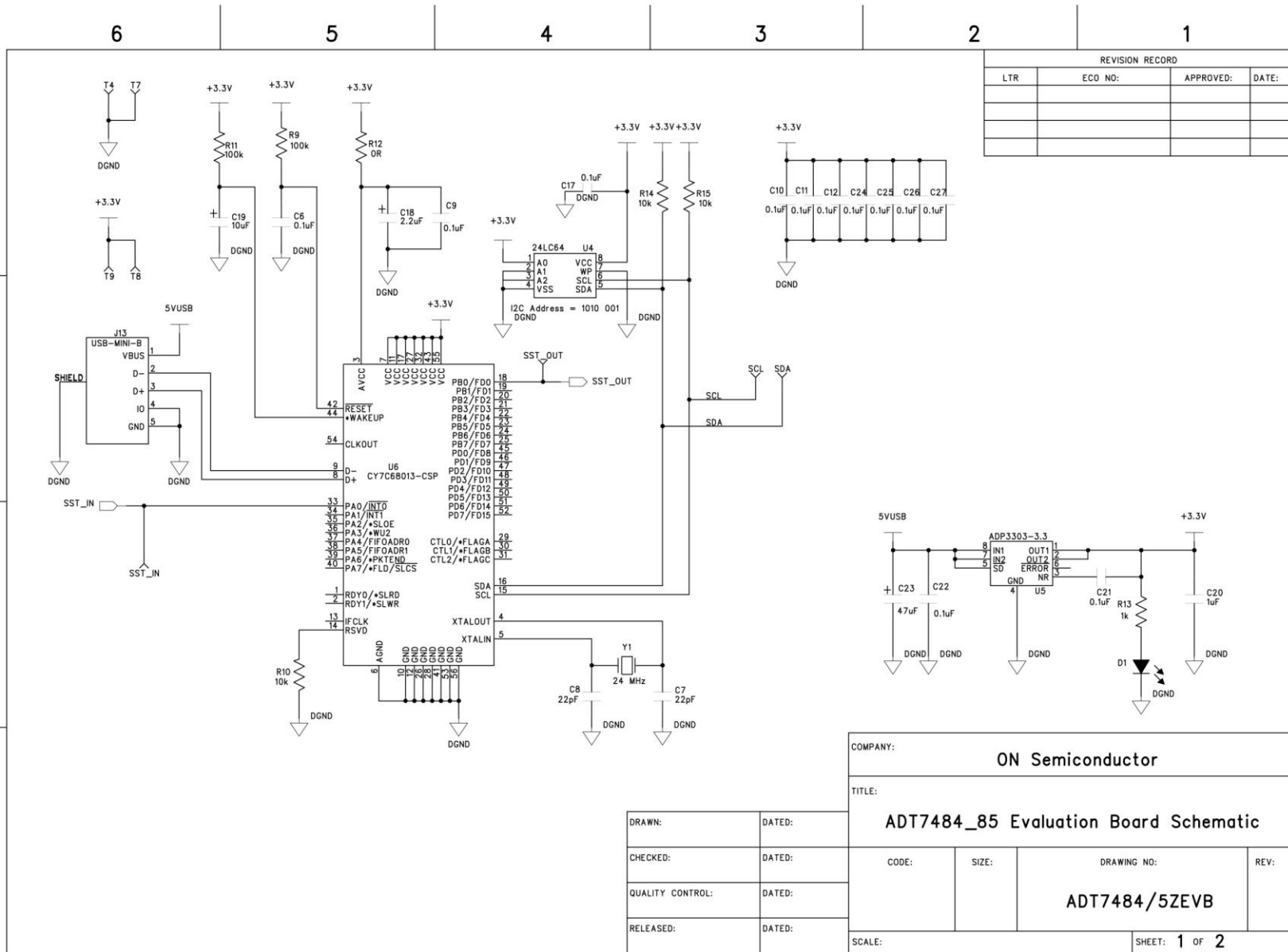




Schematic for the ADT7484/85EBZEVB Evaluation Board





DRAWN:	DATED:
CHECKED:	DATED:
QUALITY CONTROL:	DATED:
RELEASED:	DATED:

COMPANY: ON Semiconductor			
TITLE: ADT7484_85 Evaluation Board Schematic			
CODE:	SIZE:	DRAWING NO:	REV:
ADT7484/5ZEVB			
SCALE:			SHEET: 1 OF 2