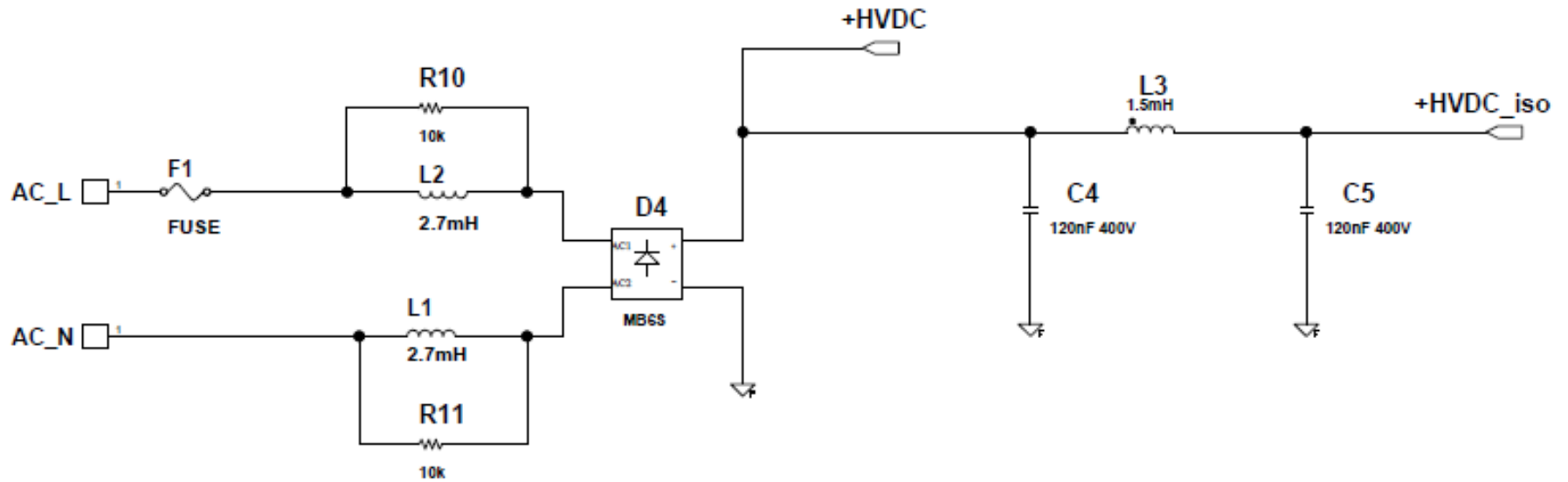




Schematic for the NCL30088FLYGEVB Evaluation Board





Cbulk is not stuffed on the NCL30088 version.

