



Automotive Products Selector Guide

SINGLE LINEAR VOLTAGE REGULATORS

Device	Output Voltage	Tolerance	Output Current	Dropout (Max)	Sleepmode Current (Max)	Quiescent Current [Max] @ Low Load (Load)	Enable	Reset (◆ = Adjustable)	Delay	Early Warning Flag/Monitor	WATCHDOG	Wakeup	Current Limit	Overvoltage	Overtemperature	Peak Transient	Package(s)
NCV553	5	±3	80 mA	0.8 V	-	6 µA (1 mA)							◆	◆		12	SC-82
CS8101	5	±2	100 mA	0.6 V	50 µA	140 µA (100 µA)		◆					◆	◆	◆	60	SOIC-8, SOIC-20 Fused
CS8151	5	±2	100 mA	0.6 V	-	750 µA (200 µA)		◆	◆		◆	◆	◆	◆	◆	74	SOIC-14, SOIC-16W, D2PAK-7
CS8221	5	±2	100 mA	0.6 V	-	120 µA (100 µA)							◆	◆	◆	74	SOIC-8 Fused, D2PAK-3
NCV317L	Adj	±4	100 mA	1.9 V (Typ)	-	-							◆	◆		40	SOIC-8, TO-92
NCV2931	Adj, 5	±5	100 mA	0.6 V	1 mA	1 mA (10 mA)	◆						◆	◆	◆	60	SOIC-8, DPAK-3, D2PAK-3
NCV2931A	Adj, 5	±3.8	100 mA	0.6 V	1 mA	1 mA (10 mA)	◆						◆	◆	◆	60	SOIC-8, SOT-223, DPAK-3
NCV2951	Adj, 5	±2.4	100 mA	0.45 V	-	120 µA (100 µA)	◆	◆					◆	◆		32	SOIC-8
NCV2951A	Adj, 3.3, 5	±1.5	100 mA	0.45 V	-	120 µA (100 µA)	◆	◆					◆	◆		32	SOIC-8
NCV4949	5	±2	100 mA	0.5 V	-	260 µA (300 µA)		◆	◆	◆			◆	◆		40	SOIC-8, SOIC-8 ePad, SOIC-20
NCV612	1.5, 1.8, 2.5, 2.7, 2.8, 3.0, 3.1, 3.3, 5	±3	100 mA	0.3 V	1 µA	90 µA (1 mA)	◆						◆	◆		6	SC-70
NCV662	1.5, 1.8, 2.5, 2.7, 2.8, 3.0, 3.3, 5	±4	100 mA	0.3 V	1 µA	6 µA (1 mA)	◆						◆	◆		6	SC-82
NCV663	1.5, 1.8, 2.5, 2.7, 2.8, 3.0, 3.3, 5	±4	100 mA	0.3 V	-	6 µA (1 mA)							◆	◆		6	SC-82
NCV78LxxA	5, 8, 12, 15, 24	±4	100 mA	1.7 V (Typ)	-	-							◆	◆		30	SOIC-8, TO-92
NCV551	1.4, 1.5, 1.8, 2.5, 2.7, 2.8, 3.0, 3.1, 3.2, 3.3, 5	±3	150 mA	0.22 V	1 µA	8 µA (1 mA)	◆						◆	◆		12	TSOP-5
NCV4264	3.3, 5	±2	150 mA	0.5 V	-	400 µA (1 mA)							◆	◆		45	SOT-223
NCV4264-2	3.3, 5	±2	150 mA	0.5 V	-	70 µA (100 µA)							◆	◆		45	SOT-223
NCV4269	5	±2	150 mA	0.5 V	-	250 µA (1 mA)		◆◆	◆	◆			◆	◆		60	SOIC-8, SOIC-8 ePad, SOIC-14 Fused, SOIC-20 Fused
NCV4279	5	±2	150 mA	0.5 V	-	250 µA (1 mA)		◆◆	◆	◆			◆	◆		60	SOIC-8, SOIC-14 Fused
NCV4299	3.3, 5	±2	150 mA	0.5 V	1 µA	105 µA (1 mA)	◆	◆◆	◆	◆			◆	◆		60	SOIC-8, SOIC-14 Fused
NCV8501	Adj, 2.5, 3.3, 5, 8, 10	±2	150 mA	0.6 V	30 µA	75 µA (100 µA)	◆	◆	◆	◆			◆	◆		60	SOIC-8, SOIC-16 ePad
NCV8502	Adj, 2.5, 3.3, 5, 8, 10	±2	150 mA	0.6 V	-	75 µA (100 µA)		◆	◆	◆			◆	◆		60	SOIC-8, SOIC-16 ePad
NCV8512	5	±2	150 mA	0.6 V	-	200 µA (100 µA)		◆◆	◆	◆			◆	◆		60	SOIC-16 ePad
NCV8560	Adj., 1.3, 1.5, 1.8, 2.5, 2.8, 3.0, 3.3, 3.5, 5	±2	150 mA	0.125 V	1 µA	180 µA (150 mA)	◆						◆	◆		6	DFN-6, TSOP-5
NCV8660	3.3, 5	±2	150 mA	0.6 V	-	40 µA (150 mA)		◆	◆				◆	◆		40	DPAK-5, SOIC-8 Fused
NCV8664	3.3, 5	±2	150 mA	0.6 V	-	30 µA (100 µA)							◆	◆		45	SOIC-8 Fused, SOT-223, DPAK-3
NCV8665	5	±2	150 mA	0.6 V	-	40 µA (100 µA)		◆	◆				◆	◆		45	D2PAK-5, SOIC-8 Fused
NCV8570	1.8, 2.5, 2.75, 2.8, 3.0, 3.3	±2	200 mA	0.155 V	1 µA	90 µA (1 mA)	◆						◆	◆		6	DFN-6

NOTE: All devices in this table are AEC-Qualified and PPAP-Capable. Contact ON Semiconductor for details. Selector tree available on page 19.

SINGLE LINEAR VOLTAGE REGULATORS

Device	Output Voltage	Tolerance	Output Current	Dropout (Max)	Sleepmode Current (Max)	Quiescent Current [Max] @ Low Load (Load)	Enable	Reset (◆ = Adjustable)	Delay	Early Warning Flag/Monitor	WATCHDOG	Wakeup	Current Limit	Overvoltage	Overtemperature	Peak Transient	Package(s)
NCV8508	5	±3	250 mA	0.9 V	-	150 µA (150 mA)		◆	◆		◆	◆	◆	◆	◆	60	SOIC-8 ePad, SOIC-16 Fused, D2PAK-7
NCV8518	5	±2	250 mA	0.75 V	1 µA	150 µA (150 mA)	◆	◆	◆		◆	◆	◆	◆	◆	45	SOIC-8 ePad, SOIC-16 ePad
NCV8518A	5	±2	250 mA	0.75 V	1 µA	150 µA (150 mA)	◆	◆	◆		◆	◆	◆	◆	◆	45	SOIC-8 ePad, SOIC-16 ePad
NCV33275	3.3, 5	±2	300 mA	0.5 V	-	200 µA (0 mA)							◆	◆		13	SOT-223
NCV33375	1.8	±2	300 mA	0.5 V	4 µA	200 µA (0 mA)	◆						◆	◆		13	SOT-223
NCV8674	5	±2	350 mA	0.6 V	-	38 µA (100 µA)							◆	◆		45	D2PAK-3
NCV8675	3.3, 5	±2	350 mA	0.6 V	-	50 µA (100 µA)		◆	◆				◆	◆		45	D2PAK-5
NCV8503	Adj, 2.5, 3.3, 5	±2	400 mA	0.6 V	1 µA	350 µA (100 µA)	◆	◆◆	◆	◆			◆	◆		60	SOIC-16 ePad
NCV8504	Adj, 2.5, 3.3, 5	±2	400 mA	0.6 V	-	150 µA (100 µA)		◆◆	◆	◆			◆	◆		60	SOIC-16 ePad
NCV8505	Adj, 2.5, 3.3, 5	±2	400 mA	0.6 V	1 µA	350 µA (100 µA)	◆	◆	◆				◆	◆		60	D2PAK-7
NCV8506	Adj, 2.5, 3.3, 5	±2	400 mA	0.6 V	-	150 µA (100 µA)		◆	◆				◆	◆		60	D2PAK-7
NCV4274	2.5, 3.3, 5	±4	400 mA	0.5 V	-	250 µA (1 mA)							◆	◆		60	SOT-223, DPAK-3, D2PAK-3
NCV4274A	2.5, 3.3, 5	±2	400 mA	0.5 V	-	250 µA (1 mA)							◆	◆		60	SOT-223, DPAK-3, D2PAK-3
NCV4276	Adj, 1.8, 2.5, 3.3, 5	±4	400 mA	0.5 V	10 µA	220 µA (1 mA)	◆						◆	◆		45	DPAK-5, D2PAK-5
NCV4276A	Adj, 3.3, 5	±2	400 mA	0.5 V	10 µA	220 µA (1 mA)	◆						◆	◆		45	DPAK-5, D2PAK-5
NCV4275	5	±2	450 mA	0.5 V	-	200 µA (1 mA)		◆	◆				◆	◆		45	DPAK-5, D2PAK-5
NCV4275A	3.3, 5	±2	450 mA	0.5 V	-	200 µA (1 mA)		◆	◆				◆	◆		45	DPAK-5, D2PAK-5
NCV317M	Adj	±4	500 mA	2.2 V (Typ)	-	-							◆	◆		40	DPAK-3
NCV5500	Adj, 1.5, 3.3, 5	±4.9	500 mA	0.7 V	50 µA	500 µA (100 µA)	◆						◆	◆		18	SOIC-8, DPAK-5
NCV5501	1.5, 3.3, 5	±4.9	500 mA	0.7 V	-	500 µA (100 µA)							◆	◆		18	DPAK-3
NCV78Mxx	5, 8, 12, 15	±4	500 mA	**	-	**							◆	◆		35	DPAK-3, TO-220
NCV78MxxA	5	±4	500 mA	**	-	**							◆	◆		35	DPAK-3
NCV8141	5	±3	500 mA	1.5 V	50 µA	**	◆	◆	◆		◆		◆	◆	◆	60	D2PAK-7
NCV8535	Adj, 1.5, 1.8, 2.5, 2.8, 2.85, 3.0, 3.3, 5	±1.5	500 mA	0.34 V	1 µA	190 µA (100 µA)	◆						◆	◆		16	DFN-10
CS8126	5	±3	750 mA	0.6 V	-	-		◆	◆				◆	◆	◆	60	D2PAK-7
CS8129	5	±3	750 mA	0.6 V	-	-		◆	◆				◆	◆	◆	60	SOIC-16
NCV33269	Adj, 3.3, 5, 12	±2	800 mA	1.35 V	-	-							◆	◆		20	DPAK-3
NCV78xxA	5, 12	±4	1 A	**	-	-							◆	◆		35	D2PAK-3, TO-220
NCV78xx	5, 8, 12, 15	5%	1 A	**	-	-							◆	◆		35	DPAK-3, D2PAK-3, TO-220
NCV5661	Adj, 1.2, 1.5, 1.8, 2.5, 2.8, 3.0, 3.3	±2	1 A	1.3 V	300 µA	-	◆	◆					◆	◆		18	DPAK-5, DFN-6
NCV1117	Adj, 1.5, 1.8, 2, 2.5, 3.3, 5, 12	±2	1 A	1.2 V	-	-							◆	◆		20	DPAK-3, SOT-223
NCV317	Adj	±4	1.5 A	2.25 V (Typ)	-	-							◆	◆		40	D2PAK-3, TO-220
NCV565	Adj	±3	1.5 A	1.3 V	-	-							◆	◆		18	D2PAK-5
NCV5662	Adj, 1.5	±2	2 A	1.3 V	300 µA	-	◆	◆					◆	◆		18	D2PAK-5
NCV5663	Adj, 1.5	±2	3 A	1.3 V	300 µA	-	◆	◆					◆	◆		18	D2PAK-5

NOTE: All devices in this table are AEC-Qualified and PPAP-Capable. Contact ON Semiconductor for details. † See data sheet for details. Selector tree available on page 19.

DUAL LINEAR VOLTAGE REGULATORS

Device	Output Voltage	Tolerance	Output Current	Dropout (Max)	Sleepmode Current (Max)	Quiescent Current [Max] @ Low Load (Load)	Enable	Reset	Delay	Sequenced	Current Limit	Overvoltage	Overtemperature	Peak Transient	Package(s)
CS8361	5 V Tracking	±2% 25 mV	100 mA 250 mA	0.6 V 0.7 V	200 µA	200 µA (300 µA)	◆	◆			●	●	●	60 V	D2PAK-7, SOIC-16 Fused
NCV8509	5.0, 5.0, 3.3 V 2.6, 2.5, 1.8 V	±2% ±2%	115 mA 100 mA	0.6 V –	–	175 µA (200 µA)		◆	◆	◆	●		●	50 V	SOIC-16 ePad
NCV5504	Adj, 3.3 V	±2% ±2%	250 mA 250 mA	0.4 V 0.4 V	–	450 µA (0 µA)					●		●	18 V	DPAK-5

NOTE: All devices in this table are AEC-Qualified and PPAP-Capable. Contact ON Semiconductor for details. Selector tree available on page 19.

TRACKING REGULATORS

Device	Output Voltage	Tolerance	Output Current	Dropout (Max)	Sleepmode Current (Max)	Quiescent Current [Max] @ Low Load (Load)	Enable	Reset	Current Limit	Overvoltage	Overtemperature	Peak Transient	Package(s)
NCV8184	Tracking	±3 mV	70 mA	0.6 V	20 µA	70 µA (100 µA)	◆		●		●	42 V	DPAK-5, SOIC-8, SOIC-8 ePad
CS8182	Tracking	±5 mV	200 mA	0.6 V	55 µA	150 µA (100 µA)	◆		●		●	45 V	DPAK-5, D2PAK-5, SOIC-8 Fused
CS8183	Tracking Tracking	±5 mV ±5 mV	200 mA** 200 mA**	0.6 V 0.6 V	55 µA	150 µA (100 µA)	◆		●		●	45 V	SOIC-20 Fused
CS8361	Tracking 5 V	±25 mV ±2 %	250 mA 100 mA	0.7 V 0.6 V	200 µA	200 µA (300 µA)	◆	◆	●	●	●	60 V	D2PAK-7, SOIC-16 Fused

NOTE: All devices in this table are AEC-Qualified and PPAP-Capable. Contact ON Semiconductor for details. **Can be combined for single 400 mA operation.

LINEAR VOLTAGE REFERENCES

Device	Voltage	Tolerance	Forward Current (Max)	Reverse Current (Max)	Adj Range	Dynamic Impedance (Typ)	Temperature Drift (Typ)	Time Drift	Package(s)
NCV1009	2.5 V	2%	10 mA	20 mA	5%	0.4 Ω	1.8 mV	20 ppm/kHr	SOIC-8
NCV431A	2.5 V	±2.20%	100 mA	150 mA	-	0.22 Ω	7.0 mV	-	SOIC-8, Micro8™
NCV431B	2.5 V	±0.80%	100 mA	150 mA	-	0.22 Ω	3.0 mV	-	Micro8

NOTE: All devices in this table are AEC-Qualified and PPAP-Capable. Contact ON Semiconductor for details.

ALTERNATOR VOLTAGE REGULATORS

Device	Darlington Driver	FET Driver	Stator Powerup	Lamp Driver	Flip-Chip	Current Limit	Peak Transient	Package(s)
CS3351	●		●	◆	◆	●	80 V	SOIC-14
CS3361		●		◆		●	80 V	SOIC-14

NOTE: All devices in this table are AEC-Qualified and PPAP-Capable. Contact ON Semiconductor for details.

DRIVERS

Device	Description	Output Current	R _{DS(ON)} @ 25°C	Sleep Mode	On-Chip Flyback Diode	Active Output Clamp	Parallel Inputs	SPI	Fault Reporting	Undervoltage Lockout	Open Load Detect	Current Limit	Overvoltage	Overtemperature	Low Duty Cycle Overcurrent Mode	Peak Transient	Package(s) ¹
NCV7708B	Double Hex Driver	500 mA	0.8 Ω	◆	◆	◆		◆	◆	◆	◆	●	●	●		40 V	SOIC-28 Fused
NCV1413	Darlington Transistor Array	500 mA	—		◆		◆									50 V	SOIC-16
NCV7702B	Dual Half-Bridge Driver	1 A	—	◆	◆		◆		◆			●	●	●	●	60 V	SOIC-24 Fused
NCV7703	Triple Half-Bridge Driver	500 mA	0.8 Ω	◆				◆	◆	◆	◆	●	●	●		40 V	SOIC-14 Fused
AMIS-39100	Octal High-Side Driver	350 mA	1 Ω	◆		◆	◆	◆	◆	◆	◆	●		●		35 V	SOIC-28

NOTE: All devices in this table are AEC-Qualified and PPAP-Capable. Contact ON Semiconductor for details.

PRE-DRIVERS

Device	Description	Output Current	R _{DS(ON)} @ 25°C	Sleep Mode	On-Chip Flyback Diode	Active Output Clamp	Parallel Inputs	SPI	Fault Reporting	Undervoltage Lockout	Open Load Detect	Current Limit	Overvoltage	Overtemperature	Low Duty Cycle Overcurrent Mode	Peak Transient	Package(s)
NCV7512	Quad Low-Side MOSFET Driver	1.9 mA	1.8 kΩ	◆			◆	◆	◆	◆	◆	●				6.5 V	LQFP-32
NCV7513A	Hex Low-Side MOSFET Driver	1.9 mA	1.8 kΩ	◆			◆	◆	◆	◆	◆	●				6.5 V	LQFP-32
NCV7517	Hex Low-Side MOSFET Driver	1.9 mA	1.8 kΩ	◆			◆	◆	◆	◆	◆	●				6.5 V	LQFP-32
NCV33152	High Speed Dual MOSFET Drivers	1.5 A	—	◆	◆		◆									20 V	SOIC-8

NOTE: All devices in this table are AEC-Qualified and PPAP-Capable. Contact ON Semiconductor for details.

SENSOR ICs

Device	Description	Dual	Quad	Differential Input	Open Sensor Detect	Dual WATCHDOG	Sensor Input Voltage Range	V _{CC} (Max)	Package(s)
NCV1124	Variable Reluctance Sensor Interface IC	●			◆		-250 to +250 V	7 V	SOIC-8

NOTE: All devices in this table are AEC-Qualified and PPAP-Capable. Contact ON Semiconductor for details.

MOTOR CONTROL

Device	Description	Interface	I _{out} Max	Peak Transient	3 and 4 Phase Capable	FET Driver	H-Bridge	Undervoltage Lockout	Current Limit Adjust	On-Chip Linear Regulator	Current Limit	Thermal Shutdown	Sensorless Stall Detect	Package(s)
NCV70521	Stepper Motor Driver	SPI	1.6 A	40 V			●				●	●	●	QFP-32
NCV70522	Stepper Motor Driver	SPI	1.6 A	40 V			●			◆	●	●	●	QFP-32
AMIS-30621	Stepper Motor Driver and Controller	LIN	800 mA	40 V			●	◆		◆	●	●		SOIC-20, QFP-32
AMIS-30622	Stepper Motor Driver and Controller	I2C	800 mA	40 V			●	◆		◆	●	●		SOIC-20
AMIS-30623	Stepper Motor Driver and Controller	LIN	800 mA	40 V			●	◆		◆	●	●	●	SOIC-20, QFP-32
NCV33033	Brushless DC Motor Controller	-	100 mA	30 V	●	●	●	◆	◆	◆	●	●		SOIC-20
NCV33035	Brushless DC Motor Controller	-	100 mA	40 V	●	●	●	◆	◆	◆	●	●		SOIC-24
NCV33039 *	Closed Loop Brushless Motor Adapter	-		8.25 V **										SOIC-8

NOTE: All devices in this table are AEC-Qualified and PPAP-Capable. Contact ON Semiconductor for details.

*Intended for use with the NCV33035. **Internal shunt regulator.

OP AMPS & COMPARATORS

Device	Description	Configuration			Response Time	Large Signal Response Time	Input Bias Current	Input Offset Voltage (Max)	Gain/Bandwidth (MHz)	Quiescent Current	Slew Rate	Peak Transient	Package(s)
		Single	Dual	Quad									
NCV2001	Low Voltage, Rail-to-Rail Op Amp	◆			-	-	10 pA	9.5 mV	1.4	1.5 mA	1.6 V/μs	7 V	SOT-23
NCV2002	Low-Voltage, Rail-to-Rail Op Amp with Enable	◆			-	-	10 pA	9.5 mV	0.9	1 mA	1.3 V/μs	7 V	TSOP-6
NCV2903	Low Offset Voltage Comparators		◆		1.5 μs	300 ns	25 nA	7 mV	-	2.5 mA	-	36 V	SOIC-8, Micro8
NCV2904	Operational Amplifier		◆		-	-	45 nA	7 mV	1	3.0 mA	0.6 V/μs	32 V	SOIC-8, Micro8
NCV33172	Low Power Op Amp		◆		-	-	5 nA	4.5 mV	1.8	250 μA	2.1 V/μs	22 V	SOIC-8
NCV33202	Low-Voltage, Rail-to-Rail Op Amp		◆		-	-	100 nA	8 mV	2.2	2.25 mA	1.0 V/μs	13 V	SOIC-8
NCV33272A	Low Input Offset Voltage Op Amp		◆		-	-	300 nA	3.5 mV	24	12 mA	10 V/μs	36 V	SOIC-8
NCV2901	Comparator			◆	1.3 μs	300 ns	25 nA	7 mV	-	2.5 mA	-	36 V	SOIC-14, TSSOP-14
NCV2902	Operational Amplifier			◆	-	-	90 nA	7 mV	1	3.0 mA	0.6 V/μs	32 V	SOIC-14, TSSOP-14
NCV33074A	Supply (3 V to 44 V) Op Amp	◆		◆	-	-	700 nA	5 mV	4.5	11 mA	10 V/μs	44 V	TSSOP-14
NCV33204	Low-Voltage, Rail-to-Rail Op Amp			◆	-	-	100 nA	8 mV	2.2	4.5 mA	1.0 V/μs	13 V	SOIC-14, TSSOP-14
NCV33274A	Low Input Offset Voltage Op Amp			◆	-	-	300 nA	3.5 mV	24	12 mA	10 V/μs	36 V	SOIC-14, TSSOP-14

NOTE: All devices in this table are AEC-Qualified and PPAP-Capable. Contact ON Semiconductor for details.

LIN TRANSCEIVERS

Device	Bus Speed (Baud)	ISO 9141	LIN 2.0	J2602	Sleep Mode Current (μ A) Max	Overtemperature	Package(s)
AMIS-30600	20 K	◆	◆		55	◆	SOIC-8
NCV7321	20 K	◆	◆	◆	10	◆	SOIC-8
NCV7420	20 K	◆	◆	◆	20	◆	SOIC-14

All devices are AEC-Qualified and PPAP-Capable. Contact ON Semiconductor for details.

CAN TRANSCEIVERS

Device	Description	ISO 11898-2	ISO 11898-3	ISO 11898-5	Sleep Mode Current (μ A) Max	Bus Speed (Max)	ESD Protection (CAN Pin)	Package(s)
AMIS-30660	High Speed CAN Transceiver, 5 V	◆			N/A*	1 Mbps	4 kV	SOIC-8
AMIS-30663	High Speed CAN Transceiver, 3.3 V	◆			N/A*	1 Mbps	4 kV	SOIC-8
AMIS-41682	Fault Tolerant CAN Transceiver, 5 V		◆		60	250 kbps	6 kV	SOIC-14
AMIS-41683	Fault Tolerant CAN Transceiver, 3.3 V		◆		60	250 kbps	6 kV	SOIC-14
AMIS-42665	High Speed, Low Power CAN Transceiver	◆		◆	15	1 Mbps	8 kV	SOIC-8
NCV7341	High Speed, Low Power CAN Transceiver with Error Detection			◆	36	1 Mbps	4 kV	SOIC-14
AMIS-42700	Dual High Speed CAN Transceiver	◆			N/A*	1 Mbps	4 kV	SOIC-20
NCV7356	Single Wire CAN Transceiver	**			60	40 kbps	4 kV	SOIC-8, SOIC-14

All devices are AEC-Qualified and PPAP-Capable. Contact ON Semiconductor for details. * Sleep mode not featured/implemented. ** SW-CAN - Not defined in ISO.

GAUGE DRIVERS

Device	Description	Major Gauge Driver	Frequency to Voltage Converter	Drive Current	Return to Zero	DVLO	Current Limit	Peak Transient	Package(s)
CS8190	Precision Air-Core Tach/Speedo Driver with Return to Zero	●	●	33 mA	◆	◆		60 V	DIP-16 Fused, SOIC-20 Fused

NOTE: All devices in this table are AEC-Qualified and PPAP-Capable. Contact ON Semiconductor for details.

TIMER

Device	Description	Astable	Monostable	Output (Source)	Output (Sink)	Stability	Peak Transient	Package(s)
NCV1455B	Direct NE555 Replacement	●	●	200 mA	200 mA	0.005% per °C	18 V	SOIC-8

NOTE: All devices in this table are AEC-Qualified and PPAP-Capable. Contact ON Semiconductor for details.

LOGIC DEVICES

Family	Device	Description	Operating Voltage (V)	Packages
Metal Gate	MC14021B	8-Bit Static Shift Register	3 to 18	SOIC-16
	MC14040B	12-Bit Binary Counter	3 to 18	SOIC-16
	MC14050B	Hex Buffer	3 to 18	SOIC-16
	MC14051B	Analog Multiplexers/Demultiplexers	3 to 18	SOIC-16
	MC14052B	Analog Multiplexers/Demultiplexers	3 to 18	SOIC-16
	MC14060B	14-Stage Binary Counter/Oscillator	3 to 18	SOIC-16
	MC14066B	Quad Analog Switch/Quad Multiplexer	3 to 18	SOIC-14
	MC14094B	8-Bit Shift/Store Register with Three-State Outputs	3 to 18	SOIC-16
MC14538B	Dual Precision Monostable Multivibrator	3 to 18	SOIC-16	
High Speed CMOS	MC74HC02A	Quad 2-Input NOR Gate	2 to 6	SOIC-14
	MC74HC08A	Quad 2-Input AND Gate	2 to 6	SOIC-14
	MC74HC14A	Hex Schmitt-Trigger Inverter	2 to 6	SOIC-14
	MC74HC74A	Dual D-Type Flip-Flop with Set and Reset	2 to 6	SOIC-14
	MC74HCT74A	Dual D-Type Flip-Flop with Set and Reset	4.5 to 5.5	SOIC-14
	MC74HC132A	Quad 2-Input NAND Schmitt Trigger	2 to 6	SOIC-14
	MC74HC595A	Shift Register 3-State	2 to 6	SOIC-16
	MC74HC4051A	Analog Multiplexers/Demultiplexers	2 to 6	SOIC-16
	MC74HC4052A	Analog Multiplexers/Demultiplexers	2 to 6	SOIC-16
	MC74HC4060A	14-Stage Binary Ripple Counter with Oscillator	2 to 6	SOIC-16
	MC74HC4066A	Quad Analog Switch/Multiplexer/Demultiplexer	2 to 12	SOIC-14
	MC74HC4851A	Analog Multiplexer/Demultiplexer with Injection Current Effect Control	2 to 6	SOIC-16
	MC74HC4852A	Analog Multiplexers/Demultiplexers with Injection Current Effect Control	2 to 6	SOIC-16
Low Voltage	MC74VHCT50A	Non-inverting Buffer / CMOS Logic Level Shifter with LSTTL-Compatible Inputs	4.5 to 5.5	SOIC-14
	MC74VHCT125A	Quad Bus Buffer, 3 State, TTL Level	4.5 to 5.5	SOIC-14
	MC74VHC244	Octal Noninverting Bus Buffer, 3 State	2 to 5.5	TSSOP-20
	MC74LCX245	Low-Voltage CMOS Octal Transceiver	2 to 3.6	TSSOP-20
	MC74LVX4245	Dual Supply Octal Translating Transceiver	2.7 to 3.6	TSSOP-24
MiniGates™	M74VHC1GT125	Single Non Inverting Buffer, 3-State	3 to 5.5	SC-88A, SOT-353, SC-70
	M74VHC1GT50	Single Non Inverting Buffer, TTL Level	1.65 to 5.5	SC-88A, SOT-353, SC-70
	NL17SZU04	Single Unbuffered Inverter	1.65 to 5.5	SC-88A, SOT-353, SC-70
	NL27WZ04	Dual Inverter	1.65 to 5.5	SC-88/SC-70/SOT-363

NOTE: All devices in this table are AEC-Qualified and PPAP-Capable. Contact ON Semiconductor for details.

ZENER DIODES

V _Z Typ	200 mW	200 mW	225 mW	500 mW		1.5 W	3 W
Volts	SOD-523	SOD-323	SOT-23	SOD-123		SMA	SMB
4.7	MM5Z4V7	MM3Z4V7	BZX84C4V7L	MMSZ4688	MMSZ5230B	1SMA5917B	1SMB5917B
5.1	MM5Z5V1	MM3Z5V1	BZX84C5V1L	MMSZ4689	MMSZ5231B	1SMA5918B	1SMB5918B
5.6	MM5Z5V6	MM3Z5V6	BZX84C5V6L	MMSZ4690	MMSZ5232B	1SMA5919B	1SMB5919B
6.2	MM5Z6V2	MM3Z6V2	BZX84C6V2L	MMSZ4691	MMSZ5234B	1SMA5920B	1SMB5920B
6.8	MM5Z6V8	MM3Z6V8	BZX84C6V8L	MMSZ4692	MMSZ5235B	1SMA5921B	1SMB5921B
7.5	MM5Z7V5	MM3Z7V5	BZX84C7V5L	MMSZ4693	MMSZ5236B	1SMA5922B	1SMB5922B
8.2	MM5Z8V2	MM3Z8V2	BZX84C8V2L	MMSZ4694	MMSZ5237B	1SMA5923B	1SMB5923B
10	MM5Z10V	MM3Z10V	BZX84C10L	MMSZ4697	MMSZ5240B	1SMA5925B	1SMB5925B
12	MM5Z12V	MM3Z12V	BZX84C12L	MMSZ4699	MMSZ5242B	1SMA5927B	1SMB5927B
13	MM5Z13V	MM3Z13V	BZX84C13L		MMSZ5243B	1SMA5928B	1SMB5928B
14				MMSZ4701	MMSZ5244B		
15	MM5Z15V	MM3Z15V	BZX84C15L	MMSZ4702	MMSZ5245B	1SMA5929B	1SMB5929B
16	MM5Z16V	MM3Z16V	BZX84C16L	MMSZ4703	MMSZ5246B	1SMA5930B	1SMB5930B
17				MMSZ4704	MMSZ5247B		
18	MM5Z18V	MM3Z18V	BZX84C18L	MMSZ4705	MMSZ5248B	1SMA5931B	1SMB5931B
19				MMSZ4706	MMSZ5249B		
20	MM5Z20V	MM3Z20V	BZX84C20L	MMSZ4707	MMSZ5250B	1SMA5932B	1SMB5932B
24	MM5Z24V	MM3Z24V	BZX84C22L	MMSZ4709	MMSZ5252B	1SMA5934B	1SMB5934B
27	MM5Z27V	MM3Z27V	BZX84C27L	MMSZ4711	MMSZ5254B	1SMA5935B	1SMB5935B
30	MM5Z30V		BZX84C30L	MMSZ4713	MMSZ5256B	1SMA5936B	1SMB5936B
33	MM5Z33V	MM3Z33V	BZX84C33L	MMSZ4714	MMSZ5257B	1SMA5937B	1SMB5937B
36	MM5Z36V	MM3Z36V	BZX84C36L	MMSZ4715	MMSZ5258B	1SMA5938B	1SMB5938B
39		MM3Z39V	BZX84C39L		MMSZ5259B	1SMA5939B	1SMB5939B
43		MM3Z43V	BZX84C43L	MMSZ4717	MMSZ5260B	1SMA5940B	1SMB5940B
47			BZX84C47L		MMSZ5261B	1SMA5941B	1SMB5941B

NOTE: All devices in this table are AEC-Qualified and PPAP-Capable. Contact ON Semiconductor for details.

DUAL ZENER DIODES

	Device	V _{BR} Typ (V)	V _{RWM} Max (V)	I _R Max (μA)	I _{pp} Max (A)	V _C Max (V)	Package
Common Cathode	MMBZ15VDL	15	12.8	0.1	1.9	21.2	SOT-23
	MMBZ27VCL	27	22	0.05	1	38	
Common Anode	MMBZ5V6AL	5.6	3	5	3	8	
	MMBZ6V2AL	6.2	3	0.5	2.76	8.7	
	MMBZ6V8AL	6.8	4.5	0.5	2.5	9.6	
	MMBZ9V1AL	9.1	6	0.3	1.7	14	
	MMBZ12VAL	12	8.5	0.2	2.35	17	
	MMBZ15VAL	15	12	0.05	1.9	21	
	MMBZ18VAL	18	14.5	0.05	1.6	25	
	MMBZ20VAL	20	17	0.05	1.4	28	
	MMBZ27VAL	27	22	0.05	1	40	
MMBZ33VAL	33	26	0.05	0.87	46		
Common Cathode	MMBZ27VCW	27	22	0.05	1	38	SC-70
	MMBZ27VAW	27	22	0.05	1	40	

NOTE: All devices in this table are AEC-Qualified and PPAP-Capable. Contact ON Semiconductor for details. NOTE: I_{pp} Max rating based on 8 x 20 μsec surge waveform.

TRANSIENT VOLTAGE SUPPRESSORS

	Device	V _{BR} Typ (V)	V _{RWM} Max (V)	I _R Max (μA)	I _{pp} Max (A)	V _C Max (V)	Package
Unidirectional	1SMA16A	18.75	16	2.5	15.4	26	SMA
	1SMA20A	23.35	20	2.5	12.3	32.4	
	1SMA24A	28.1	24	2.5	10.3	38.9	
	1SMA28A	32.75	28	2.5	8.8	45.4	
	1SMA30A	35.05	30	2.5	8.3	48.4	
	1SMA33A	38.65	33	2.5	7.5	53.3	
	1SMA36A	42.1	36	2.5	6.9	58.1	
	1SMA40A	46.75	40	2.5	6.2	64.5	
	1SMA43A	50.3	43	2.5	5.8	69.4	
	P6SMB27A	27	23.1	5	16	37.5	SMB
	P6SMB30A	30	25.6	5	14.4	41.4	
	1SMB26A	30.4	26	5	14.2	42.1	
	P6SMB33A	33	28.2	5	13.2	45.7	
	P6SMB36A	36	30.8	5	12	49.9	
	1SMB33A	38.65	33	5	11.3	53.3	
	P6SMB39A	39	33.3	5	11.2	53.9	SMC
	1SMC22A	25.65	22	5	42.2	35.5	
	1.5SMC27A	27	23.1	5	37.5	37.5	
	1SMC24A	28.1	24	5	38.6	38.9	
	1.5SMC30A	30	25.6	5	41.4	41.4	
1.5SMC33A	33	28.2	5	45.7	45.7		
1SMC30A	35.05	30	5	31	48.4		
1.5SMC36A	36	30.8	5	49.9	49.9		
1.5SMC39A	39	33.3	5	53.9	53.9		
1SMC36A	42.1	36	5	25.8	58.1		
1.5SMC47A	47	40.2	5	64.8	64.8		
1.5SMC62A	62	53	5	85	85		
Bidirectional	1SMA16CA	18.75	16	2.5		26	SMA
	1SMA24CA	28.1	24	2.5		38.9	
	P6SMB30CA	30	25.6	5		41.4	SMB
	P6SMB36CA	36	30.8	5		49.9	
	1SMB36CA	42.1	36	5		58.1	
	P6SMB43CA	43	36.8	5		59.3	
	1SMB43CA	50.3	43	5		69.4	

NOTE: All devices in this table are AEC-Qualified and PPAP-Capable. Contact ON Semiconductor for details. NOTE: I_{pp} Max rating based on 10 x 1000 μsec surge waveform.

SCHOTTKY DIODES

Device	V _R (V)	I _F (mA)	C _T Max (pF)	V _F Max (V)	I _R Max (μA)	Type	Package
BAT54	30	200	10	0.32	2	Single	SOD-123
MMSD301	30	200	1.5	0.45	0.2	Single	
BAT54H	30	200	10	0.32	2	Single	SOD-323
MMDL301	30	200	1.5	0.45	0.2	Single	
RB751V40	30	30	2.5	0.37	0.5	Single	
BAS70L	70	70	2	0.41	0.1	Single	SOT-23
BAS40L	40	120	5	0.38	1	Single	
BAS40-04L	40	120	5	0.38	1	Dual Series	
BAS40-06L	40	120	5	0.38	1	Dual Common Anode	
BAT54CL	30	200	10	0.32	2	Dual Common Cathode	
BAT54L	30	200	10	0.32	2	Single	
BAT54AL	30	200	10	0.32	2	Dual Common Anode	
BAT54SL	30	200	10	0.32	2	Dual Series	
BAT54AW	30	200	10	0.32	2	Dual Common Anode	
BAT54CW	30	200	10	0.32	2	Dual Common Cathode	
BAT54W	30	200	10	0.32	2	Single	SC-70
BAT54SW	30	200	10	0.32	2	Dual Series	
MMSD330	30	200	1.5	0.45	0.2	Single	SOD-523
RB751S40	30	30	2.5	0.37	0.5	Single	
BAT54XV2	30	200	10	0.32	2	Single	
RB520S30	30	200		0.6	1	Single	
RB521S30	30	200		0.5	30	Single	
NSRLL30XV2	30	200	10	0.6	1	Single	
NSR0140P2	30	70	2.5	0.35	0.5	Single	SOD-923
NSR0240P2	40	200	7	0.46	0.2	Single	

NOTE: All devices in this table are AEC-Qualified and PPAP-Capable. Contact ON Semiconductor for details.

CONSTANT CURRENT REGULATORS

Device	Max V _{AK} (V)	Cont I _{reg} (mA)	±I _{reg} (%)	P _D (mW)	Package
NSI50010T1G	50	10	± 20%	463	SOD-123
NSI45030T1G	45	30	± 15%	463	
NSI45025T1G	45	25	± 15%	463	
NSI45020T1G	45	20	± 15%	463	
NSI45030AT1G	45	30	± 10%	463	
NSI45025AT1G	45	25	± 10%	463	
NSI45020AT1G	45	20	± 10%	463	
NSI45030ZT1G	45	30	± 15%	1389	
NSI45025ZT1G	45	25	± 15%	1389	
NSI45030AZT1G	45	30	± 10%	1389	
NSI45025AZT1G	45	25	± 10%	1389	
NSI50090DDT1G	50	90 - 160	± 10%	2700	
NSI50060DDT1G	50	60 - 100	± 10%	2700	
NSI50035DZT1G	50	35 - 70	± 10%	1389	SOT-223
NSI50020DZT1G	50	20 - 40	± 10%	1389	

NOTE: All devices in this table are AEC-Qualified and PPAP-Capable. Contact ON Semiconductor for details.

SWITCHING DIODES

Device	V _R Min (V)	I _R Max (μA)	V _F Max (V)	C _T Max (pF)	t _{rr} Max (ns)	Type	Package
BAV199L	70	0.005	1	2		Dual Series	SOT-23
BAL99L	70	2.4	1	1.5	6	Single	
BAV99L	70	2.4	1	1.5	6	Dual Series	
BAW56L	70	2.4	1	2	6	Dual Common Anode	
BAV70L	70	2.5	1	1.5	6	Dual Common Cathode	
MMSD914L	100	5	1	4	4	Single	
BAS20L	200	0.1	1	5	50	Single	
BAS21L	250	0.1	1	5	50	Single	
BAS21SL	250	1	1	5	50	Single	
BAV99W	70	2.4	1	1.5	6	Dual Series	
BAV99RW	70	2.5	1	1.5	6	Dual Series	
BAW56W	70	2.5	1	2	6	Dual Common Anode	
BAV70W	70	5	1	1.5	6	Dual Common Cathode	
MMSD4148	100	5	1	4	4	Single	SOD-123
MMSD914	100	5	1	4	4	Single	
MMSD103	250	1	1	5	50	Single	
MMDL914	100	5	1	4	4	Single	SOD-323
BAS20H	200	0.1	1	5	50	Single	
BAS21AH	250	0.04	1	5	50	Single	
BAS21H	250	1	1	5	50	Single	
BAV70T	70	5	1	1.5	6	Dual Common Cathode	SC-75
BAS21DW5	250	0.1	1	5	50	Dual Isolated	SC-88A

NOTE: All devices in this table are AEC-Qualified and PPAP-Capable. Contact ON Semiconductor for details.

BIAS RESISTOR TRANSISTORS (BRTs)

	NPN Device	PNP Device	V _{(BR)CEO} Min (V)	I _C Max (mA)	h _{FE} Min	R1 (Ω)	R2 (Ω)	Package
Single	MUN2211	MUN2111	50	100	35	10k	10k	SC-59
	MUN2213	MUN2113	50	100	80	47k	47k	
	MUN2214	MUN2114	50	100	80	10k	47k	
	MUN2233		50	100	80	4.7k	47k	
	MMUN2211L	MMUN2111L	50	100	35	10k	10k	SOT-23
	MMUN2213L	MMUN2113L	50	100	80	47k	47k	
	MMUN2214L	MMUN2114L	50	100	80	10k	47k	
	MMUN2216L	MMUN2116L	50	100	160	4.7k	∞	
	MMUN2232L	MMUN2132L	50	100	15	4.7k	4.7k	
	MUN5211	MUN5111	50	100	35	10k	10k	SC-70
MUN5230		50	100	3	1k	1k		
MUN5233	MUN5133	50	100	80	4.7k	47k		
Dual	MUN5211DW1	MUN5111DW1	50	100	35	10k	10k	SC-88
	MUN5214DW1	MUN5114DW1	50	100	80	10k	47k	
	MUN5230DW1		50	100	3	1k	1k	
	MUN5233DW1	MUN5133DW1	50	100	80	4.7k	47k	
	MUN5235DW1	MUN5135DW1	50	100	80	2.2k	47k	
Device	Type	V _{(BR)CEO} Min (V)	I _C Max (mA)	h _{FE} Min	R1 (Ω)	R2 (Ω)	Package	
Combinational	MUN5311DW1	Dual Complementary	50	100	35	10k	10k	SC-88
	MUN5313DW1	Dual Complementary	50	100	80	47k	47k	
	MUN5314DW1	Dual Complementary	50	100	80	10k	47k	
	UMC5N	Dual Common Base Collector	50	100	20	4.7k	10k	

NOTE: All devices in this table are AEC-Qualified and PPAP-Capable. Contact ON Semiconductor for details.

SMALL SIGNAL BIPOLAR TRANSISTORS

NPN	PNP	V _{(BR)CEO} Min (V)	I _C Max (A)	h _{FE} Min	h _{FE} Max	f _T Min (MHz)	Package	
MMBTA42L		300	0.05	40		50	SOT-23	
	MMBTA92L	300	0.5	25		50		
MMBT5551L		160	0.6	80	250			
	MMBT5401L	150	0.5	60	240	100		
MMBTA06L	MMBTA56L	80	0.5	100				
BC846AL		65	0.1	110	220	100		
BC846BL		65	0.1	200	450	100		
	BC856AL	65	0.1	125	250	100		
	BC856BL	65	0.1	220	475	100		
	MMBT2907AL	60	0.6	50	300	200		
MMBT6428L		50	0.2	250	650	100		
BC817-16L	BC807-16L	45	0.5	100	250	100		
BC817-25L	BC807-25L	45	0.5	160	400	100		
BC817-40L	BC807-40L	45	0.5	250	600	100		
BC847AL		45	0.1	110	220	100		
BC847BL		45	0.1	200	450	100		
BC847CL		45	0.1	420	800	100		
BC850BL		45	0.1	200	450	100		
BC850CL		45	0.1	420	800	100		
	BC857AL	45	0.1	125	250	100		
	BC857BL	45	0.1	220	475	100		
	BC857CL	45	0.1	420	800	100		
BCX19L		45	0.5	100	600			
MMBT2222AL		40	0.6	100	300	300		
MMBT3904L		40	0.2	100	300	300		
	MMBT3906L	40	0.2	100	300	250		
MMBT4401L		40	0.6	100	300	250		
	MMBT4403L	40	0.6	100	300	200		
	MMJT350	300	0.5	30	240			
PZTA42	PZTA92	300	0.5	25		50		SOT-223
BCP56	BCP53	80	1.5	40	250			
BCP56-10	BCP53-10	80	1.5	63	160			
BCP56-16	BCP53-16	80	1.5	100	250			
	PZT2907A	60	0.6	100	300	200		
PZT651	PZT751	60	2	40		75		
PZT2222A		40	0.6	100	300	300		
PZT3904		40	0.2	100	300	300		

NOTE: All devices in this table are AEC-Qualified and PPAP-Capable. Contact ON Semiconductor for details.

DARLINGTON TRANSISTORS

NPN	PNP	$V_{(BR)CEO}$ Min (V)	I_C Max (A)	h_{FE} Min	h_{FE} Max	f_T Min (MHz)	Package
MPSA27		60	0.5	10k		125	TO-92
MPSA29		100	0.5	10k		125	
BC373		80	1	10k	160k	100	
BSP52		80	1	2k			SOT-223
MJD112	MJD117	100	2	1k	12k	25	DPAK
NJD35N04		350	4	2k		90	
MJD122	MJD127	100	8	1k	12k	4	
MJD44E3		80	10	1k			
BUB323Z		350	10	500	3400	2	D2PAK

NOTE: All devices in this table are AEC-Qualified and PPAP-Capable. Contact ON Semiconductor for details.

LOW SATURATION VOLTAGE TRANSISTORS

	NPN	PNP	$V_{(BR)CEO}$ Min (V)	I_C Peak Max (mA)	h_{FE} Min	h_{FE} Max	f_T Min (MHz)	$V_{CE(sat)}$ @ 1.0 A Max (V)	Package	
Single	NSS1C201L		100	3	120	360	100	0.105	SOT-23	
		NSS1C200L	100	3	120	360	100	0.115		
	NSS60201L		60	4	200	500	150	0.07		
		NSS60200L	60	4	200	500	100	0.095		
	NSS40201L		40	4	200	500	150	0.06		
		NSS40200L	40	4	250	500	100	0.095		
		NSS1C210MZ4		100	3	100	300	100	0.12	SOT-223
		NSS1C200MZ4		100	3	100	300	100	0.14	
		NSS60601MZ4		60	12	120	360	100	0.06	
		NSS60600MZ4		60	12	120	360	100	0.07	
		NSS40301MZ4		40	5	200	500	200	0.05	SOT-223
		NSS40300MZ4		40	5	200	500	100	0.05	
	NSS40601CF8		40	7	200	500	100	0.1	ChipFET	
	NSS40600CF8		40	7	200	500	100	0.1		
Dual	NSS40301MD08		40	4	200	500	100	0.06	SOIC-8	
		NSS40300MD08	40	4	200	500	100	0.08		

NOTE: All devices in this table are AEC-Qualified and PPAP-Capable. Contact ON Semiconductor for details.

BIPOLAR POWER TRANSISTORS

NPN	PNP	I_C Max (mA)	$V_{(BR)CEO}$ Min (V)	h_{FE} Min	h_{FE} Max	f_T Min (MHz)	P_D Watts	Package
NUT4031N	NUT4030P	3	40	200	500	100	2	SOT-223
NJD2873		2	50	120	360	65	12.5	DPAK
MJD31C	MJD32C	3	100	10	50	3	15	
MJD148		4	45	85	375	3	20	
MJD243	MJD253	4	100	40	180	40	12.5	
MJD41C	MJD42C	6	100	15	75	3	20	
MJD44H11	MJD45H11	8	80	60			20	
MJD3055	MJD2955	10	60	20	100	2	20	
MJB41C	MJB42C	6	100	15	75	3	65	
MJB44H11	MJB45H11	8	80	60			50	D2PAK

NOTE: All devices in this table are AEC-Qualified and PPAP-Capable. Contact ON Semiconductor for details.

SCHOTTKY RECTIFIERS

Device	V_{RRM} (V)	$I_{O(rec)}$ (A)	V_F Max (V)	I_R Max (mA)	I_{FSM} (A)	AEC-PPAP	Package
MBRD620CT	20	6	0.7	0.1	75	Note 1	DPAK
MBR0530	30	0.5	0.43	0.1	5.5	Note 1	SOD-123
MBRS130L	30	1	0.395	1.0	40	Note 1	SMB
MBRD1035CTL	35	10	0.47	2.0	50	Note 1	DPAK
MBR140SF	40	1	0.55	0.5	30	Note 1	SOD-123 FL
MBRA140	40	1	0.55	0.5	30	Note 2	SMA
MBRS140	40	1	0.6	1.0	40	Note 1	SMB
MBRA340	40	3	0.45	0.3	100	Note 1	SMA
MBRS1540	40	1.5	0.46	0.8	40	Note 1	SMB
MBRS2040L	40	2	0.43	0.8	70	Note 1	SMB
MBRS240L	40	2	0.43	2.0	25	Note 1	SMB
MBRD340	40	3	0.6	0.2	75	Note 1	DPAK
MBRS340	40	3	0.5	2.0	80	Note 1	SMC
MBRS540	40	5	0.5	0.3	190	Note 1	SMC
MBRD640CT	40	6	0.7	0.1	75	Note 1	DPAK
MBRB1045	45	10	0.57	0.1	150	Note 1	D2PAK
MBRD1045	45	10	0.57	0.1	70	Note 1	DPAK
MBRB1545CT	45	15	0.57	0.1	150	Note 1	D2PAK
MBRB1645	45	16	0.63	0.2	150	Note 2	D2PAK
MBRB2545CT	45	30	0.62	0.2	150	Note 2	D2PAK
MBRD350	50	3	0.6	0.2	75	Note 1	DPAK
MBRD650CT	50	6	0.7	0.1	75	Note 1	DPAK
MBRA160	60	1	0.51	0.2	60	Note 1	SMA
MBRS160	60	1	0.63	0.2	60	Note 1	SMB
MBRS360	60	3	0.74	0.2	125	Note 1	SMC
MBRD360	60	3	0.6	0.2	75	Note 1	DPAK
MBRD660CT	60	6	0.7	0.1	75	Note 1	DPAK
MBRB2060CT	60	20	0.95	0.2	150	Note 2	D2PAK
MBRB30H60CT	60	30	0.62	0.3	260	Note 1	D2PAK
MBRS190	90	1	0.75	0.5	50	Note 1	SMB
MBRM1H100T3G	100	1	0.76	0.02	50	Note 1	Powermite
MBR1H100SFT3G	100	1	0.76	0.04	50	Note 1	SOD-123 FL
MBRA1H100T3G	100	1	0.76	0.04	50	Note 1	SMA
MBRS1100	100	1	0.75	0.5	50	Note 1	SMB
MBRM2H100T3G	100	2	0.84	0.02	50	Note 1	Powermite
MBR2H100SFT3G	100	2	0.84	0.04	50	Note 1	SOD-123 FL
MBRA2H100T3G	100	2	0.79	0.008	130	Note 1	SMA
MBRS2H100	100	2	0.79	0.008	130	Note 1	SMB
MBRS3100	100	3	0.79	0.050	130	Note 1	SMC
MBRD5H100	100	5	0.71	0.004	105	Note 2	DPAK
MBRB8H100	100	8	0.71	0.005	250	Note 2	D2PAK
MBRB20100CT	100	20	0.85	0.1	150	Note 2	D2PAK
MBRS3200	200	3	0.84	1.0	100	Note 1	SMB
MBRS3201	200	3	0.84	1.0	100	Note 1	SMC
MBRS4201	200	4	0.86	1.0	100	Note 2	SMC
MBRB20200CT	200	20	0.9	1.0	150	Note 2	D2PAK

NOTE 1: Devices are AEC-Qualified and PPAP-Capable. Contact ON Semiconductor for details.

NOTE 2: Contact ON Semiconductor for AEC and PPAP status.

ULTRAFAST RECTIFIERS

Device	V _{RRM} (V)	I _{O(rec)} (A)	V _F Max (V)	I _R Max (μA)	I _{FSM} (A)	t _{rr} Max (ns)	AEC-PPAP	Package
MURA110	100	1	0.875	2.0	50	30	Note 1	SMA
MURS110	100	1	0.875	2.0	40	35	Note 1	SMB
MURA210	100	2	0.94	2.0	50	30	Note 1	SMA
MURS210	100	2	0.94	2.0	50	30	Note 1	SMB
MURA120	200	1	0.875	2.0	40	35	Note 1	SMA
MURS120	200	1	0.875	2.0	40	35	Note 1	SMB
MURA220	200	2	0.95	2.0	40	35	Note 1	SMA
MURS220	200	2	0.95	2.0	40	35	Note 1	SMB
MURD320	200	3	0.95	5.0	75	35	Note 1	DPAK
MURS320	200	3	0.875	5.0	75	35	Note 1	SMC
MSRD620CT	200	6	1.15	5.0	50	45	Note 1	DPAK
MSRD620CTR	200	6	1.15	1.0	45	75	Note 1	DPAK
MURD620CT	200	6	1.0	5.0	50	35	Note 1	DPAK
MURB1620CTR	200	16	1.2	5.0	100	85	Note 1	D2PAK
MURB1620CT	200	16	0.975	5.0	100	35	Note 1	D2PAK
MURF1620C	200	16	0.975	5.0	100	35	Note 2	TO-220 FP
MURD530	300	5	1.05	5.0	75	50	Note 1	DPAK
MURA140	400	1	1.1	5.0	35	65	Note 1	SMA
MURS160	600	1	1.25	5.0	35	75	Note 1	SMB
MURHS160	600	1	2.4	20.0	15	35	Note 2	SMB
MURS360	600	3	1.25	10.0	75	75	Note 1	SMC
MURHD560	600	5	2.7	10.0	50	30	Note 1	DPAK

NOTE 1: Devices are AEC-Qualified and PPAP-Capable. Contact ON Semiconductor for details. NOTE 2: Contact ON Semiconductor for AEC and PPAP status.

IGBTs

Device	Current	Clamp Voltage	V _{ce(on)} @ I _C = 10A V _{ge} = 4.5 V; T _J = 25°C	Logic Level	ESD protected	Hi Pulse Current Capability	Package
NGD8201N	20 A	400 V	1.3 V	yes	yes	yes	DPAK
NGB8202N	20 A	400 V	1.3 V	yes	yes	yes	D2PAK
NGB8207N	20 A	360 V	1.5 V	Yes	Yes	Yes	D2PAK
NGD8205N	20 A	350 V	1.3 V	yes	yes	yes	DPAK
NGB8206N	20 A	350 V	1.3 V	yes	yes	Yes	D2PAK
NGD18N40CLB	18 A	400 V	2.0 V	Yes	Yes	Yes	DPAK
NGB8204N	18 A	400 V	2.0 V	yes	yes	yes	D2PAK
NGB18N40CLB	18 A	400 V	2.0 V	yes	yes	yes	D2PAK
NGB15N41CL	15 A	410 V	2.1 V	yes	yes	yes	D2PAK

NOTE: All devices in this table are AEC-Qualified and PPAP-Capable. Contact ON Semiconductor for details. ‡ See data sheet for details.

Self-Protected MOSFETs

Type	Device	Clamp V _{DSS} (V) (Typ)	R _{DS(on)} V _{GS} =10 V @ 25°C (mΩ)	Thermal Protect V _{GS} = 5 V off	ID Limit V _{GS} =5 V; 25°C/150°C (Typ)	ESD (HBM)	Single Pulse Avalanche Energy (mJ)	Package
Clamping	NID9N05CL	55	90	9 (Max)	N	5 kV	160	DPAK
	NCV8440	55	95	2.6 (Max)	N	5 kV	110	SOT-223
Low Side	NCV8405	46	90	9 / 5	175°C	4 kV	300	SOT-223
	NCV8401	46	23	30 / 16	175°C	4 kV	800	DPAK
	NCV8402	46	165	4.7 / 3.2	175°C	4 kV	150	SOT-223
	NCV8402D	46	165	4.3 / 3.0	175°C	4 kV	150	SOIC-8
	NCV8403	46	53	15 / 10	175°C	4 kV	470	DPAK, SOT-223
	NID5004N	40	110	6.5 / 5.5	175°C	4 kV	273	DPAK
	NID6002N	65	185	6.4 / 5.5	175°C	8 kV	143	DPAK
High Side	NCV8450	52	1000	0.8 / 0.5	175°C	5 kV	29	SOT-223

All devices are AEC-Qualified and PPAP-Capable. Contact ON Semiconductor for details.

MOSFETs

Device	Polarity	Configuration	V _{(BR)DSS} Min (V)	R _{DS(ON)} Max (mΩ)	Q _g Typ (nC)	I _D Max (A)	P _D Max (W)	AEC-PPAP	Package
NTJD4001N	N Channel	Dual	30	1500	0.9	0.25	0.272	Note 1	SC-88/SC-70/SOT-363
NTMD4820N	N Channel	Dual	30	20	7.7	6.4	1.28	Note 2	SOIC-8
NTMD4840N	N Channel	Dual	30	24	5.2	5.5	1.14	Note 2	SOIC-8
NTJD4001N	N Channel	Dual	30	1500	0.9	0.25	0.272	Note 1	SC-88/SC-70/SOT-363
NTMD4N03	N Channel	Dual	30	60	8	4	2	Note 2	SOIC-8
NTMD6N03	N Channel	Dual	30	32	19	6	2	Note 2	SOIC-8
NTMS4807N	N Channel	Single	30	6.1	24	12.2	0.86	Note 2	SOIC-8
NTMS4816N	N Channel	Single	30	10	9.2	9	1.37	Note 2	SOIC-8
NTMS4872N	N Channel	Single	30	13.5	10	10.2	2.4	Note 2	SOIC-8
MGSF1N03L	N Channel	Single	30	100		1.6	0.42	Note 1	SOT-23
NTA7002N	N Channel	Single	30	7000		0.154	0.3	Note 1	SC-75
NTB75N03L09	N Channel	Single	30	80	57	75	150	Note 1	D2PAK-3
NTD20N03L27	N Channel	Single	30	27	13.8	20	74	Note 1	DPAK
NTD4302	N Channel	Single	30	10	55	18.5	5	Note 1	DPAK
NTD4804N	N Channel	Single	30	4	30	117	93.75	Note 2	DPAK
NTD4805N	N Channel	Single	30	5	20.5	88	66	Note 2	DPAK
NTD4806N	N Channel	Single	30	6	15	76	60	Note 2	DPAK
NTD4808N	N Channel	Single	30	8	11.3	63	54.6	Note 2	DPAK
NTD4809NH	N Channel	Single	30	9	12.5	58	52	Note 2	DPAK
NTD4809N	N Channel	Single	30	9	11	58	52	Note 2	DPAK
NTD4810N	N Channel	Single	30	10	9.2	54	50	Note 2	DPAK
NTD4813NH	N Channel	Single	30	13	7.1	40	35.3	Note 2	DPAK
NTD4813N	N Channel	Single	30	13	6.9	40	35.3	Note 2	DPAK
NTD4815NH	N Channel	Single	30	13	6.4	35	32.6	Note 2	DPAK
NTD4815N	N Channel	Single	30	15	6	35	32.6	Note 2	DPAK
NTMS7N03	N Channel	Single	30	23	26	7	2.5	Note 2	SOIC-8
NTMSD6N303	N Channel	Single	30	32	19	6	2	Note 2	SOIC-8
NTR4003N	N Channel	Single	30	1500	1.15	0.56	0.83	Note 1	SOT-23
NTR4503N	N Channel	Single	30	140	3.6	2.5	0.73	Note 1	SOT-23
NTS4001N	N Channel	Single	30	1500	0.9	0.27	0.33	Note 1	SC-70
NTMD3P03	P Channel	Dual	30	85	16	3.05	2	Note 2	SOIC-8
MTB50P03HDL	P Channel	Single	30	25	74	50	125	Note 1	D2PAK
NTD25P03L	P Channel	Single	30	72	15	25	75	Note 1	DPAK
NTF5P03	P Channel	Single	30	100	15	5	3.13	Note 1	SOT-223
NTGS3455	P Channel	Single	30	100	9	3.5	2	Note 1	TSOP-6
NTMS3P03	P Channel	Single	30	85	16	3.05	1.25	Note 2	SOIC-8
NTR4502P	P Channel	Single	30	200	6	1.95	1.25	Note 1	SOT-23
NTR4502P	P Channel	Single	30	200	6	1.95	1.25	Note 1	SOT-23
NTMD6N04	N Channel	Dual	40	0.034	20	4.6	2	Note 2	SOIC-8
NTB5404N	N Channel	Single	40	4.5	125	136	167	Note 1	D2PAK
NTB5405N	N Channel	Single	40	5.8	88	116	150	Note 1	D2PAK
NTD5406N	N Channel	Single	40	10	45	70	100	Note 1	DPAK
NTD5407N	N Channel	Single	40	26	20	38	75	Note 1	DPAK
NTP5404N	N Channel	Single	40	4.5	125	136	167	Note 1	TO-220
NTD5802N	N Channel	Single	40	4.4	75	101	94	Note 1	DPAK
NTD5803N	N Channel	Single	40	7.2	51	76	83	Note 1	DPAK
NTD5804N	N Channel	Single	40	8.5	45	69	71	Note 1	DPAK
NTD5805N	N Channel	Single	40	9.5	33	51	47	Note 1	DPAK
NTD5806N	N Channel	Single	40	19	17	33	40	Note 1	DPAK
NTD5807N	N Channel	Single	40	31	12.6	23	33	Note 1	DPAK

NOTE 1: Devices are AEC-Qualified and PPAP-Capable. Contact ON Semiconductor for details.

NOTE 2: Contact ON Semiconductor for AEC and PPAP status.

MOSFETs

Device	Polarity	Configuration	V _{(BR)DSS} Min (V)	R _{DS(ON)} Max (mΩ)	Q _g Typ (nC)	I _D Max (A)	P _D Max (W)	AEC-PPAP	Package
BSS138L	N Channel	Single	50	3500		0.2	0.225	Note 1	SOT-23
BSS84L	P Channel	Single	50	10000		0.13	0.225	Note 1	SOT-23
2N7002L	N Channel	Single	60	7500		0.115	0.3	Note 1	SOT-23
BS170	N Channel	Single	60	5000		0.5	0.35	Note 1	TO-92
MMBF170L	N Channel	Single	60	5000		0.5	0.225	Note 1	SOT-23
MMFT960	N Channel	Single	60	1700	3.2	0.3	0.8	Note 1	SOT-223
NTB18N06L	N Channel	Single	60	100	7.3	15	48.4	Note 1	D2PAK
NTB30N06L	N Channel	Single	60	46	16	30	88.2	Note 1	D2PAK
NTB45N06L	N Channel	Single	60	28	23	45	125	Note 1	D2PAK
NTB45N06	N Channel	Single	60	26	33	45	125	Note 1	D2PAK
NTB60N06L	N Channel	Single	60	16	43.2	60	136.4	Note 1	D2PAK
NTB60N06	N Channel	Single	60	14	62	60	136.4	Note 1	D2PAK
NTB75N06	N Channel	Single	60	9.5	92	75	214	Note 1	D2PAK
NTD18N06L	N Channel	Single	60	65	11	18	55	Note 1	DPAK
NTD18N06	N Channel	Single	60	60	15.3	18	55	Note 1	DPAK
NTD20N06L	N Channel	Single	60	48	16.6	20	60	Note 1	DPAK
NTD20N06	N Channel	Single	60	46	21.2	20	60	Note 1	DPAK
NTD24N06L	N Channel	Single	60	45	16	24	62.5	Note 2	DPAK
NTD24N06	N Channel	Single	60	42	24	24	62.5	Note 2	DPAK
NTD3055-094	N Channel	Single	60	94	10.9	12	48	Note 1	DPAK
NTD3055-150	N Channel	Single	60	150	7.1	9	28.8	Note 1	DPAK
NTD3055L104	N Channel	Single	60	104	7.4	12	48	Note 1	DPAK
NTD3055L170	N Channel	Single	60	170	4.7	9	28.8	Note 1	DPAK
NTD32N06L	N Channel	Single	60	28	23	32	93.75	Note 1	DPAK
NTD32N06	N Channel	Single	60	26	33	32	93.75	Note 1	DPAK
NTF3055-100	N Channel	Single	60	100	10.6	3	2.1	Note 1	SOT-223
NTF3055-100	N Channel	Single	60	100	10.6	3	2.1	Note 1	SOT-223
NTF3055L108	N Channel	Single	60	120	7.6	3	2.1	Note 1	SOT-223
NTF3055L175	N Channel	Single	60	175	5.1	2	2.1	Note 1	SOT-223
NTP5426N	N Channel	Single	60	6	150	120	215	Note 1	TO-220
NTB5426N	N Channel	Single	60	6	150	120	215	Note 1	D2PAK
NTP5411N	N Channel	Single	60	10	92	80	166	Note 1	TO-220
NTB5411N	N Channel	Single	60	10	92	80	166	Note 1	D2PAK
NTP5412N	N Channel	Single	60	14	66	60	125	Note 1	TO-220
NTB5412N	N Channel	Single	60	14	66	60	125	Note 1	D2PAK
NTD5413N	N Channel	Single	60	26	35	30	68	Note 1	DPAK
NTD5414N	N Channel	Single	60	37	25	24	55	Note 1	DPAK
MTB30P06V	P Channel	Single	60	80	54	30	125	Note 1	D2PAK
MTD5P06V	P Channel	Single	60	450	12	5	40	Note 1	DPAK
NTB25P06	P Channel	Single	60	82	33	27.5	120	Note 1	D2PAK
NTB5605P	P Channel	Single	60	140	13	18.5	88	Note 1	D2PAK
NTD20P06L	P Channel	Single	60	150	15	15.5	65	Note 1	DPAK
NTD2955	P Channel	Single	60	180	15	12	55	Note 1	DPAK
NTF2955	P Channel	Single	60	170	14.3	2.6	1	Note 1	SOT-223
NTP2955	P Channel	Single	60	196	14	12	2.4	Note 1	TO-220
NTMD3N08L	N Channel	Dual	80	215	5.1	2.3	3.1	Note 2	SOIC-8
BSS123L	N Channel	Single	100	6000		0.17	0.225	Note 1	SOT-23
NTB52N10	N Channel	Single	100	30	72	52	178	Note 1	D2PAK
NTD12N10	N Channel	Single	100	165	14	12	56.6	Note 1	DPAK
NTD6600N	N Channel	Single	100	146	11.3	12	56.6	Note 1	DPAK

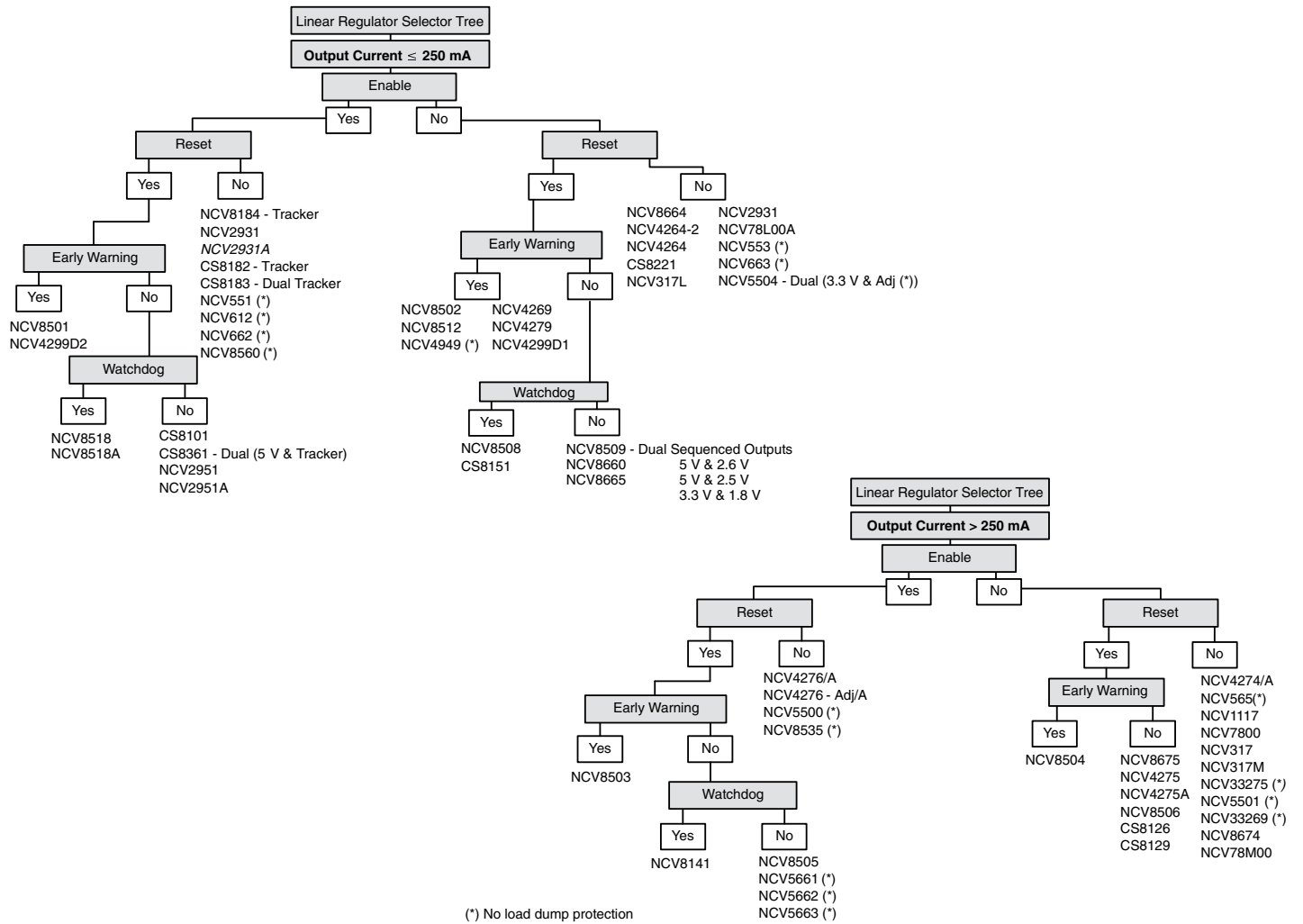
NOTE 1: Devices are AEC-Qualified and PPAP-Capable. Contact ON Semiconductor for details.

NOTE 2: Contact ON Semiconductor for AEC and PPAP status.

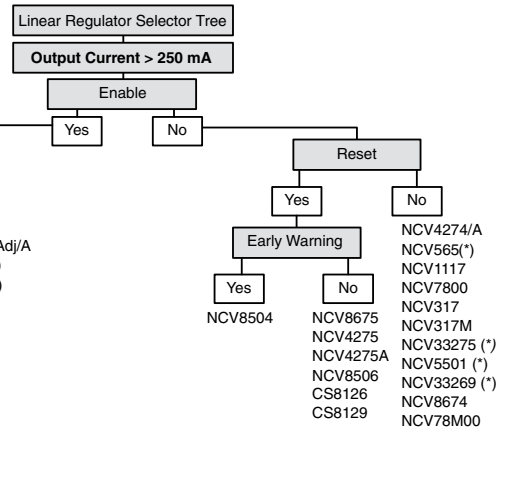
MOSFETs

Device	Polarity	Configuration	V _{(BR)DSS} Min (V)	R _{DS(ON)} Max (mΩ)	Q _g Typ (nC)	I _D Max (A)	P _D Max (W)	AEC-PPAP	Package
NTB6410AN	N Channel	Single	100	13	120	76	188	Note 1	D2PAK
NTP6410AN	N Channel	Single	100	13	120	76	188	Note 1	TO220
NTB6411AN	N Channel	Single	100	14	100	72	188	Note 1	D2PAK
NTP6411AN	N Channel	Single	100	14	100	72	188	Note 1	TO220
NTB6412AN	N Channel	Single	100	18.2	73	58	167	Note 1	D2PAK
NTP6412AN	N Channel	Single	100	18.2	73	58	167	Note 1	TO220
NTB6413AN	N Channel	Single	100	28	51	42	136	Note 1	D2PAK
NTP6413AN	N Channel	Single	100	28	51	42	136	Note 1	TO220
NTD6414AN	N Channel	Single	100	37	40	32	100	Note 1	DPAK
NTD6415AN	N Channel	Single	100	55	29	23	83	Note 1	DPAK
NTD6416ANL	N Channel	Single	100	74	25	19	71	Note 1	DPAK
NTD6416AN	N Channel	Single	100	81	20	17	71	Note 1	DPAK
MTD6N15	N Channel	Single	150	300	15	6	20	Note 1	DPAK
NTB35N15	N Channel	Single	150	50	70	37	178	Note 1	D2PAK
BS107	N Channel	Single	200	14000		0.25	0.35	Note 1	TO-92
BS108	N Channel	Single	200	10000		0.25	0.35	Note 1	TO-92
NTB30N20	N Channel	Single	200	81	75	30	214	Note 1	D2PAK

NOTE 1: Devices are AEC-Qualified and PPAP-Capable. Contact ON Semiconductor for details.
 NOTE 2: Contact ON Semiconductor for AEC and PPAP status.



(* No load dump protection)



Sales and Design Assistance from ON Semiconductor

ON Semiconductor Distribution Partners

AMSC Co.	www.amsco.jp	(81) 422 54 6622
Arrow Electronics	www.arrow.com	(800) 777-2776
Avnet	www.em.avnet.com	(800) 332-8638
Digi-Key	www.digikey.com	(800) 344-4539
EBV Elektronik	www.ebv.com/en/locations.html	(49) 8121 774-0
Fuji Electric Co.	www.fujiele.co.jp	(81) 3 3814 1411
Future & FAI Electronics	www.futureelectronics.com/contact	1-800-FUTURE1 (388-8731)
KH Electronics Inc.	www.khelec.com/kor	(82) 42 471 8521
Marubun	www.marubun.co.jp	(81) 3 3639 5630
Mitsui Electronics Inc.	www.btel.co.jp	(81) 3 6403 5900
Mouser Electronics	www.mouser.com	(800) 346-6873
Newark/Farnell	www.farnell.com/onsemi	(800) 4-NEWARK
Promate Electronic Co.	www.promate.com.tw	(886) 2 2659 0303
Segyung Bristestone Co.	www.bristestone.com	(82) 2 3218 1511
Serial Microelectronics, HK	www.serialsys.com.hk	(852) 2790 8220
Taewon Inc.	www.taewon.net	(82) 2 6679 9000
Tokyo Electron Device Co.	hwww.teldevice.co.jp	(81) 45 443 4000
World Peace Industries Co.	www.wpi-group.com	(852) 2365 4860
WT Microelectronics Co.	www.wtmec.com	(852) 2950 0820
Yosun Electronics	www.yosun.com.tw	(886) 2 2659 8168

AMERICAS REP FIRMS

Alabama	Huntsville	e-Components	(256) 533-2444
Brazil	Countrywide	Ammon & Rizos	(+55) 11-4688-1960
California	Bay Area	L2	(408) 433-9388
Canada	Eastern Canada	Astec	(905) 607-1444
	Western Canada	Sifore	(503) 977-6267
Connecticut	Statewide	Genesis Associates	(781) 270-9540
Florida	Statewide	e-Components	(888) 468-2444
Georgia	Atlanta	e-Components	(888) 468-2444
	St. Charles (South)	Stan Clothier Company	(847) 781-4010
Illinois	Palatine (North)	HLC Ltd.	(847) 358-6500
	Fishers	Bear VAI	(317) 570-0707
Iowa	Cedar Rapids	Essig & Associates	(319) 363-8703
Kansas	Overland Park	Stan Clothier Company	(913) 894-1675
Maryland	Columbia	Third Wave Solutions	(410) 290-5990
Massachusetts	Burlington	Genesis Associates	(781) 270-9540
Mexico	Countrywide	Ammon & Rizos	(+55) 11-4688-1960
Michigan	St. Joseph	Bear VAI	(440) 526-1991
Minnesota	Eden Prairie	Stan Clothier Company	(952) 944-3456
Missouri	St. Charles	Stan Clothier Company	(636) 916-3777
New Jersey	Statewide	S.J. Metro	(516) 942-3232
New York	Binghamton	TriTech - Full Line Rep	(607) 722-3580
	Jericho	S.J. Metro	(516) 942-3232
	Rochester	TriTech - Full Line Rep	(585) 385-6500
North Carolina	Raleigh	e-Components	(888) 468-2444
Ohio	Brecksville	Bear VAI Technology	(440) 526-1991
Oregon	Portland	SiFore Technical	(503) 977-6267
Puerto Rico	Countrywide	e-Components	(888) 468-2444
Washington	Bellevue	SiFore Technical	(425) 990-4701
Wisconsin	Eden Prairie (NW)	Stan Clothier Company	(608) 882-0686
	Milwaukee (SE)	HLC Ltd.	(847) 358-6500

INTERNATIONAL

GREATER CHINA	Beijing	86-10-8518-2323
	Chengdu	86-28-8678-4078
	Hong Kong	852-2689-0088
	Shenzhen	86-755-8209-1128
	Shanghai	86-21-5131-7168
	Taipei, Taiwan	886-2-2377-9911
FRANCE	Paris	33 (0)1 39-26-41-00
GERMANY	Munich	49 (0) 89-93-0808-0
ISRAEL	Raanana	972 (0) 9-9609-111
ITALY	Milan	39 02 9239311
JAPAN	Tokyo	81-3-5773-3850
KOREA	Seoul	82-2-2190-3500
MALAYSIA	Penang	60-4-226-9368
SINGAPORE	Singapore	65-6391-1260
SLOVAKIA	Piestany	421 33 790 2450
UNITED KINGDOM	Slough	44 (0) 1753 70 1676

For a comprehensive listing of ON Semiconductor Sales Offices, please visit:
www.onsemi.com/salesupport



ON Semiconductor and the ON logo are registered trademarks of Semiconductor Components Industries, LLC (SCILLC). SCILLC reserves the right to make changes without further notice to any products herein. SCILLC makes no warranty, representation or guarantee regarding the suitability of its products for any particular purpose, nor does SCILLC assume any liability arising out of the application or use of any product or circuit, and specifically disclaims any and all liability, including without limitation special, consequential or incidental damages. "Typical" parameters which may be provided in SCILLC data sheets and/or specifications can and do vary in different applications and actual performance may vary over time. All operating parameters, including "Typicals" must be validated for each customer application by customer's technical experts. SCILLC does not convey any license under its patent rights nor the rights of others. SCILLC products are not designed, intended, or authorized for use as components in systems intended for surgical implant into the body, or other applications intended to support or sustain life, or for any other application in which the failure of the SCILLC product could create a situation where personal injury or death may occur. Should Buyer purchase or use SCILLC products for any such unintended or unauthorized application, Buyer shall indemnify and hold SCILLC and its officers, employees, subsidiaries, affiliates, and distributors harmless against all claims, costs, damages, and expenses, and reasonable attorney fees arising out of, directly or indirectly, any claim of personal injury or death associated with such unintended or unauthorized use, even if such claim alleges that SCILLC was negligent regarding the design or manufacture of the part. SCILLC is an Equal Opportunity/Affirmative Action Employer. This literature is subject to all applicable copyright laws and is not for resale in any manner.

PUBLICATION ORDERING INFORMATION

LITERATURE FULFILLMENT:

Literature Distribution Center for ON Semiconductor
 P.O. Box 5163, Denver, Colorado 80217 USA
Phone: 303-675-2175 or 800-344-3860 Toll Free USA/Canada
Fax: 303-675-2176 or 800-344-3867 Toll Free USA/Canada
Email: orderlit@onsemi.com

N. American Technical Support: 800-282-9855 Toll Free
 USA/Canada.

Europe, Middle East and Africa Technical Support:
 Phone: 421 33 790 2910

Japan Customer Focus Center
 Phone: 81-3-5773-3850

ON Semiconductor Website: www.onsemi.com

Order Literature: <http://www.onsemi.com/orderlit>

For additional information, please contact your local
 Sales Representative