

製品概要

NCN6001: Smart Card Interface

技術情報は、データシートをご参照ください。

The NCN6001 is an integrated circuit dedicated to the smart card interface applications. The device handles any type of smart card through a simple and flexible micro controller interface. On top of that, thanks to the built in chip select pin, several couplers can be connected in parallel. The device is particularly suited for low cost, low power applications, with high extended battery life coming from extremely low quiescent current.

特長

- 100% compatible with ISO 7816-3, EMV and GIE-CB standards
- Fully GSM Compliant
- Wide battery supply voltage range : $2.7 < V_{CC} < 5.5V$
- Programmable CRD_VCC supply handles 1.8V, 3V or 5V card operation.
- Programmable rise and fall card clock slopes
- Programmable card clock divider
- Built-in Chip Select logic allows parallel coupling operation
- ESD protection on card pins (8 kV, Human Body Model)
- Supports up to 40 MHz input Clock
- Built-in programmable CRD_CLK stop function handles Run or Low state.

For more features, see the data sheet

アプリケーション

- E-commerce interface

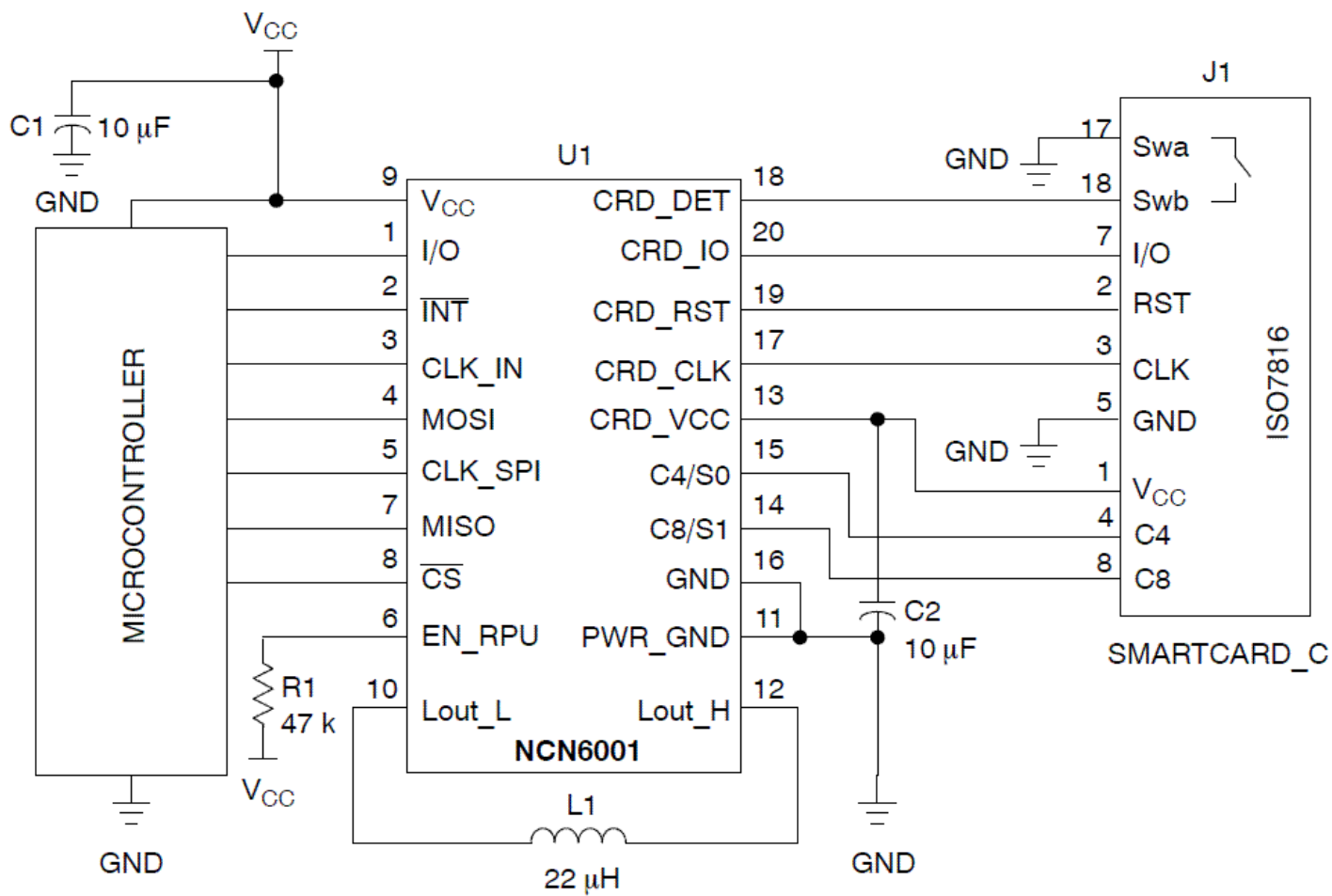
最終製品

- POS / ATM
- Pay TV

電氣的仕様

製品	Compliance	Status	V _{CC} Min (V)	V _{CC} Max (V)	I _T Typ (mA)	I _{I(standby)} Max (μA)	f _{clock} Max (MHz)	Package Type
NCN6001DTBR2G	Pb-free Halide free	Active	2.7	6	0.5	60	40	TSSOP-20

アプリケーション・ダイアグラム



詳細は、弊社 www.onsemi.jp の営業または販売代理店にお問い合わせください。

7/19/2019 作成