

ON Semiconductor

Is Now

The logo for onsemi, featuring the word "onsemi" in a dark teal, lowercase, sans-serif font. The letter "i" is stylized with a white dot and a teal vertical bar. A small orange triangle is positioned above the top right of the "i". A trademark symbol (TM) is located to the right of the logo.

To learn more about onsemi™, please visit our website at
www.onsemi.com

onsemi and **onsemi** and other names, marks, and brands are registered and/or common law trademarks of Semiconductor Components Industries, LLC dba "**onsemi**" or its affiliates and/or subsidiaries in the United States and/or other countries. **onsemi** owns the rights to a number of patents, trademarks, copyrights, trade secrets, and other intellectual property. A listing of **onsemi** product/patent coverage may be accessed at www.onsemi.com/site/pdf/Patent-Marking.pdf. **onsemi** reserves the right to make changes at any time to any products or information herein, without notice. The information herein is provided "as-is" and **onsemi** makes no warranty, representation or guarantee regarding the accuracy of the information, product features, availability, functionality, or suitability of its products for any particular purpose, nor does **onsemi** assume any liability arising out of the application or use of any product or circuit, and specifically disclaims any and all liability, including without limitation special, consequential or incidental damages. Buyer is responsible for its products and applications using **onsemi** products, including compliance with all laws, regulations and safety requirements or standards, regardless of any support or applications information provided by **onsemi**. "Typical" parameters which may be provided in **onsemi** data sheets and/or specifications can and do vary in different applications and actual performance may vary over time. All operating parameters, including "Typicals" must be validated for each customer application by customer's technical experts. **onsemi** does not convey any license under any of its intellectual property rights nor the rights of others. **onsemi** products are not designed, intended, or authorized for use as a critical component in life support systems or any FDA Class 3 medical devices or medical devices with a same or similar classification in a foreign jurisdiction or any devices intended for implantation in the human body. Should Buyer purchase or use **onsemi** products for any such unintended or unauthorized application, Buyer shall indemnify and hold **onsemi** and its officers, employees, subsidiaries, affiliates, and distributors harmless against all claims, costs, damages, and expenses, and reasonable attorney fees arising out of, directly or indirectly, any claim of personal injury or death associated with such unintended or unauthorized use, even if such claim alleges that **onsemi** was negligent regarding the design or manufacture of the part. **onsemi** is an Equal Opportunity/Affirmative Action Employer. This literature is subject to all applicable copyright laws and is not for resale in any manner. Other names and brands may be claimed as the property of others.

NCV881930/NCV891930 - Mixed Capacitor Technology Filtering



ON Semiconductor®

www.onsemi.com

APPLICATION NOTE

Introduction

High output current applications subject to large load transients may be implemented with an all-ceramic technology output filtering solution. The bulk output capacitance requirement can become somewhat costly and occupy substantial PCB area. A lower cost solution is obtained through the use of mixed technology ceramic and aluminum polymer (or solid aluminum electrolytic) capacitors.

NCV881930 and NCV891930 Output Capacitor Filtering

NCV881930 (410 kHz) and NCV891930 (2 MHz) are low quiescent current automotive synchronous buck controllers having internal preset slope and feedback loop compensation. Preset internal compensation results in fixed current sense resistors and output filtering component

values. IC internal compensations were optimized for designs having large load transients requiring larger value bulk output capacitor filters. Recommended current sense resistor and output filter components in Figure 1 are provided in Table 1 and Table 2 and for all-ceramic capacitor solutions.

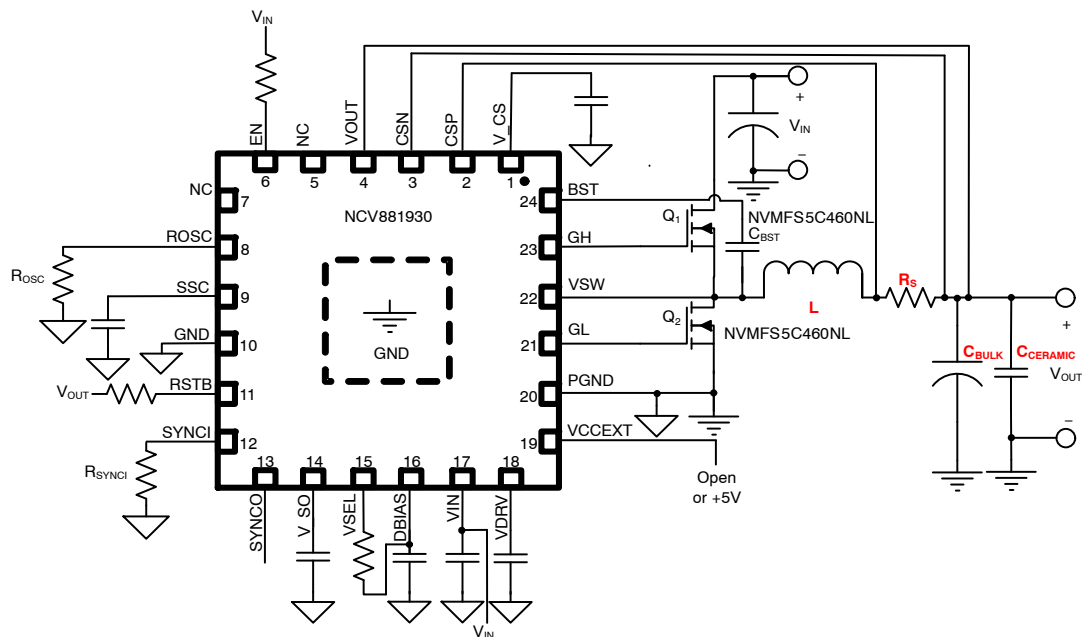


Figure 1. NCV881930 5 V Application Schematic Example

AND9824/D

Table 1. 410 kHz NCV881930MW00R2G VALUE RECOMMENDATIONS

Output Current (A)	MOSFET	3.3 V Option			5 V Option		
		Inductor Value (μH)	Current Sense Resistor (Ω)	Output Capacitance (Ceramic) (μF)	Inductor Value (μH)	Current Sense Resistor (Ω)	Output Capacitance (Ceramic) (μF)
6	NVMFS5C460NL	3.3	(2x0.012) 0.006	(11x22) 242	4.7	(2x0.012) 0.006	(9x22) 198
7	NVMFS5C460NL	3.3	(2x0.011) 0.0055	(13x22) 286	3.3	(2x0.010) 0.005	(10x22) 220
8	NVMFS5C460NL	2.2	(2x0.009) 0.0045	(15x22) 330	3.3	(2x0.009) 0.0045	(12x22) 264
9	NVMFS5C460NL	2.2	(2x0.008) 0.004	(16x22) 352	3.3	(2x0.008) 0.004	(13x22) 286
10	NVMFS5C460NL	2.2	(2x0.007) 0.0035	(18x22) 396	2.2	(2x0.007) 0.0035	(13x22) 286

Table 2. 2 MHz NCV891930MW00R2G VALUE RECOMMENDATIONS

Output Current (A)	MOSFET	3.3 V Option			5 V Option		
		Inductor Value (μH)	Current Sense Resistor (Ω)	Output Capacitance (Ceramic) (μF)	Inductor Value (μH)	Current Sense Resistor (Ω)	Output Capacitance (Ceramic) (μF)
2	NVTFS5C478NL	2.2	0.028	(7x10)	3.3	0.028	(5x10)
	NVMFD5C470NL			70			50
3	NVTFS5C478NL	1.5	0.018	(11x10)	2.2	0.0195	(8x10)
	NVMFD5C470NL			110			80
4	NVTFS5C478NL	1.0	0.0135	(14x10) 140	1.5	0.0135	(11x10) 110
5	NVMFS5C468NL	0.80	0.011	(18x10) 180	1.2	0.011	(12x10) 120
6	NVMFS5C468NL	0.65	0.009	(22x10) 220	1.0	0.009	(15x10) 150

Minimum bulk capacitance requirement is dependent on output current, load transient amplitude and output voltage transient response from the application specifications. All-ceramic technology solutions may become cost prohibitive at higher current ratings. A technology mix of ceramic and aluminum polymer (or solid aluminum electrolytic) capacitors will result in a lower cost solution and occupy less PCB area. Mixed capacitor technology recommendations provided in Table 3 and Table 4 are based on an analysis for a ± 3% maximum voltage transient response for a load step current transient of 50% to 100% of rated current.

Ceramic capacitor component deratings are described in the NCV881930 and NCV891930 IC datasheet's application note section. Aluminum-polymer capacitance initial derating of 20% were included for the analysis; additional derating may need to be considered.

Bulk Capacitor Filter Analysis

There is limited literature available for practical guidelines for selecting mixed technology capacitor values

for output filtering. The approach used in this application note is as follows:

- Determine a minimum ceramic capacitor value based on steady-state output current operation to meet ripple and noise filtering requirements [1] using equation 1.
- Determine a minimum bulk capacitor value for the load transient [2] using equation 3 which includes bulk capacitor ESR.

$$C_{\text{ceramic}} = \frac{1}{(2\pi f_o)^2 \cdot L} \quad (\text{eq. 1})$$

where

$$f_o = \frac{f_s}{\pi} \cdot \sqrt{\frac{2 \Delta V_{\text{ripple}}}{(1 - D_{\text{min}}) \cdot V_{\text{out}}}} \quad (\text{Hz}) \quad (\text{eq. 2})$$

L = output inductor (H)

f_s = switching frequency (Hz)

D_{min} = minimum duty ratio

ΔV_{ripple} = steady state ripple voltage (V)

AND9824/D

$$C_{out_minimum} = \frac{1}{2\pi f_c} \cdot \frac{1}{\text{phasemargin}_{factor} \cdot \frac{\Delta V_{transient}}{\Delta I_{loadstep}} - ESR_{Cout}} \quad (eq. 3)$$

where

f_c = power supply bandwidth (Hz)

$\Delta V_{transient}$ = maximum load transient voltage (V)

$\Delta I_{loadstep}$ = load transient current (A)

ESR_{Cout} = bulk capacitor ESR (Ω)

$$\text{phasemargin}_{factor} = \sqrt{1 - 2 \cos(\text{phasemargin})}$$

Table 3. NCV881930MW00 RECOMMENDED MIXED TECHNOLOGY CAPACITORS

Iout (A)	Technology	NCV881930MW00	
		3.3 V	5 V
6	Ceramic	2 x 22 μ F	2 x 22 μ F
	Alum Poly	2 x 120 μ F	2 x 100 μ F
8	Ceramic	2 x 22 μ F	2 x 22 μ F
	Alum Poly	2 x 180 μ F	2 x 120 μ F
10	Ceramic	2 x 22 μ F	2 x 22 μ F
	Alum Poly	2 x 220 μ F	2 x 180 μ F
14	Ceramic	-	3 x 22 μ F
	Alum Poly	-	2 x 220 μ F
20	Ceramic	-	3 x 22 μ F
	Alum Poly	-	3 x 220 μ F

Table 4. NCV891930MW00 RECOMMENDED MIXED TECHNOLOGY CAPACITORS

Iout (A)	Technology	NCV891930MW00	
		3.3 V	5 V
2	Ceramic	1 x 10 μ F	1 x 10 μ F
	Alum Poly	2 x 33 μ F	1 x 56 μ F
4	Ceramic	1 x 10 μ F	1 x 10 μ F
	Alum Poly	2 x 68 μ F	2 x 56 μ F
6	Ceramic:	1 x 10 μ F	1 x 10 μ F
	Alum Poly	2 x 120 μ F	2 x 68 μ F
8	Ceramic	2 x 10 μ F	2 x 10 μ F
	Alum Poly	2 x 180 μ F	2 x 100 μ F

Capacitors from Table 3 and Table 4 are described in Table 5:

Table 5. CAPACITOR INFORMATION


Capacitor	Technology	ESR (m Ω)
10 μ F/10V X7R 1210	Ceramic	2.9
22 μ F/10V X7R 1210	Ceramic	4.0
33 μ F/6.3V 2917	Aluminum Polymer	28
56 μ F/6.3V 2917	Aluminum Polymer	28
68 μ F/6.3V 2917	Aluminum Polymer	28
100 μ F/6.3V 2917	Aluminum Polymer	18
120 μ F/6.3V 2917	Aluminum Polymer	15
180 μ F/6.3V 2917	Aluminum Polymer	15
220 μ F/6.3V 2917	Aluminum Polymer	15

Additional low value output noise ceramic decoupling capacitors are recommended (e.g. 0.1 μ F, 1 nF).

Bulk capacitors having different ESR values may be considered subject to transient load response requirements. For a given load step current, a larger bulk capacitor ESR value results in an increased amplitude of the output voltage transient response.

Reference:

- [1] C. Basso, "Switch-Mode Power Supplies – SPICE Simulations and Practical Designs", McGraw-Hill, 2014.
- [2] F. Mueller, "Predicting the Load Transient Response of Switch Mode Power Supplies", www.bodospower.com, June 2015.

ON Semiconductor and  are trademarks of Semiconductor Components Industries, LLC dba ON Semiconductor or its subsidiaries in the United States and/or other countries. ON Semiconductor owns the rights to a number of patents, trademarks, copyrights, trade secrets, and other intellectual property. A listing of ON Semiconductor's product/patent coverage may be accessed at www.onsemi.com/site/pdf/Patent-Marking.pdf. ON Semiconductor reserves the right to make changes without further notice to any products herein. ON Semiconductor makes no warranty, representation or guarantee regarding the suitability of its products for any particular purpose, nor does ON Semiconductor assume any liability arising out of the application or use of any product or circuit, and specifically disclaims any and all liability, including without limitation special, consequential or incidental damages. Buyer is responsible for its products and applications using ON Semiconductor products, including compliance with all laws, regulations and safety requirements or standards, regardless of any support or applications information provided by ON Semiconductor. "Typical" parameters which may be provided in ON Semiconductor data sheets and/or specifications can and do vary in different applications and actual performance may vary over time. All operating parameters, including "Typicals" must be validated for each customer application by customer's technical experts. ON Semiconductor does not convey any license under its patent rights nor the rights of others. ON Semiconductor products are not designed, intended, or authorized for use as a critical component in life support systems or any FDA Class 3 medical devices or medical devices with a same or similar classification in a foreign jurisdiction or any devices intended for implantation in the human body. Should Buyer purchase or use ON Semiconductor products for any such unintended or unauthorized application, Buyer shall indemnify and hold ON Semiconductor and its officers, employees, subsidiaries, affiliates, and distributors harmless against all claims, costs, damages, and expenses, and reasonable attorney fees arising out of, directly or indirectly, any claim of personal injury or death associated with such unintended or unauthorized use, even if such claim alleges that ON Semiconductor was negligent regarding the design or manufacture of the part. ON Semiconductor is an Equal Opportunity/Affirmative Action Employer. This literature is subject to all applicable copyright laws and is not for resale in any manner.

PUBLICATION ORDERING INFORMATION

LITERATURE FULFILLMENT:

Literature Distribution Center for ON Semiconductor
19521 E. 32nd Pkwy, Aurora, Colorado 80011 USA
Phone: 303-675-2175 or 800-344-3860 Toll Free USA/Canada
Fax: 303-675-2176 or 800-344-3867 Toll Free USA/Canada
Email: orderlit@onsemi.com

N. American Technical Support: 800-282-9855 Toll Free
USA/Canada
Europe, Middle East and Africa Technical Support:
Phone: 421 33 790 2910

ON Semiconductor Website: www.onsemi.com
Order Literature: <http://www.onsemi.com/orderlit>

For additional information, please contact your local Sales Representative