

# Silicon Carbide (SiC) Schottky Diode – EliteSiC, 10 A, 650 V, D1, DPAK

## FFSD1065A

### Description

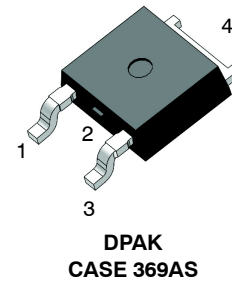
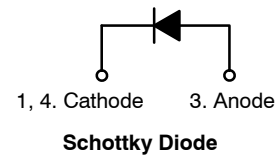
Silicon Carbide (SiC) Schottky Diodes use a completely new technology that provides superior switching performance and higher reliability compared to Silicon. No reverse recovery current, temperature independent switching characteristics, and excellent thermal performance sets Silicon Carbide as the next generation of power semiconductor. System benefits include highest efficiency, faster operating frequency, increased power density, reduced EMI, and reduced system size and cost.

### Features

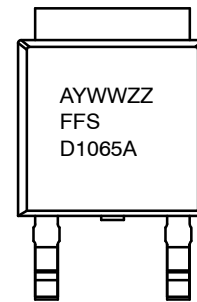
- Max Junction Temperature 175°C
- Avalanche Rated 64 mJ
- High Surge Current Capacity
- Positive Temperature Coefficient
- Ease of Paralleling
- No Reverse Recovery/No Forward Recovery
- This Device is Pb-Free, Halogen Free/BFR Free and RoHS Compliant

### Applications

- General Purpose
- SMPS, Solar Inverter, UPS
- Power Switching Circuits



### MARKING DIAGRAM



- |           |                           |
|-----------|---------------------------|
| A         | = Assembly Plant Code     |
| YWW       | = Date Code (Year & Week) |
| ZZ        | = Lot Code                |
| FFSD1065A | = Specific Device Code    |

### ORDERING INFORMATION

See detailed ordering and shipping information on page 2 of this data sheet.

# FFSD1065A

## MAXIMUM RATINGS (T<sub>C</sub> = 25°C unless otherwise noted)

| Symbol                            | Rating  | Parameter                     | FFSD1065A    | Unit |
|-----------------------------------|---|-------------------------------|--------------|------|
| V <sub>RRM</sub>                  | Peak Repetitive Reverse Voltage                               |                               | 650          | V    |
| E <sub>AS</sub>                   | Single Pulse Avalanche Energy (Note 1)                        |                               | 64           | mJ   |
| I <sub>F</sub>                    | Continuous Rectified Forward Current @ T <sub>C</sub> < 158°C |                               | 10           | A    |
|                                   | Continuous Rectified Forward Current @ T <sub>C</sub> < 135°C |                               | 18           |      |
| I <sub>F,MAX</sub>                | Non-Repetitive Peak Forward Surge Current                     | T <sub>C</sub> = 25°C, 10 μs  | 760          | A    |
|                                   |   | T <sub>C</sub> = 150°C, 10 μs | 740          | A    |
| I <sub>F,SM</sub>                 | Non-Repetitive Forward Surge Current                          | Half-Sine Pulse, tp = 8.3 ms  | 56           | A    |
| I <sub>F,RM</sub>                 | Repetitive Forward Surge Current                              | Half-Sine Pulse, tp = 8.3 ms  | 34           | A    |
| P <sub>tot</sub>                  | Power Dissipation   | T <sub>C</sub> = 25°C         | 150          | W    |
|                                   |   | T <sub>C</sub> = 150°C        | 25           | W    |
| T <sub>J</sub> , T <sub>STG</sub> | Operating and Storage Temperature Range                       |                               | -55 to + 175 | °C   |

Stresses exceeding those listed in the Maximum Ratings table may damage the device. If any of these limits are exceeded, device functionality should not be assumed, damage may occur and reliability may be affected.

## THERMAL CHARACTERISTICS

| Symbol           | Parameter                                  | Value | Unit |
|------------------|--|-------|------|
| R <sub>θJC</sub> | Thermal Resistance, Junction to Case, Max. | 1.0   | °C/W |

## ELECTRICAL CHARACTERISTICS (T<sub>C</sub> = 25°C unless otherwise noted)

| Symbol | Parameter | Test Condition | Min | Typ | Max | Unit |
|--------|-----------|----------------|-----|-----|-----|------|
|--------|-----------|----------------|-----|-----|-----|------|

### OFF CHARACTERISTICS

|                |                         |  |   |      |      |    |
|----------------|-------------------------|--|---|------|------|----|
| V <sub>F</sub> | Forward Voltage         | I <sub>F</sub> = 10 A, T <sub>C</sub> = 25°C   | - | 1.50 | 1.75 | V  |
|                |                         | I <sub>F</sub> = 10 A, T <sub>C</sub> = 125°C  | - | 1.6  | 2.0  |    |
|                |                         | I <sub>F</sub> = 10 A, T <sub>C</sub> = 175°C  | - | 1.72 | 2.4  |    |
| I <sub>R</sub> | Reverse Current         | V <sub>R</sub> = 650 V, T <sub>C</sub> = 25°C  | - | -    | 200  | μA |
|                |                         | V <sub>R</sub> = 650 V, T <sub>C</sub> = 125°C | - | -    | 400  |    |
|                |                         | V <sub>R</sub> = 650 V, T <sub>C</sub> = 175°C | - | -    | 600  |    |
| Q <sub>C</sub> | Total Capacitive Charge | V = 400 V                                      | - | 34   | -    | nC |
| C              | Total Capacitance       | V <sub>R</sub> = 1 V, f = 100 kHz              | - | 575  | -    | pF |
|                |                         | V <sub>R</sub> = 200 V, f = 100 kHz            | - | 62   | -    |    |
|                |                         | V <sub>R</sub> = 400 V, f = 100 kHz            | - | 47   | -    |    |

1. E<sub>AS</sub> of 64 mJ is based on starting T<sub>J</sub> = 25°C; L = 0.5 mH, I<sub>AS</sub> = 16 A, V = 50 V.

## ORDERING INFORMATION

| Device    | Marking   | Package | Reel Size <sup>†</sup> | Tape Width | Quantity |
|-----------|-----------|---------|------------------------|------------|----------|
| FFSD1065A | FFSD1065A | DPAK    | 13"                    | N/A        | 2500     |

<sup>†</sup>For information on tape and reel specifications, including part orientation and tape sizes, please refer to our Tape and Reel Packaging Specifications Brochure, [BRD8011/D](#)

TYPICAL CHARACTERISTICS  
( $T_J = 25^\circ\text{C}$  UNLESS OTHERWISE NOTED)

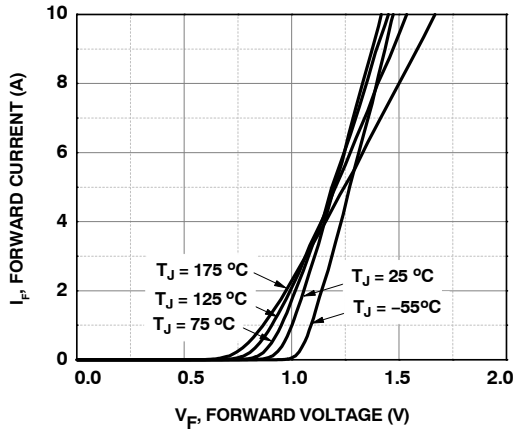


Figure 1. Forward Characteristics

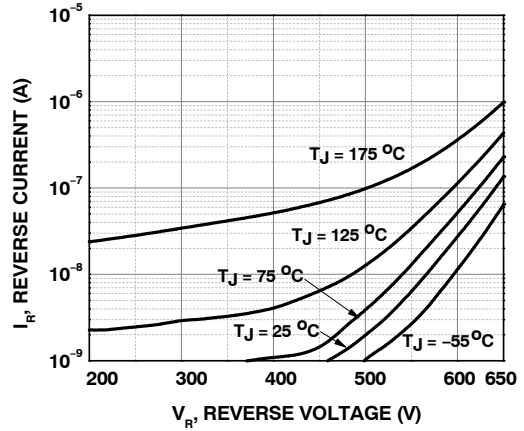


Figure 2. Reverse Characteristics

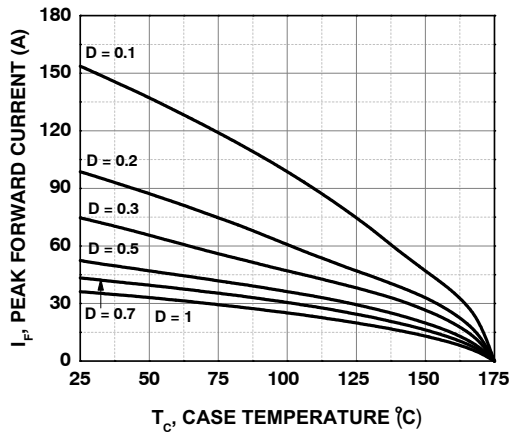


Figure 3. Current Derating

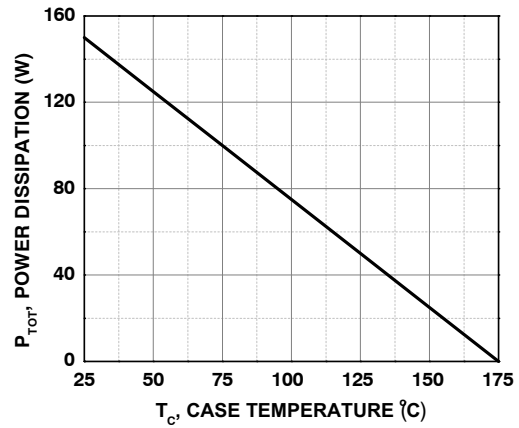


Figure 4. Power Derating

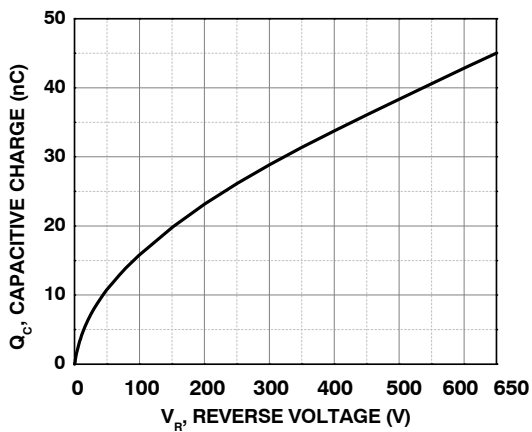


Figure 5. Capacitive Charge vs. Reverse Voltage

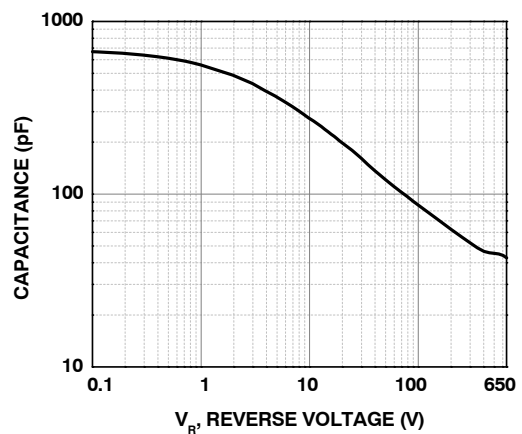


Figure 6. Capacitance vs. Reverse Voltage

# FFSD1065A

## TYPICAL CHARACTERISTICS (CONTINUED)

( $T_J = 25^\circ\text{C}$  UNLESS OTHERWISE NOTED)

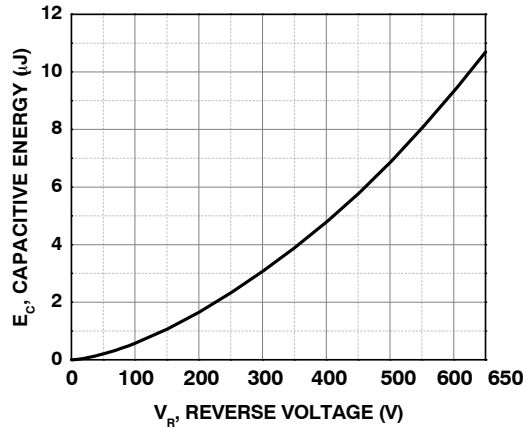


Figure 7. Capacitance Stored Energy

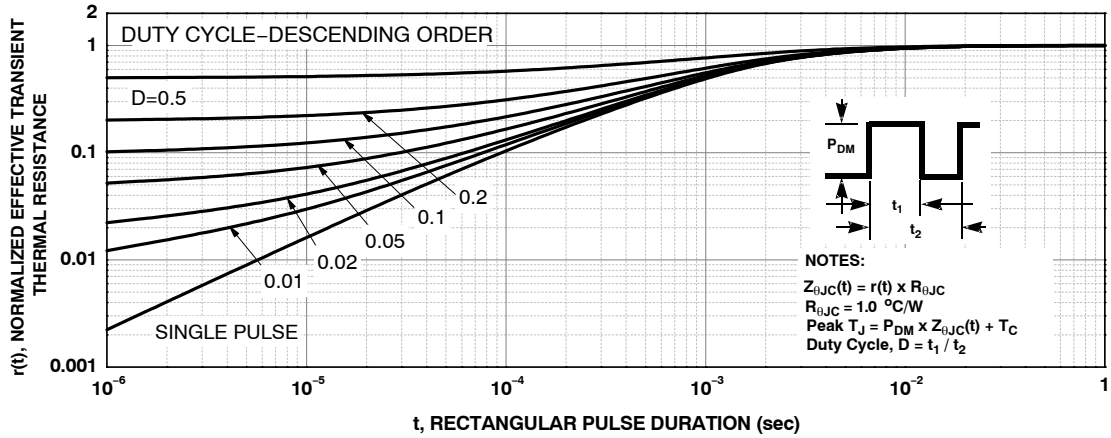


Figure 8. Junction-to-Case Transient Thermal Response Curve

## TEST CIRCUIT AND WAVEFORMS

$L = 0.5 \text{ mH}$   
 $R < 0.1 \Omega$   
 $V_{DD} = 50 \text{ V}$   
 $E_{AVL} = 1/2LI^2 [V_{R(AVL)} / (V_{R(AVL)} - V_{DD})]$   
 $Q1 = \text{IGBT (} BV_{CES} > \text{DUT } V_{R(AVL)} \text{)}$

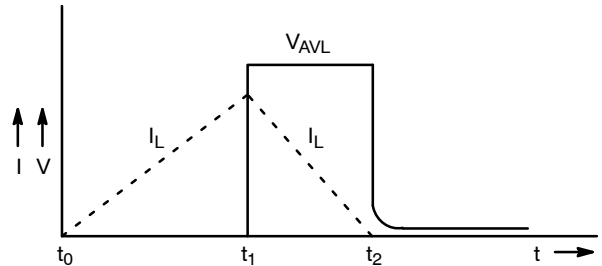
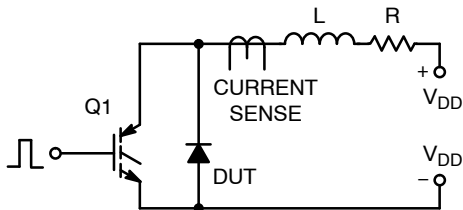
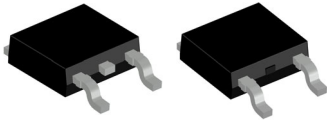
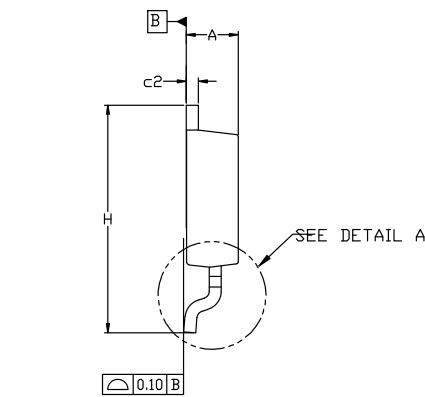
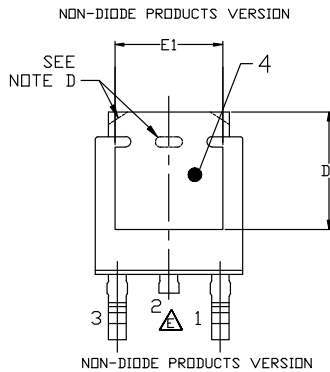
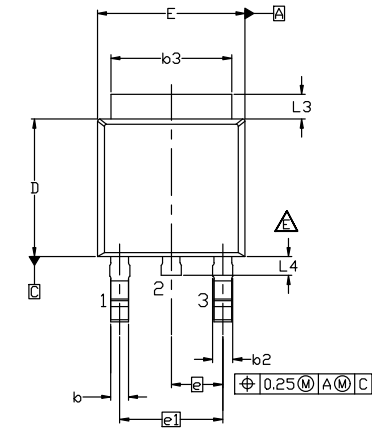


Figure 9. Unclamped Inductive Switching Test Circuit & Waveform

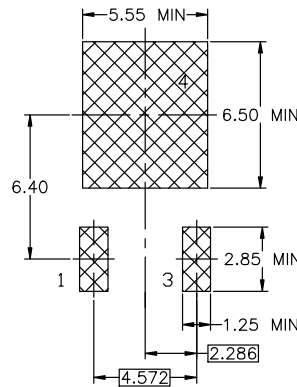
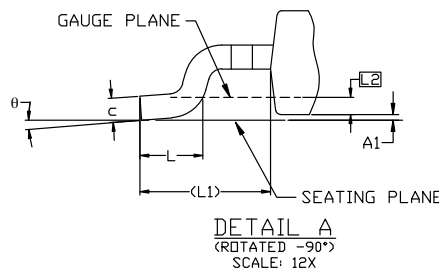


**DPAK3 6.10x6.54x2.29, 4.57P  
CASE 369AS  
ISSUE B**

DATE 20 DEC 2023



- NOTES: UNLESS OTHERWISE SPECIFIED  
 A) THIS PACKAGE CONFORMS TO JEDEC, TO-252, ISSUE F, VARIATION AA.  
 B) ALL DIMENSIONS ARE IN MILLIMETERS.  
 C) DIMENSIONING AND TOLERANCING PER ASME Y14.5M-2018.  
 D) SUPPLIER DEPENDENT MOLD LOCKING HOLES OR CHAMFERED CORNERS OR EDGE PROTRUSION.  
 E) FOR DIODE PRODUCTS, L4 IS 0.25 MM MAX PLASTIC BODY STUB WITHOUT CENTER LEAD.  
 F) DIMENSIONS ARE EXCLUSIVE OF BURRS, MOLD FLASH AND TIE BAR EXTRUSIONS.  
 G) LAND PATTERN RECOMMENDATION IS BASED ON IPC7351A STD TD228P991X239-3N.

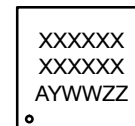


**LAND PATTERN RECOMMENDATION**

\*FOR ADDITIONAL INFORMATION ON OUR Pb-FREE STRATEGY AND SOLDERING DETAILS, PLEASE DOWNLOAD THE ON SEMICONDUCTOR SOLDERING AND MOUNTING TECHNIQUES REFERENCE MANUAL, SOLDERM/D.

| DIM | MILLIMETERS |      |       |
|-----|-------------|------|-------|
|     | MIN.        | NOM. | MAX.  |
| A   | 2.18        | 2.29 | 2.39  |
| A1  | 0.00        | -    | 0.127 |
| b   | 0.64        | 0.77 | 0.89  |
| b2  | 0.76        | 0.95 | 1.14  |
| b3  | 5.21        | 5.34 | 5.46  |
| c   | 0.45        | 0.53 | 0.61  |
| c2  | 0.45        | 0.52 | 0.58  |
| D   | 5.97        | 6.10 | 6.22  |
| D1  | 5.21        | ---  | ---   |
| E   | 6.35        | 6.54 | 6.73  |
| E1  | 4.32        | ---  | ---   |
| e   | 2.286 BSC   |      |       |
| e1  | 4.572 BSC   |      |       |
| H   | 9.40        | 9.91 | 10.41 |
| L   | 1.40        | 1.59 | 1.78  |
| L1  | 2.90 REF    |      |       |
| L2  | 0.51 BSC    |      |       |
| L3  | 0.89        | 1.08 | 1.27  |
| L4  | ---         | ---  | 1.02  |
| θ   | 0°          | ---  | 10°   |

**GENERIC MARKING DIAGRAM\***



\*This information is generic. Please refer to device data sheet for actual part marking. Pb-Free indicator, "G" or microdot "•", may or may not be present. Some products may not follow the Generic Marking.

XXXX = Specific Device Code  
 A = Assembly Location  
 Y = Year  
 WW = Work Week  
 ZZ = Assembly Lot Code

|                         |                                    |  |
|-------------------------|------------------------------------|--|
| <b>DOCUMENT NUMBER:</b> | <b>98AON13810G</b>                 | Electronic versions are uncontrolled except when accessed directly from the Document Repository. Printed versions are uncontrolled except when stamped "CONTROLLED COPY" in red. |
| <b>DESCRIPTION:</b>     | <b>DPAK3 6.10x6.54x2.29, 4.57P</b> | <b>PAGE 1 OF 1</b>   |

onsemi and Onsemi are trademarks of Semiconductor Components Industries, LLC dba onsemi or its subsidiaries in the United States and/or other countries. onsemi reserves the right to make changes without further notice to any products herein. onsemi makes no warranty, representation or guarantee regarding the suitability of its products for any particular purpose, nor does onsemi assume any liability arising out of the application or use of any product or circuit, and specifically disclaims any and all liability, including without limitation special, consequential or incidental damages. onsemi does not convey any license under its patent rights nor the rights of others.

**onsemi**, **Onsemi**, and other names, marks, and brands are registered and/or common law trademarks of Semiconductor Components Industries, LLC dba "**onsemi**" or its affiliates and/or subsidiaries in the United States and/or other countries. **onsemi** owns the rights to a number of patents, trademarks, copyrights, trade secrets, and other intellectual property. A listing of **onsemi**'s product/patent coverage may be accessed at [www.onsemi.com/site/pdf/Patent-Marking.pdf](http://www.onsemi.com/site/pdf/Patent-Marking.pdf). **onsemi** reserves the right to make changes at any time to any products or information herein, without notice. The information herein is provided "as-is" and **onsemi** makes no warranty, representation or guarantee regarding the accuracy of the information, product features, availability, functionality, or suitability of its products for any particular purpose, nor does **onsemi** assume any liability arising out of the application or use of any product or circuit, and specifically disclaims any and all liability, including without limitation special, consequential or incidental damages. Buyer is responsible for its products and applications using **onsemi** products, including compliance with all laws, regulations and safety requirements or standards, regardless of any support or applications information provided by **onsemi**. "Typical" parameters which may be provided in **onsemi** data sheets and/or specifications can and do vary in different applications and actual performance may vary over time. All operating parameters, including "Typicals" must be validated for each customer application by customer's technical experts. **onsemi** does not convey any license under any of its intellectual property rights nor the rights of others. **onsemi** products are not designed, intended, or authorized for use as a critical component in life support systems or any FDA Class 3 medical devices or medical devices with a same or similar classification in a foreign jurisdiction or any devices intended for implantation in the human body. Should Buyer purchase or use **onsemi** products for any such unintended or unauthorized application, Buyer shall indemnify and hold **onsemi** and its officers, employees, subsidiaries, affiliates, and distributors harmless against all claims, costs, damages, and expenses, and reasonable attorney fees arising out of, directly or indirectly, any claim of personal injury or death associated with such unintended or unauthorized use, even if such claim alleges that **onsemi** was negligent regarding the design or manufacture of the part. **onsemi** is an Equal Opportunity/Affirmative Action Employer. This literature is subject to all applicable copyright laws and is not for resale in any manner.

## ADDITIONAL INFORMATION

### TECHNICAL PUBLICATIONS:

Technical Library: [www.onsemi.com/design/resources/technical-documentation](http://www.onsemi.com/design/resources/technical-documentation)  
onsemi Website: [www.onsemi.com](http://www.onsemi.com)

### ONLINE SUPPORT: [www.onsemi.com/support](http://www.onsemi.com/support)

For additional information, please contact your local Sales Representative at [www.onsemi.com/support/sales](http://www.onsemi.com/support/sales)