



Is Now Part of



**ON Semiconductor®**

To learn more about ON Semiconductor, please visit our website at  
[www.onsemi.com](http://www.onsemi.com)

Please note: As part of the Fairchild Semiconductor integration, some of the Fairchild orderable part numbers will need to change in order to meet ON Semiconductor's system requirements. Since the ON Semiconductor product management systems do not have the ability to manage part nomenclature that utilizes an underscore (\_), the underscore (\_) in the Fairchild part numbers will be changed to a dash (-). This document may contain device numbers with an underscore (\_). Please check the ON Semiconductor website to verify the updated device numbers. The most current and up-to-date ordering information can be found at [www.onsemi.com](http://www.onsemi.com). Please email any questions regarding the system integration to [Fairchild\\_questions@onsemi.com](mailto:Fairchild_questions@onsemi.com).

ON Semiconductor and the ON Semiconductor logo are trademarks of Semiconductor Components Industries, LLC dba ON Semiconductor or its subsidiaries in the United States and/or other countries. ON Semiconductor owns the rights to a number of patents, trademarks, copyrights, trade secrets, and other intellectual property. A listing of ON Semiconductor's product/patent coverage may be accessed at [www.onsemi.com/site/pdf/Patent-Marking.pdf](http://www.onsemi.com/site/pdf/Patent-Marking.pdf). ON Semiconductor reserves the right to make changes without further notice to any products herein. ON Semiconductor makes no warranty, representation or guarantee regarding the suitability of its products for any particular purpose, nor does ON Semiconductor assume any liability arising out of the application or use of any product or circuit, and specifically disclaims any and all liability, including without limitation special, consequential or incidental damages. Buyer is responsible for its products and applications using ON Semiconductor products, including compliance with all laws, regulations and safety requirements or standards, regardless of any support or applications information provided by ON Semiconductor. "Typical" parameters which may be provided in ON Semiconductor data sheets and/or specifications can and do vary in different applications and actual performance may vary over time. All operating parameters, including "Typicals" must be validated for each customer application by customer's technical experts. ON Semiconductor does not convey any license under its patent rights nor the rights of others. ON Semiconductor products are not designed, intended, or authorized for use as a critical component in life support systems or any FDA Class 3 medical devices or medical devices with a same or similar classification in a foreign jurisdiction or any devices intended for implantation in the human body. Should Buyer purchase or use ON Semiconductor products for any such unintended or unauthorized application, Buyer shall indemnify and hold ON Semiconductor and its officers, employees, subsidiaries, affiliates, and distributors harmless against all claims, costs, damages, and expenses, and reasonable attorney fees arising out of, directly or indirectly, any claim of personal injury or death associated with such unintended or unauthorized use, even if such claim alleges that ON Semiconductor was negligent regarding the design or manufacture of the part. ON Semiconductor is an Equal Opportunity/Affirmative Action Employer. This literature is subject to all applicable copyright laws and is not for resale in any manner.

# FSUSB40 — Low-Power, Two-Port, Hi-Speed, USB2.0 (480Mbps) Switch

## Features

- Low On Capacitance: 5.9pF Typical
- Low On Resistance: 3.9Ω Typical
- Low Power Consumption: 1μA Maximum
  - 15μA Maximum I<sub>CC</sub>T over an Expanded Voltage Range (V<sub>IN</sub>=1.8V, V<sub>CC</sub>=4.3V)
- Wide -3db Bandwidth: > 720MHz
- Packaged in:
  - 10-Lead MicroPak™ (1.6 x 2.1mm)
  - 10-Lead UMLP (1.4 x 1.8mm)
- 8kV ESD Rating, >16kV Power/GND ESD Rating
- Power-Off Protection on All Ports When V<sub>CC</sub>=0V
  - D+/D- Pins Tolerate up to 5.25V
- Over-Voltage Tolerance (OVT) on all USB Ports Up to 5.25V without External Components

## Applications

- Cell phone, PDA, Digital Camera, and Notebook
- LCD Monitor, TV, and Set-Top Box

## IMPORTANT NOTE:

For additional performance information, please contact [analogswitch@fairchildsemi.com](mailto:analogswitch@fairchildsemi.com).


## Description

The FSUSB40 is a bi-directional, low-power, two-port, Hi-Speed, USB2.0 switch. Configured as a double-pole, double-throw switch (DPDT) switch, it is optimized for switching between two Hi-Speed (480Mbps) sources or a Hi-Speed and Full-Speed (12Mbps) source.

The FSUSB40 is compatible with the requirements of USB2.0 and features an extremely low on capacitance (C<sub>ON</sub>) of 5.9pF. The wide bandwidth of this device (720MHz) exceeds the bandwidth needed to pass the third harmonic, resulting in signals with minimum edge and phase distortion. Superior channel-to-channel crosstalk also minimizes interference.

The FSUSB40 contains special circuitry on the switch I/O pins for applications where the V<sub>CC</sub> supply is powered-off (V<sub>CC</sub>=0), which allows the device to withstand an over-voltage condition. This device is designed to minimize current consumption even when the control voltage applied to the SEL pin is lower than the supply voltage (V<sub>CC</sub>). This feature is especially valuable to ultra-portable applications, such as cell phones, allowing for direct interface with the general-purpose I/Os of the baseband processor. Other applications include switching and connector sharing in portable cell phones, PDAs, digital cameras, printers, and notebook computers.

## Ordering Information

| Part Number | Top Mark | Operating Temperature Range |  Eco Status | Package  |
|-------------|----------|-----------------------------|--|--|
| FSUSB40L10X | HD       | -40 to +85°C                | RoHS   | 10-Lead MicroPak™ 1.6 x 2.1mm, JEDEC MO-255B                         |
| FSUSB40UMX  | HC       | -40 to +85°C                | Green  | 10-Lead, Quad, Ultrathin Molded Leadless Package (UMLP), 1.4 x 1.8mm |

MicroPak™ is a trademark of Fairchild Semiconductor Corporation.

 For Fairchild's definition of Eco Status, please visit: [http://www.fairchildsemi.com/company/green/rohs\\_green.html](http://www.fairchildsemi.com/company/green/rohs_green.html).

## Analog Symbol

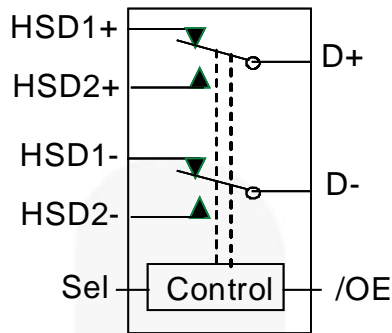


Figure 1. Analog Symbol

## Pin Assignments

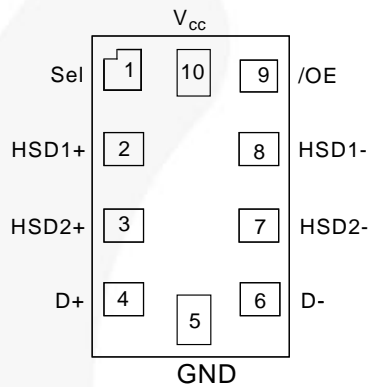


Figure 2. Pad Assignments for MicroPak™ (Top Through View)

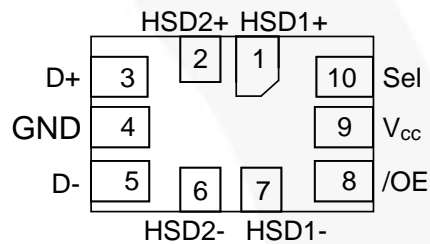


Figure 3. Pin Assignments for UMLP (Top Through View)

## Pin Definitions

| MicroPak™ Pin # | UMLP Pin # | Name         | Description               |
|-----------------|------------|--------------|---------------------------|
| 9               | 8          | /OE          | Switch Enable             |
| 1               | 10         | Sel          | Switch Select             |
| 4, 6            | 3, 5       | D+, D-       | USB Data Bus              |
| 2, 3, 7, 8      | 1, 2, 6, 7 | HSDn+, HSDn- | Multiplexed Source inputs |
| 5               | 4          | GND          | Ground                    |

## Truth Table

| Sel | /OE | Function            |
|-----|-----|---------------------|
| X   | H   | Disconnect          |
| L   | L   | D+, D-=HSD1+, HSD1- |
| H   | L   | D+, D-=HSD2+, HSD2- |

## Absolute Maximum Ratings

Stresses exceeding the absolute maximum ratings may damage the device. The device may not function or be operable above the recommended operating conditions and stressing the parts to these levels is not recommended. In addition, extended exposure to stresses above the recommended operating conditions may affect device reliability. The absolute maximum ratings are stress ratings only.

| Symbol      | Parameter                                | Min.         | Max.     | Unit |    |
|-------------|--|--------------|----------|------|----|
| $V_{CC}$    | Supply Voltage                           | -0.5         | +5.5     | V    |    |
| $V_{CNTRL}$ | DC Input Voltage (S, /OE) <sup>(1)</sup> | -0.5         | $V_{CC}$ | V    |    |
| $V_{SW}$    | DC Switch I/O Voltage <sup>(1)</sup>     | -0.50        | 5.25     | V    |    |
| $I_{IK}$    | DC Input Diode Current                   | -50          |          | mA   |    |
| $I_{OUT}$   | DC Output Current                        |              | 100      | mA   |    |
| $T_{STG}$   | Storage Temperature                      | -65          | +150     | °C   |    |
| ESD         | Human Body Model, JEDEC: JESD22-A114     | All Pins     |          | 7    | kV |
|             |  | I/O to GND   |          | 8    |    |
|             |  | Power to GND |          | 16   |    |
|             | Charged Device Model, JEDEC: JESD22-C101 |              |          | 2    |    |

**Note:**

- The input and output negative ratings may be exceeded if the input and output diode current ratings are observed.

## Recommended Operating Conditions

The Recommended Operating Conditions table defines the conditions for actual device operation. Recommended operating conditions are specified to ensure optimal performance to the datasheet specifications. Fairchild does not recommend exceeding them or designing to Absolute Maximum Ratings.

| Symbol      | Parameter                                     | Min. | Max.     | Unit |
|-------------|---|------|----------|------|
| $V_{CC}$    | Supply Voltage                                | 3.0  | 4.3      | V    |
| $V_{CNTRL}$ | Control Input Voltage (S, /OE) <sup>(2)</sup> | 0    | $V_{CC}$ | V    |
| $V_{SW}$    | Switch I/O Voltage                            | -0.5 | 4.5      | V    |
| $T_A$       | Operating Temperature                         | -40  | +85      | °C   |

**Note:**

- The control input must be held HIGH or LOW and it must not float.

## DC Electrical Characteristics

All typical value are at 25°C unless otherwise specified.

| Symbol           | Parameter  | Conditions   | V <sub>CC</sub> (V) | T <sub>A</sub> =- 40°C to +85°C |      |      | Units |
|------------------|--|--|---------------------|---------------------------------|------|------|-------|
|                  |  |  |                     | Min.                            | Typ. | Max. |       |
| V <sub>IK</sub>  | Clamp Diode Voltage  | I <sub>IN</sub> =-18mA   | 3.0                 |                                 |      | -1.2 | V     |
| V <sub>IH</sub>  | Input Voltage High   |  | 3.0 to 3.6          | 1.3                             |      |      | V     |
|                  |  |  | 4.3                 | 1.7                             |      |      | V     |
| V <sub>IL</sub>  | Input Voltage Low  |  | 3.0 to 3.6          |                                 |      | 0.5  | V     |
|                  |  |  | 4.3                 |                                 |      | 0.7  | V     |
| I <sub>IN</sub>  | Control Input Leakage  | V <sub>SW</sub> =0 to V <sub>CC</sub>                          | 4.3                 | -1                              |      | 1    | μA    |
| I <sub>OZ</sub>  | Off State Leakage  | 0 ≤ Dn, HSD1n,<br>HSD2n ≤ 3.6V                                 | 4.3                 | -2                              |      | 2    | μA    |
| I <sub>OFF</sub> | Power-Off Leakage Current<br>(All I/O Ports)                                   | V <sub>SW</sub> =0V to 4.3V, V <sub>CC</sub> =0V<br>Figure 5   | 0                   | -2                              |      | 2    | μA    |
| R <sub>ON</sub>  | HS Switch On Resistance <sup>(3)</sup>   | V <sub>SW</sub> =0.4V, I <sub>ON</sub> =-8mA<br>Figure 4       | 3.0                 |                                 | 3.9  | 6.5  | Ω     |
| ΔR <sub>ON</sub> | HS Delta Ron <sup>(4)</sup>  | V <sub>SW</sub> =0.4V, I <sub>ON</sub> =-8mA                   | 3.0                 |                                 | 0.65 |      | Ω     |
| I <sub>CC</sub>  | Quiescent Supply Current   | V <sub>CNTRL</sub> =0 or V <sub>CC</sub> , I <sub>OUT</sub> =0 | 4.3                 |                                 |      | 1.0  | μA    |
| I <sub>CCT</sub> | Increase in I <sub>CC</sub> Current Per<br>Control Voltage and V <sub>CC</sub> | V <sub>CNTRL</sub> =2.6V V <sub>CC</sub> =4.3V                 | 4.3                 |                                 |      | 10.0 | μA    |
|                  |  | V <sub>CNTRL</sub> =1.8V V <sub>CC</sub> =4.3V                 | 4.3                 |                                 |      | 15.0 | μA    |

### Notes:

- Measured by the voltage drop between HSDn and Dn pins at the indicated current through the switch. On resistance is determined by the lower of the voltage on the two (HSDn or Dn ports).
- Guaranteed by characterization.

## AC Electrical Characteristics

All typical value are for  $V_{CC}=3.3V$  at  $25^{\circ}C$  unless otherwise specified.

| Symbol    | Parameter                         | Conditions  | $V_{CC}$ (V) | $T_A=-40^{\circ}C$ to $+85^{\circ}C$ |      |      | Units |
|-----------|-----------------------------------|---|--------------|--------------------------------------|------|------|-------|
|           |                                   |   |              | Min.                                 | Typ. | Max. |       |
| $t_{ON}$  | Turn-On Time<br>S, /OE to Output  | $R_L=50\Omega$ , $C_L=5pF$<br>$V_{SW}=0.8V$<br>Figure 6, Figure 7 | 3.0 to 3.6   |                                      | 13   | 30   | ns    |
| $t_{OFF}$ | Turn-Off Time<br>S, /OE to Output | $R_L=50\Omega$ , $C_L=5pF$<br>$V_{SW}=0.8V$<br>Figure 6, Figure 7 | 3.0 to 3.6   |                                      | 12   | 25   | ns    |
| $t_{PD}$  | Propagation Delay <sup>(5)</sup>  | $C_L=5 pF$ , $R_L=50\Omega$<br>Figure 6, Figure 8                 | 3.3          |                                      | 0.25 |      | ns    |
| $t_{BBM}$ | Break-Before-Make                 | $R_L=50\Omega$ , $C_L=5pF$<br>$V_{SW1}=V_{SW2}=0.8V$<br>Figure 12 | 3.0 to 3.6   | 2.0                                  |      | 6.5  | ns    |
| $O_{IRR}$ | Off Isolation                     | $R_L=50\Omega$ , $f=240MHz$<br>Figure 14                          | 3.0 to 3.6   |                                      | -30  |      | dB    |
| Xtalk     | Non-Adjacent Channel Crosstalk    | $R_L=50\Omega$ , $f=240MHz$<br>Figure 15                          | 3.0 to 3.6   |                                      | -45  |      | dB    |
| BW        | -3db Bandwidth                    | $R_L=50\Omega$ , $C_L=0pF$<br>Figure 13                           | 3.0 to 3.6   |                                      | 720  |      | MHz   |
|           |                                   | $R_L=50\Omega$ , $C_L=5pF$<br>Figure 13                           |              |                                      | 550  |      | MHz   |

**Note:**

5. Guaranteed by characterization.

## USB Hi-Speed-Related AC Electrical Characteristics

| Symbol      | Parameter  | Conditions  | $V_{CC}$ (V) | $T_A=-40^{\circ}C$ to $+85^{\circ}C$ |      |      | Units |
|-------------|--|---|--------------|--------------------------------------|------|------|-------|
|             |  |   |              | Min.                                 | Typ. | Max. |       |
| $t_{SK(P)}$ | Skew of Opposite Transitions of the Same Output <sup>(6)</sup> | $C_L=5pF$ , $R_L=50\Omega$<br>Figure 9  | 3.0 to 3.6   |                                      | 20   |      | ps    |
| $t_j$       | Total Jitter <sup>(6)</sup>                                    | $R_L=50\Omega$ , $C_L=5pf$ ,<br>$t_R=t_F=500ps$ (10-90%) at<br>480Mbps<br>(PRBS= $2^{15} - 1$ ) | 3.0 to 3.6   |                                      | 200  |      | ps    |

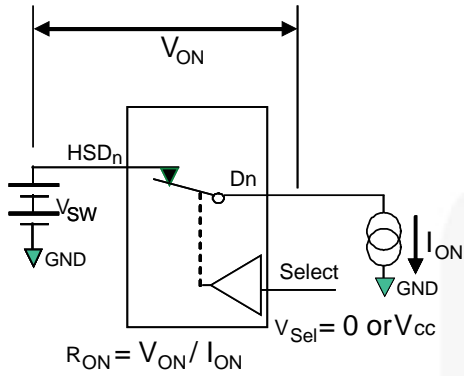
**Note:**

6. Guaranteed by characterization.

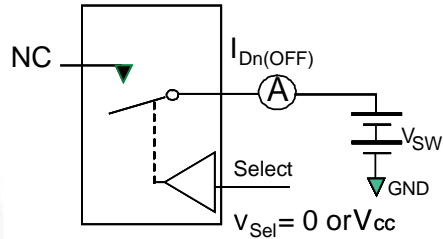
## Capacitance

| Symbol    | Parameter                     | Conditions                                    | $T_A=-40^{\circ}C$ to $+85^{\circ}C$ |      |      | Units |
|-----------|-------------------------------|---|--------------------------------------|------|------|-------|
|           |                               |   | Min.                                 | Typ. | Max. |       |
| $C_{IN}$  | Control Pin Input Capacitance | $V_{CC}=0V$                                   |                                      | 1.5  |      | pF    |
| $C_{ON}$  | D+/D- On Capacitance          | $V_{CC}=3.3V$ , /OE=0V, $f=1MHz$<br>Figure 11 |                                      | 5.9  | 6.5  |       |
| $C_{OFF}$ | D1n, D2n Off Capacitance      | $V_{CC}$ and /OE=3.3V<br>Figure 10            |                                      | 2.0  |      |       |

**Test Diagrams**

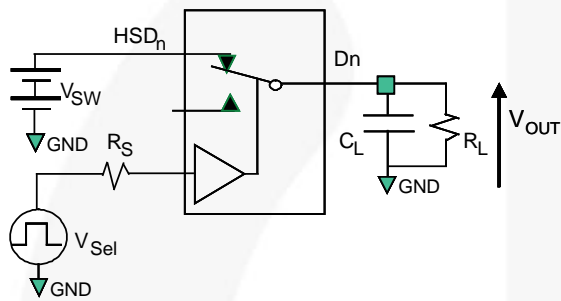


**Figure 4. On Resistance**



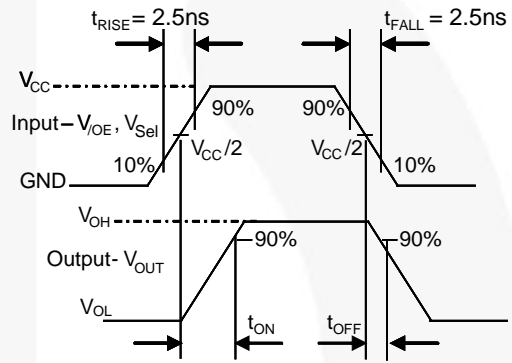
\*\*Each switch port is tested separately

**Figure 5. Off Leakage**

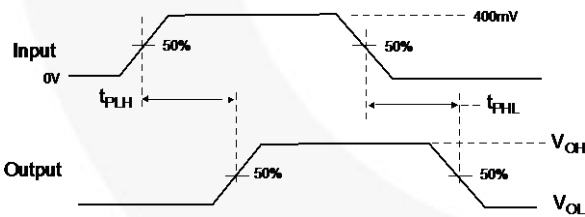


$R_L$ ,  $R_S$ , and  $C_L$  are functions of the application environment (see AC Tables for specific values)  
 $C_L$  includes test fixture and stray capacitance.

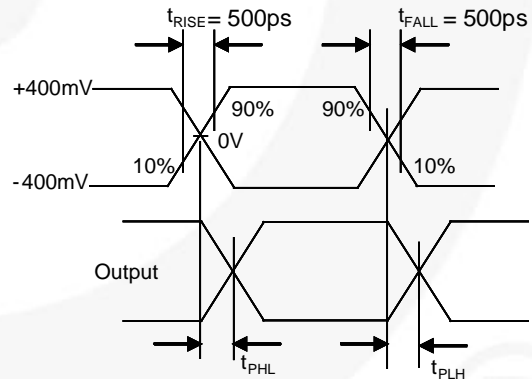
**Figure 6. AC Test Circuit Load**



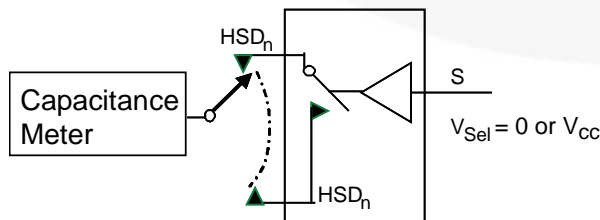
**Figure 7. Turn-On / Turn-Off Waveforms**



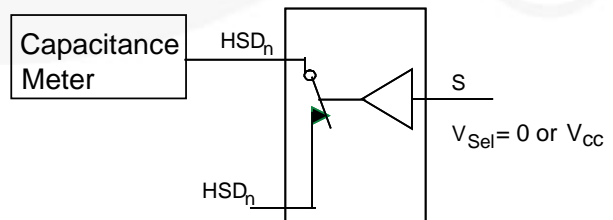
**Figure 8. Propagation Delay ( $t_R t_F = 500ps$ )**



**Figure 9. Intra-Pair Skew Test  $t_{SK(P)}$**

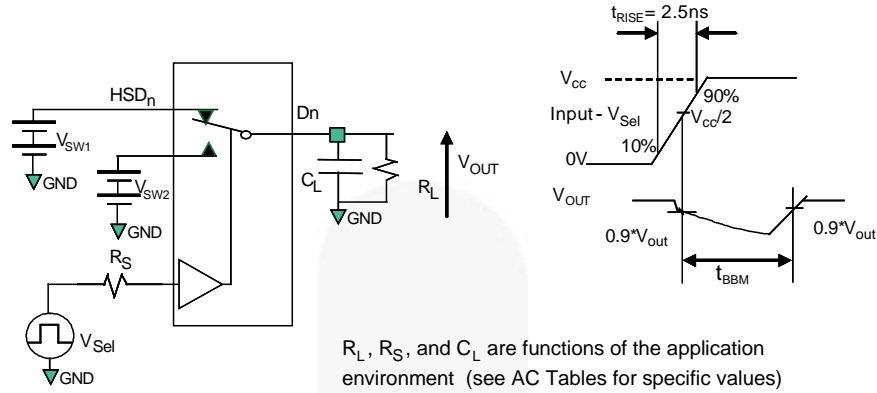


**Figure 10. Channel Off Capacitance**



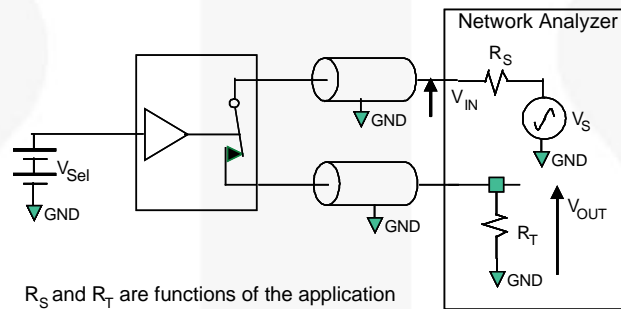
**Figure 11. Channel On Capacitance**

**Test Diagrams (Continued)**



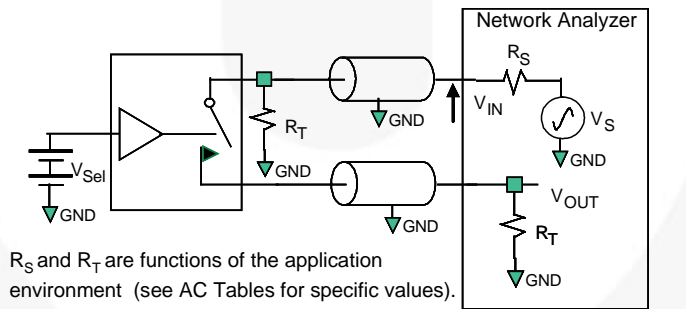
$R_L$ ,  $R_S$ , and  $C_L$  are functions of the application environment (see AC Tables for specific values)  
 $C_L$  includes test fixture and stray capacitance.

**Figure 12. Break-Before-Make Interval Timing**



$R_S$  and  $R_T$  are functions of the application environment (see AC Tables for specific values).

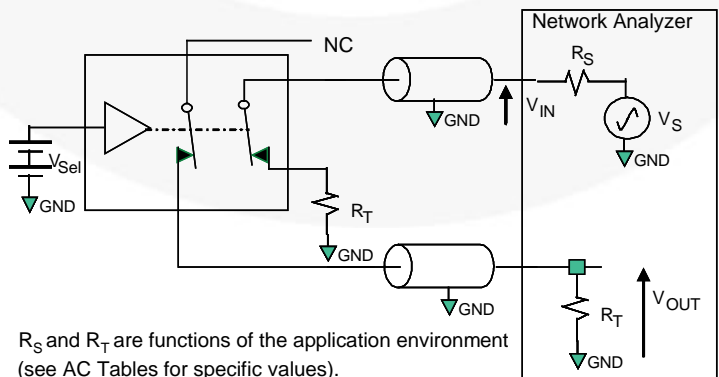
**Figure 13. Bandwidth**



$R_S$  and  $R_T$  are functions of the application environment (see AC Tables for specific values).

$$\text{Off isolation} = 20 \text{ Log } (V_{OUT} / V_{IN})$$

**Figure 14. Channel Off Isolation**



$R_S$  and  $R_T$  are functions of the application environment (see AC Tables for specific values).

$$\text{Crosstalk} = 20 \text{ Log } (V_{OUT} / V_{IN})$$

**Figure 15. Non-Adjacent Channel-to-Channel Crosstalk**



## Physical Dimensions

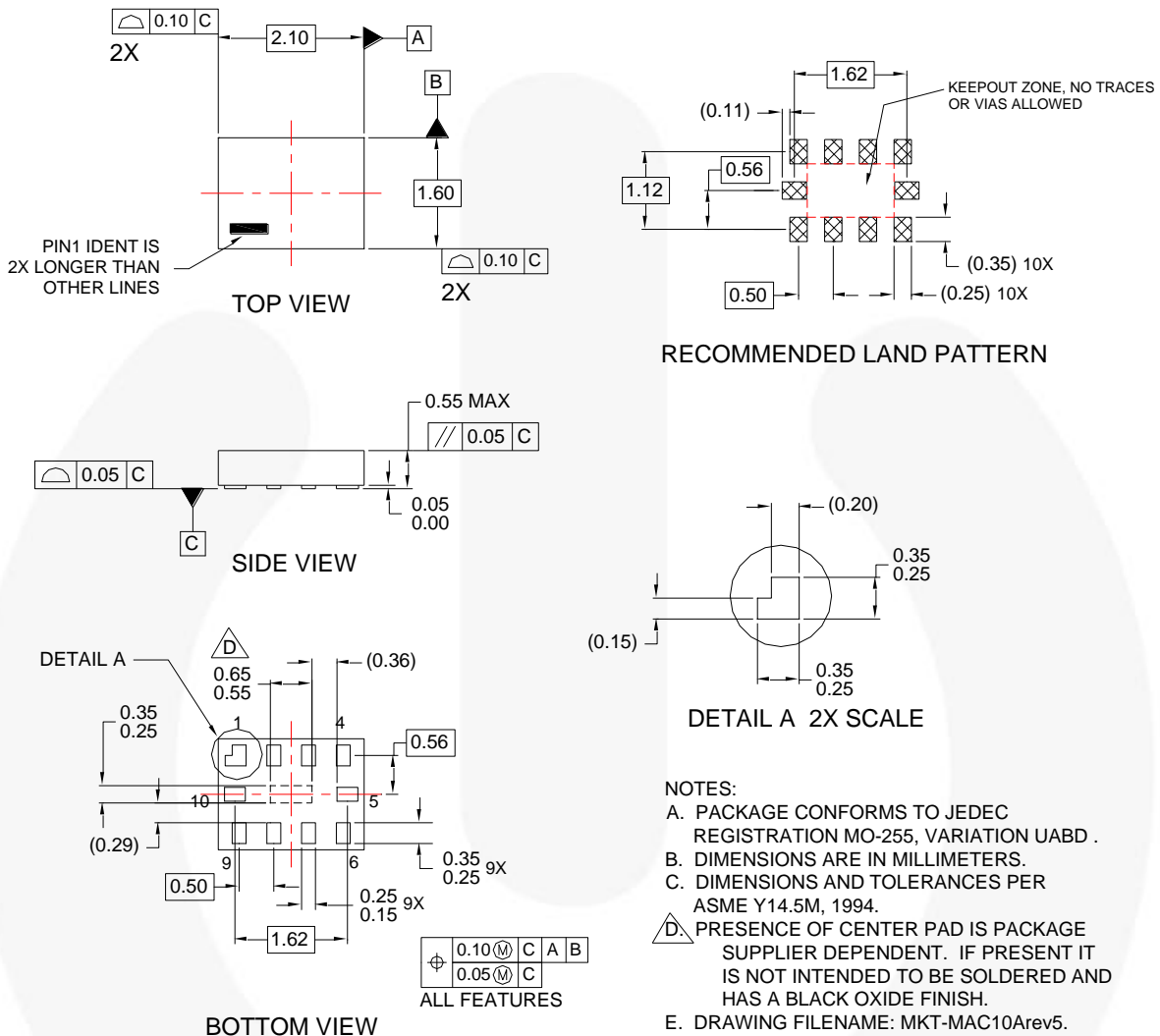
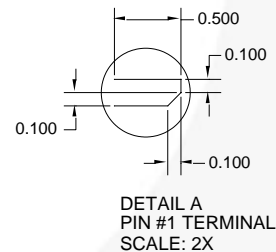
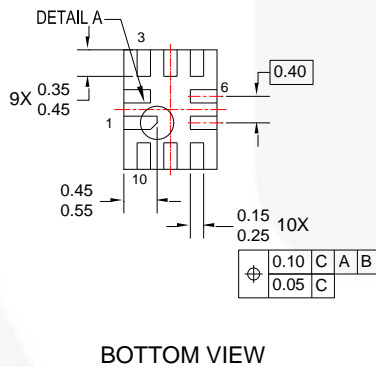
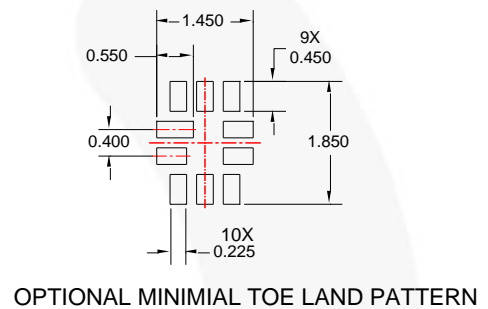
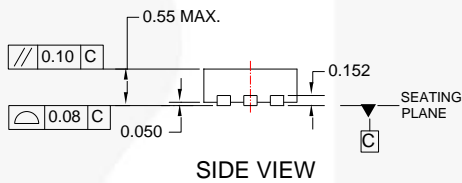
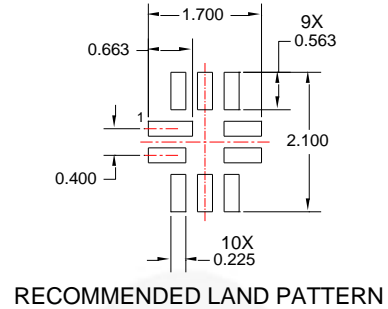
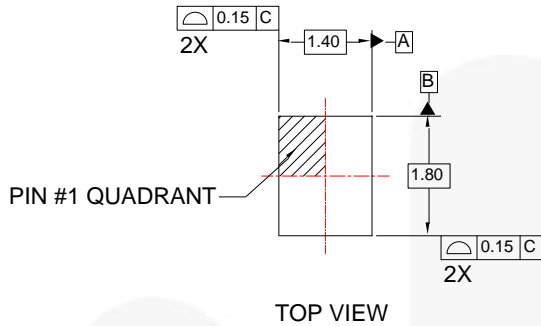


Figure 16. 10-Lead MicroPak™

Package drawings are provided as a service to customers considering Fairchild components. Drawings may change in any manner without notice. Please note the revision and/or date on the drawing and contact a Fairchild Semiconductor representative to verify or obtain the most recent revision. Package specifications do not expand the terms of Fairchild's worldwide terms and conditions, specifically the warranty therein, which covers Fairchild products.

Always visit Fairchild Semiconductor's online packaging area for the most recent package drawings:  
<http://www.fairchildsemi.com/packaging/>.

## Physical Dimensions



### NOTES:

- A. DIMENSIONS ARE IN MILLIMETERS.
- B. DIMENSIONS AND TOLERANCES PER ASME Y14.5M, 1994
- C. DRAWING FILENAME: UMLP10Arev2

Figure 17. 10-Lead, Ultrathin Molded Leadless Package (UMLP)

Package drawings are provided as a service to customers considering Fairchild components. Drawings may change in any manner without notice. Please note the revision and/or date on the drawing and contact a Fairchild Semiconductor representative to verify or obtain the most recent revision. Package specifications do not expand the terms of Fairchild's worldwide terms and conditions, specifically the warranty therein, which covers Fairchild products.

Always visit Fairchild Semiconductor's online packaging area for the most recent package drawings:  
<http://www.fairchildsemi.com/packaging/>



**TRADEMARKS**

The following includes registered and unregistered trademarks and service marks, owned by Fairchild Semiconductor and/or its global subsidiaries, and is not intended to be an exhaustive list of all such trademarks.

- |                          |                          |                                       |   |
|--------------------------|--------------------------|---------------------------------------|---|
| AccuPower™               | FlashWriter®*            | Power-SPM™                            | SYSTEM GENERAL<br>The Power Franchise®<br>the power franchise<br>TinyBoost™<br>TinyBuck™<br>TinyCalc™<br>TinyLogic®<br>TINYOPTO™<br>TinyPower™<br>TinyPWM™<br>TinyWire™<br>TriFault Detect™<br>SPM®<br>TRUECURRENT™*<br>μSerDes™<br>SerDes<br>UHC®<br>Ultra FRFET™<br>UniFET™<br>VCX™<br>VisualMax™<br>XST™ |
| Auto-SPM™                | FPS™                     | PowerTrench®                          |   |
| Build it Now™            | F-PFS™                   | PowerXS™                              |   |
| CorePLUS™                | FRFET®                   | Programmable Active Droop™            |   |
| CorePOWER™               | Global Power Resource SM | QFET®                                 |   |
| CROSSVOLT™               | Green FPST™              | QST™                                  |   |
| CTL™                     | Green FPST™ e-Series™    | Quiet Series™                         |   |
| Current Transfer Logic™  | Gmax™                    | RapidConfigure™                       |   |
| DEUXPEED®                | GTO™                     | ™                                     |   |
| EcoSPARK®                | IntelliMAX™              | Saving our world, 1mV/W/kW at a time™ |   |
| EfficientMax™            | ISOPLANAR™               | SignalWise™                           |   |
| EZSWITCH™**              | MegaBuck™                | SmartMax™                             |   |
| ™**                      | MICROCOUPLER™            | SMART START™                          |   |
| ™                        | MicroFET™                | SPM®                                  |   |
| Fairchild®               | MicroPak™                | STEALTH™                              |   |
| Fairchild Semiconductor® | MillerDrive™             | SuperFET™                             |   |
| FACT Quiet Series™       | MotionMax™               | SuperSOT™-3                           |   |
| FACT®                    | Motion-SPM™              | SuperSOT™-6                           |   |
| FAST®                    | OPTOLOGIC®               | SuperSOT™-8                           |   |
| FastvCore™               | OPTOPLANAR®              | SupreMOS™                             |   |
| FETBench™                | ™                        | SyncFET™                              |   |
|                          | PDP SPM™                 | Sync-Lock™                            |   |

\* Trademarks of System General Corporation, used under license by Fairchild Semiconductor.

**DISCLAIMER**

FAIRCHILD SEMICONDUCTOR RESERVES THE RIGHT TO MAKE CHANGES WITHOUT FURTHER NOTICE TO ANY PRODUCTS HEREIN TO IMPROVE RELIABILITY, FUNCTION, OR DESIGN. FAIRCHILD DOES NOT ASSUME ANY LIABILITY ARISING OUT OF THE APPLICATION OR USE OF ANY PRODUCT OR CIRCUIT DESCRIBED HEREIN; NEITHER DOES IT CONVEY ANY LICENSE UNDER ITS PATENT RIGHTS, NOR THE RIGHTS OF OTHERS. THESE SPECIFICATIONS DO NOT EXPAND THE TERMS OF FAIRCHILD'S WORLDWIDE TERMS AND CONDITIONS, SPECIFICALLY THE WARRANTY THEREIN, WHICH COVERS THESE PRODUCTS.

**LIFE SUPPORT POLICY**

FAIRCHILD'S PRODUCTS ARE NOT AUTHORIZED FOR USE AS CRITICAL COMPONENTS IN LIFE SUPPORT DEVICES OR SYSTEMS WITHOUT THE EXPRESS WRITTEN APPROVAL OF FAIRCHILD SEMICONDUCTOR CORPORATION.

As used herein:

1. Life support devices or systems are devices or systems which, (a) are intended for surgical implant into the body or (b) support or sustain life, and (c) whose failure to perform when properly used in accordance with instructions for use provided in the labeling, can be reasonably expected to result in a significant injury of the user.
2. A critical component in any component of a life support, device, or system whose failure to perform can be reasonably expected to cause the failure of the life support device or system, or to affect its safety or effectiveness.

**ANTI-COUNTERFEITING POLICY**

Fairchild Semiconductor Corporation's Anti-Counterfeiting Policy. Fairchild's Anti-Counterfeiting Policy is also stated on our external website, [www.fairchildsemi.com](http://www.fairchildsemi.com), under Sales Support.

Counterfeiting of semiconductor parts is a growing problem in the industry. All manufacturers of semiconductor products are experiencing counterfeiting of their parts. Customers who inadvertently purchase counterfeit parts experience many problems such as loss of brand reputation, substandard performance, failed applications, and increased cost of production and manufacturing delays. Fairchild is taking strong measures to protect ourselves and our customers from the proliferation of counterfeit parts. Fairchild strongly encourages customers to purchase Fairchild parts either directly from Fairchild or from Authorized Fairchild Distributors who are listed by country on our web page cited above. Products customers buy either from Fairchild directly or from Authorized Fairchild Distributors are genuine parts, have full traceability, meet Fairchild's quality standards for handling and storage and provide access to Fairchild's full range of up-to-date technical and product information. Fairchild and our Authorized Distributors will stand behind all warranties and will appropriately address any warranty issues that may arise. Fairchild will not provide any warranty coverage or other assistance for parts bought from Unauthorized Sources. Fairchild is committed to combat this global problem and encourage our customers to do their part in stopping this practice by buying direct or from authorized distributors.

**PRODUCT STATUS DEFINITIONS**

**Definition of Terms**

| Datasheet Identification | Product Status        | Definition  |
|--------------------------|-----------------------|---|
| Advance Information      | Formative / In Design | Datasheet contains the design specifications for product development. Specifications may change in any manner without notice.   |
| Preliminary              | First Production      | Datasheet contains preliminary data; supplementary data will be published at a later date. Fairchild Semiconductor reserves the right to make changes at any time without notice to improve design. |
| No Identification Needed | Full Production       | Datasheet contains final specifications. Fairchild Semiconductor reserves the right to make changes at any time without notice to improve the design.   |
| Obsolete                 | Not In Production     | Datasheet contains specifications on a product that is discontinued by Fairchild Semiconductor. The datasheet is for reference information only.  |

Rev. I44

ON Semiconductor and  are trademarks of Semiconductor Components Industries, LLC dba ON Semiconductor or its subsidiaries in the United States and/or other countries. ON Semiconductor owns the rights to a number of patents, trademarks, copyrights, trade secrets, and other intellectual property. A listing of ON Semiconductor's product/patent coverage may be accessed at [www.onsemi.com/site/pdf/Patent-Marking.pdf](http://www.onsemi.com/site/pdf/Patent-Marking.pdf). ON Semiconductor reserves the right to make changes without further notice to any products herein. ON Semiconductor makes no warranty, representation or guarantee regarding the suitability of its products for any particular purpose, nor does ON Semiconductor assume any liability arising out of the application or use of any product or circuit, and specifically disclaims any and all liability, including without limitation special, consequential or incidental damages. Buyer is responsible for its products and applications using ON Semiconductor products, including compliance with all laws, regulations and safety requirements or standards, regardless of any support or applications information provided by ON Semiconductor. "Typical" parameters which may be provided in ON Semiconductor data sheets and/or specifications can and do vary in different applications and actual performance may vary over time. All operating parameters, including "Typicals" must be validated for each customer application by customer's technical experts. ON Semiconductor does not convey any license under its patent rights nor the rights of others. ON Semiconductor products are not designed, intended, or authorized for use as a critical component in life support systems or any FDA Class 3 medical devices or medical devices with a same or similar classification in a foreign jurisdiction or any devices intended for implantation in the human body. Should Buyer purchase or use ON Semiconductor products for any such unintended or unauthorized application, Buyer shall indemnify and hold ON Semiconductor and its officers, employees, subsidiaries, affiliates, and distributors harmless against all claims, costs, damages, and expenses, and reasonable attorney fees arising out of, directly or indirectly, any claim of personal injury or death associated with such unintended or unauthorized use, even if such claim alleges that ON Semiconductor was negligent regarding the design or manufacture of the part. ON Semiconductor is an Equal Opportunity/Affirmative Action Employer. This literature is subject to all applicable copyright laws and is not for resale in any manner.

## PUBLICATION ORDERING INFORMATION

### LITERATURE FULFILLMENT:

Literature Distribution Center for ON Semiconductor  
19521 E. 32nd Pkwy, Aurora, Colorado 80011 USA  
**Phone:** 303-675-2175 or 800-344-3860 Toll Free USA/Canada  
**Fax:** 303-675-2176 or 800-344-3867 Toll Free USA/Canada  
**Email:** [orderlit@onsemi.com](mailto:orderlit@onsemi.com)

**N. American Technical Support:** 800-282-9855 Toll Free  
USA/Canada  
**Europe, Middle East and Africa Technical Support:**  
Phone: 421 33 790 2910  
**Japan Customer Focus Center**  
Phone: 81-3-5817-1050

**ON Semiconductor Website:** [www.onsemi.com](http://www.onsemi.com)  
**Order Literature:** <http://www.onsemi.com/orderlit>  
For additional information, please contact your local  
Sales Representative