

FUSB308B

USB Type-C Port Controller with USB-PD

Description

The FUSB308B targets system designers looking to implement up to four USB Type-C port controllers (TCPC) with USB-PD capabilities.

This solution provides integrated Type-C Rev 1.3 detection circuitry enabling manual attach/detach detection. Time critical Power Delivery functionality is handled autonomously, offloading the μ Processor or Type-C Port Manager (TCPM).

The FUSB308B complies with the USB-PD Interface Specification Rev 1.0 as a TCPC for a standardized interface with TCPM.

Features

- USB-PD Interface Specification Rev 1.0 Ver. 1.2 Compatible
- USB Type-C Rev 1.3 Compatible
- USB-PD Rev3.0 Ver. 1.2 Compatible
- Sink Transmit
- Extended Data Messages (Chunked)
- Dual-Role Functionality
 - ◆ Manual Type-C Detection
 - ◆ Automatic DRP Toggling
- USB-PD Interface Specification Support
 - ◆ Automatic GoodCRC Packet Response
 - ◆ Automatic Retries of Sending Packet
 - ◆ All SOP* Types Supported
- 2 VBUS Sources Control
- Integrated 3 W Capable VCONN to CCx Switch
- 10-bit VBUS ADC
- Programmable GPIOs
- 4 Selectable I²C Addresses
- Packaging: 16 Pin QFN

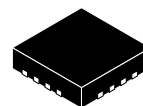
Applications

- Desktops
- Wall Adapters
- Automotive



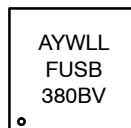
ON Semiconductor®

www.onsemi.com



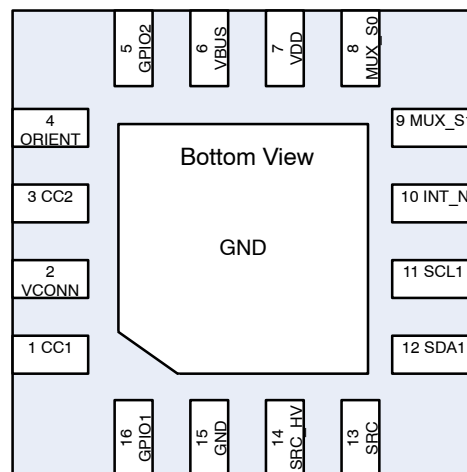
WQFN16 3 x 3, 0.5P
CASE 510BS

MARKING DIAGRAM



A = Assembly Location
Y = Year
W = Work Week
LL = Assembly Lot Code

PIN ASSIGNMENT



QFN16

ORDERING INFORMATION

See detailed ordering and shipping information on page 3 of this data sheet.

FUSB308B

Table of Contents

Description	1
Features	1
Applications	1
Typical Application	3
Block Diagram	4
Pin Configurations	4
Pin Descriptions	5
Power Up, Initialization and Reset	5
Dead Battery Power-up	5
Programmable GPIOx	5
Standard Outputs	6
I ² C Interface	6
I ² C Address Selection	6
Interrupt Operation	6
I ² C Idle Mode	7
VCONN Control	6
Type-C Manual Mode Detection	7
BMC Power Delivery	7
Transmit State Machine	8
Hard Reset/ Cable Reset State Machine	10
Automatic GoodCRC Response	10
BIST Mode	10
VBUS Source and Sink Control	10
Voltage Transitions	11
VBUS Monitoring and Measurement	15
VBUS Discharge	15
Automatic Source Discharge after a Disconnect	15
Automatic Sink Discharge after a Disconnect	15
Watchdog Timer	16
USB-PD Rev 3.0 Features	17
DC and Transient Characteristics	18

FUSB308B

Table 1. ORDERING INFORMATION

Part Number	Top Marking	Operating Temperature Range	Package	Packing Method†
FUSB308BVMPX	FUSB 308BV	Automotive -40 to 105°C	16-Lead Molded Leadless Package (QFN) JEDEC, ML220, 3 mm Square	Tape and Reel

†For information on tape and reel specifications, including part orientation and tape sizes, please refer to our Tape and Reel Packaging Specification Brochure, BRD8011/D.

Typical Application

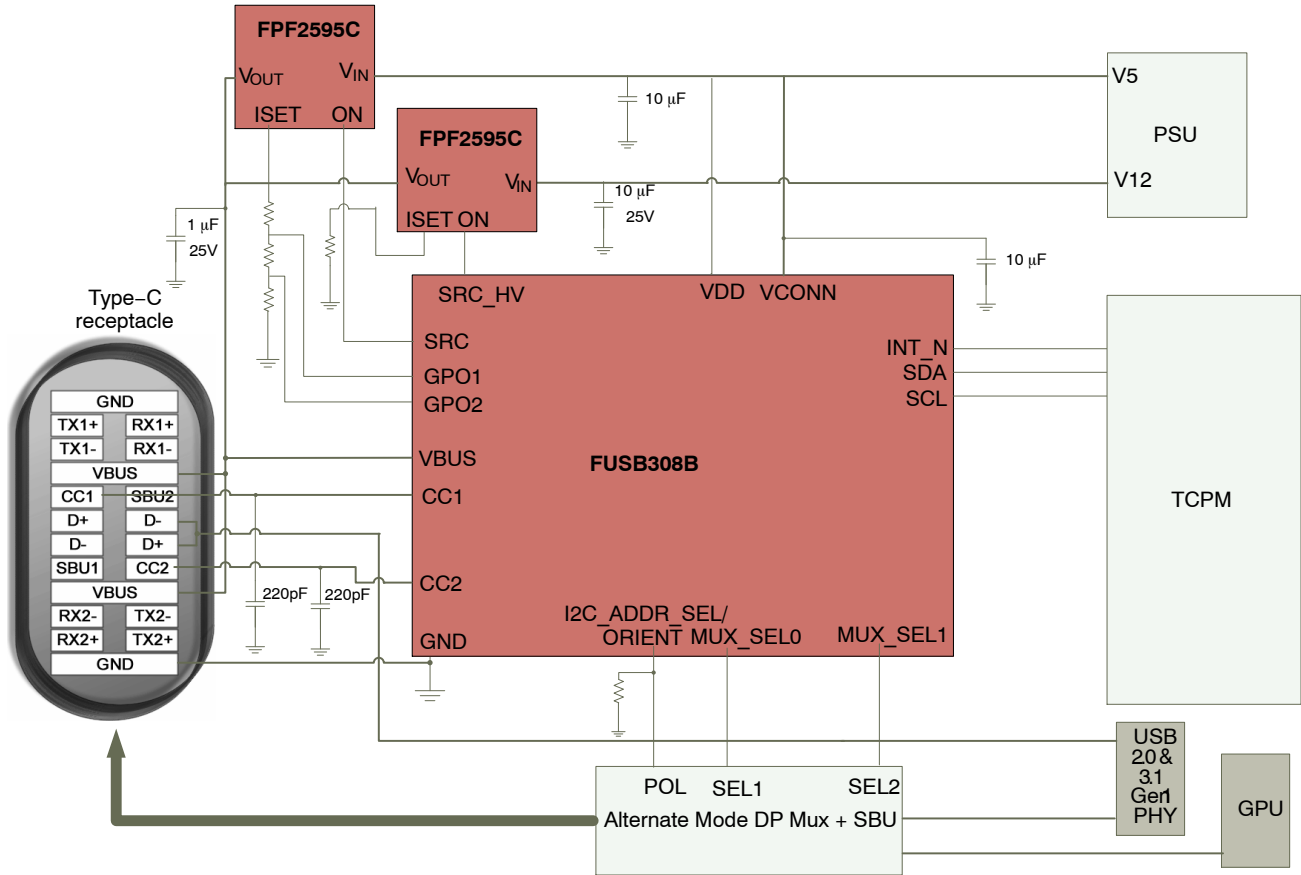


Figure 1. FUSB308B Typical Typical Desktop Computing Application

FUSB308B

Block Diagram

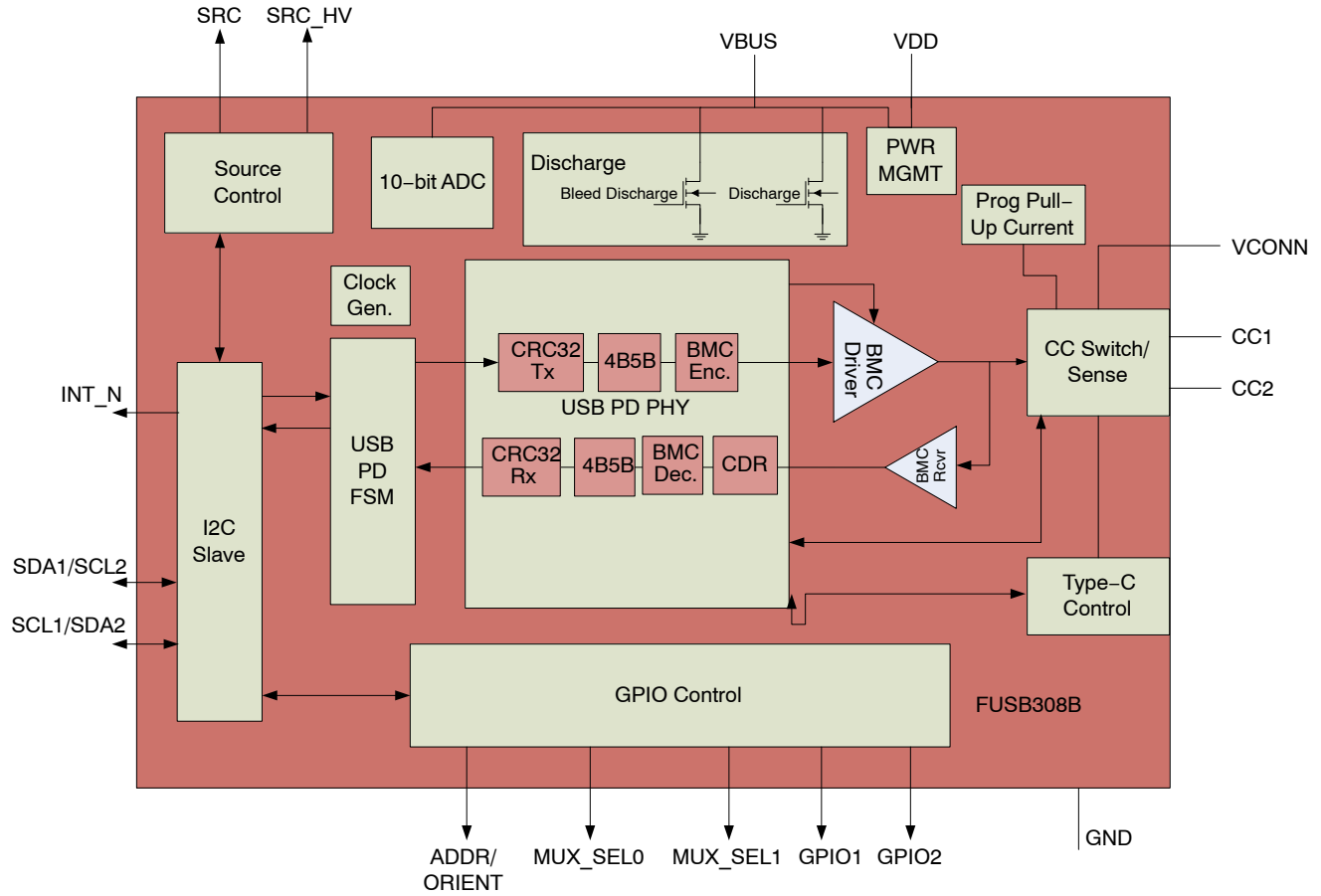


Figure 2. FUSB308B Block Diagram

Pin Configurations

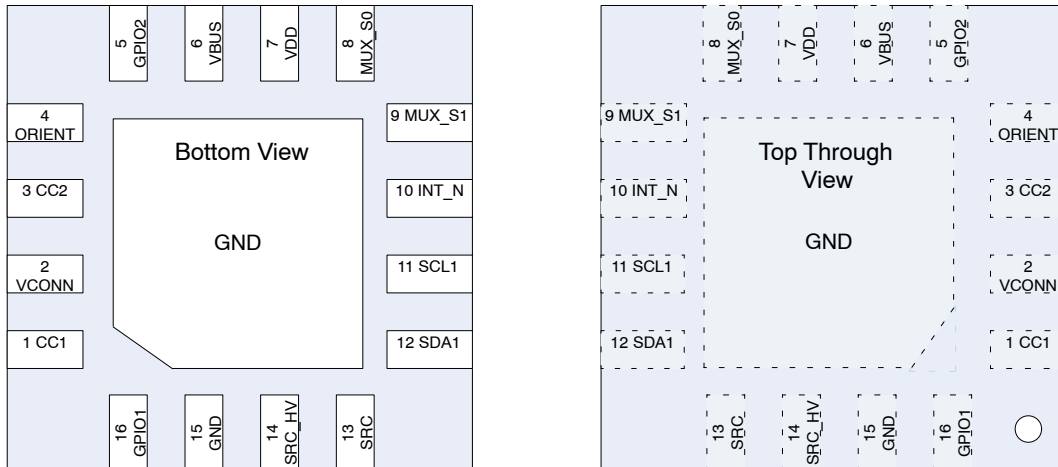


Figure 3. Pin Assignment QFN (FUSB308B)

FUSB308B

Pin Descriptions

Table 2. PIN DESCRIPTION

Name	Type	Description
USB TYPE-C CONNECTOR INTERFACE		
CC1	I/O	Type-C connector Configuration Channel (CC) pins. Initially used to determine when an attach has occurred and what the orientation of the insertion is. Functionality after attach depends on mode of operation detected. Operating as a host: – Sets the allowable charging current for VBUS to be sensed by the attached device
CC2	I/O	– Used to communicate with devices using USB BMC Power Delivery – Used to detect when a detach has occurred Operating as a device: – Indicates what the allowable sink current is from the attached host – Used to communicate with devices using USB BMC Power Delivery
GND	Ground	Ground
VBUS	Power	VBUS supply pin for attach and detach detection when operating as an upstream facing port (Device)
POWER INTERFACE		
VDD	Power	Input supply voltage
GPIO2	3-State CMOS I/O	General Purpose I/O
VCONN	Power Switch	Regulated input to be switched to correct CC pin as VCONN to power USB3.1 fully featured cables, powered accessories or dongles bridging Type C to other video or audio connectors
SIGNAL INTERFACE		
SCL1/SDA2 (Note 1)	Open-Drain I/O	I ² C serial clock/data signal to be connected to the I ² C master
SDA1/SCL2 (Note 1)	Open-Drain I/O	I ² C serial clock/data signal to be connected to the I ² C master
INT_N	Open-Drain Output	Active LOW open drain interrupt output used to prompt the processor to read the I ² C register bits
ORIENT/I2C_ADDR (Note 1)	3-State CMOS Output	Selects I ² C Address on Power up and then becomes a General Purpose CMOS Output
MUX_SEL0	3-State CMOS Output	MUX Selection Output 0
MUX_SEL1	3-State CMOS I/O	MUX Selection Output 1
GPIO1	3-State CMOS I/O	General Purpose I/O
VBUS SOURCE INTERFACE		
SRC_HV	CMOS Output	Controls High Voltage Source Path Load Switch (Active High)
SRC	CMOS Output	Controls external VBUS Source Load Switch on/off. (Active High)

1. A different I2C address is used depending on which SDA and SCL are used and the state of ORIENT/I2C_ADDR at power up.

Power Up, Initialization and Reset

When power is first applied to VDD or VBUS, the FUSB308B goes through its POR sequence to load up all the default values in the register map, read all the fuses so that the trimmed values are available when VDD or VBUS is in its valid range. A software reset can be executed by writing SW_RES to 1 in RESET Register.

This executes a full reset of the FUSB308B similar to POR where all the I2C registers go to their default state.

When powered down, the FUSB308B will present an Open on both CC lines.

The FUSB308B will present Rp, ROLECTRL= 0x05 when VDD is present

Programmable GPIOx

The FUSB308B has two programmable GPIOs. These can be programmed to be Inputs, CMOS Outputs or Open Drain Outputs. To configure them, the TCPM writes to GPIO1_CFG and GPIO2_CFG. If the GPIO is configured as an input, its logic value can be read in GPIO_STAT and ALERT_VD registers.

FUSB308B

Standard Outputs

The FUSB308B implements the Orientation and DP Mux Selection Standard Outputs as indicated in STD_OUT_CAP register.

To configure the Orientation, and Mux selection, the TPCM writes to STD_OUT_CFG.

I²C Interface

The FUSB308B includes a full I²C slave controller. The I²C slave fully complies with the I²C specification version 6 requirements. This block is designed for fast mode plus signals.

Examples of an I²C write and read sequence are shown in Figure 4 and Figure 5 respectively.

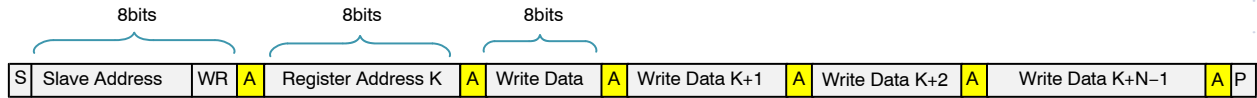
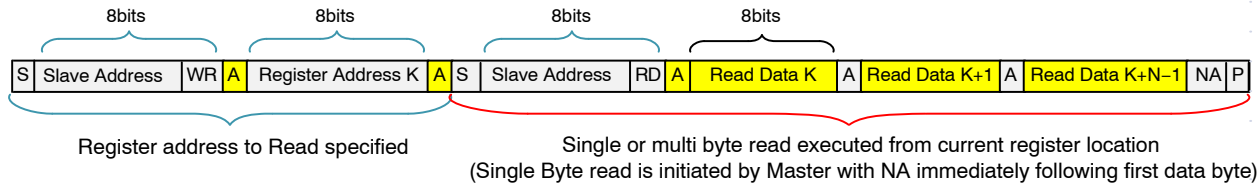


Figure 4. I2C Write Example



NOTE: If Register is not specified Master will begin read from current register. In this case only sequence showing in Red bracket is needed.

From Master to Slave	S Start Condition	NA NOT Acknowledge (SDA High)	RD Read =1
From Slave to Master	A Acknowledge (SDA Low)	WR Write = 0	P Stop Condition

Figure 5. I2C Read Example

I²C Address Selection

I²C Slave addresses can be changed by configuring the I2C_ADDR_GPO input on power up with a pull-up or pull-down resistor and routing the SCL and SDA lines according to Table 3.

Interrupt Operation

The INT_N pin is an active low, open drain output which indicates to the host processor that an interrupt has occurred in the FUSB308B which needs attention. The INT_N pin is asserted after power-up or device reset RESET.SW_RES

set to 1b (due to ALERTLI_PORT_PWR and PWRSTAT.TCPC_INIT).

When an interruptible event occurs, INT_N is driven low and is high-Z again when the processor clears the interrupt by writing a 1 to the corresponding interrupt bit position. Writing a 0 to an interrupt bit has no effect.

A processor firmware has additional control of INT_N through individual event mask bits which can be set or cleared to enable or disable INT_N from being driven low when each event occurs.

Table 3. I²C ADDRESSES

I2C_ADDR	SCLx/SDAx	Slave Address							
		Bit 7	Bit 6	Bit 5	Bit 4	Bit 3	Bit 2	Bit 1	Bit 0
0	SCL1/SDA1	1	0	1	0	0	0	0	R/W
1	SCL1/SDA1	1	0	1	0	0	0	1	R/W
0	SCL2/SDA2	1	0	1	0	0	1	0	R/W
1	SCL2/SDA2	1	0	1	0	0	1	1	R/W

I²C Idle Mode

Entering I²C Idle Mode

The FUSB308B does not need to enter I²C Idle Mode in order to save power. Entering this mode has no effect on I²C function. The FUSB308B can enter idle mode if 0xFF is written to the COMMAND register. Once in Idle mode, the FUSB308B will not set the PWRSTAT.TCPC_INIT to one.

Exiting I²C Idle Mode

The FUSB308B will exit I²C Idle mode when any I²C communication is addressed to the slave. The ALERTL.I_PRT_PWR interrupt will be set and no PWRSTAT bits will be set.

The device's I²C block is always on without power penalties.

VCONN Control

The FUSB308B integrates a CCx to VCONN switch with programmable OCP capability via the VCONN_OCP register. If PWRCTRL.VCONN_PWR is set to 0, the standard VCONN current limit is used (210.5 mA). If PWRCTRL.VCONN_PWR is set to 1, the programmable VCONN_OCP is used.

The VCONN switch can be enabled via the PWRCTRL register bits EN_VCONN and TCPC_CTRL.ORIENT bits (for CC1/2 selection).

A VCONN valid voltage is monitored and reported on PWRSTAT.VCONN_VAL. The valid voltage threshold is fixed at 2.4 V.

Type-C Manual Mode Detection

The CC pull up (Rp) or pull down (Rd) resistors and DRP toggle are setup via the ROLECTRL register. If a TCPM wishes to control Rp/Rd directly, it can write ROLECTRL.DRP = 0b and the desired ROLECTRL bits [3:0] (CC1/CC2).

The FUSB308B can autonomously toggle the Rp/Rd by setting ROLECTRL.DRP = 1b and the starting value of Rp/Rd in ROLECTRL.bits [3:0]. DRP toggling starts by writing to the COMMAND register

If ROLECTRL.DRP = 1b, the only allowed values for CC1/CC2 in ROLECTRL bits [3:0] are Rp/Rp or Rd/Rd.

When ROLECTRL bits 3:0 are set to Open and ROLECTRL.DRP = 0b, the PHY and CC comparators are powered down.

The FUSB308B updates the CCSTAT register on a Connect, Disconnect, a change in ROLECTRL.DRP or a change (tTCPCFilter debounced) on the CC1 or CC2 wire.

The TCPM reads CCSTAT upon detecting an interrupt and seeing the ALERTL.I_CCSTAT = 1. The FUSB308B indicates the DRP status, the DRP result, and the current CC status in this register.

The FUSB308B will set CCSTAT.LOOK4CON = 0b when it has stopped toggling as a DRP.

The TCPM reads the CCSTAT.LOOK4CON to determine if the FUSB308B is toggling Rp/Rd when operating as a DRP, it then reads CCSTAT.CON_RES to determine if the FUSB308B is presenting an Rp or Rd and read the CCSTAT.CC1_STAT and CCSTAT.CC2_STAT to determine the CC1 and CC2 states.

The FUSB308B debounces the CC lines for tTCPCFilter before reporting the status on CCSTAT. The TCPM must complete the debounce as defined in Type-C Specification.

BMC Power Delivery

The Type-C connector allows USB Power Delivery (PD) to be communicated over the connected CC pin between two ports. The communication method is the BMC Power Delivery protocol and is used for many different reasons with the Type-C connector. Possible uses are outlined below.

- Negotiating and controlling charging power levels
- Alternative Interfaces such as MHL, Display Port
- Vendor specific interfaces for use with custom docks or accessories
- Role swap for dual-role ports that want to switch who is the host or device
- Communication with USB3.1 full featured cables

The FUSB308B integrates a thin BMC PD client which includes the BMC physical layer and packet buffers which allows packets to be sent and received by the host software through I²C accesses.

Receive State Machine

The TCPM can setup the desired types of messages to be received by the FUSB308B via the RXDETECT register. This register defaults to 0x00 (Receiver disabled) upon power up, reset, Hard Reset transmission and reception, and upon detecting a cable disconnect. A message is not received unless it is first enabled. Figure 6 shows the FUSB308B receive state machine.

Upon a successfully transmitting GoodCRC, the RXSTAT register is updated with the type of message received and the TCPM is alerted via ALERTL.I_RXSTAT bit (see transition from PRL_Rx_Send_GoodCRC to PRL_Rx_Report_SOP* in Figure 6). The total number of bytes in the receive buffer RXDATA is stored in RXBYTECNT. This number includes the header bytes that are stored in RXHEADL and RXHEADH and the RXSTAT register.

The RXBYTECNT, RXSTAT registers and the internal receive buffer will be cleared after the ALERTL.I_RXSTAT bit is cleared.

The FUSB308B will automatically transmit a GoodCRC message for valid enabled messages within tTransmit.

A received message is valid when:

FUSB308B

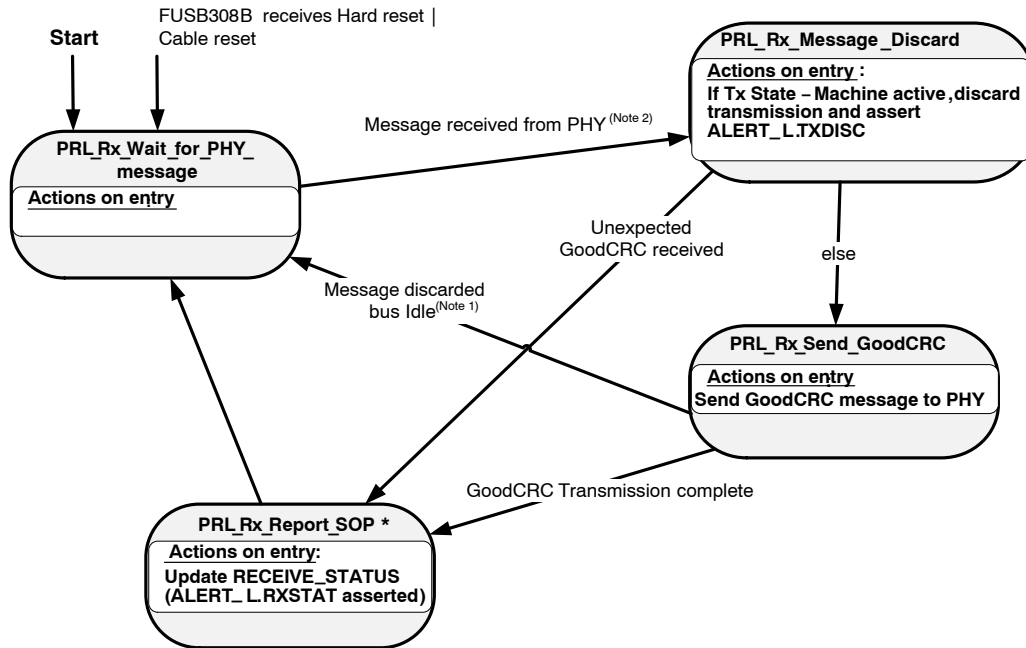
- It is not a GoodCRC message
- The calculated CRC is correct
- The SOP* type is enabled

The makeup of the GoodCRC message is formed by the received SOP* type and the contents of MSGHEADR register.

When an expected GoodCRC message or a Hard Reset signaling is received, they will not be replied with a

GoodCRC message (see Note 2 in Figure 6). If a GoodCRC message received was not expected due to the SOP* type or mismatched Message ID, the receive state machine will not send a GoodCRC message and will transition to PRL_Rx_Report SOP* to inform the TCPM.

If a Hard Reset message is received, the FUSB308B will reset the RXDETECT preventing the reception of future messages until the TCPM re-enables it.



2. This indication is sent by the PHY when a message has been discarded due to CC being busy, and after CC becomes idle again (see USB PD Spec).
3. Messages do not include Hard Reset or Cable Reset signals or expected GoodCRC messages (GoodCRC messages are only expected after the FUSB308B PHY has received the tx message and the FUSB308B Tx state-machine is in the PRL_Tx_Wait_for_PHY_response state).

Figure 6. Receive State Machine

Transmit State Machine

To transmit a message, the TCPM must first write the entire message in the following registers: TXHEADL, TXHEADH, TXBYTECNT and the TXDATA.

The actual transmission starts when the TCPM writes the TRANSMIT register.

The TRANSMIT register is where the message selection is done and it must be written once per transmission.

The TRANSMIT and TXBYTECNT will be reset after executing a successful or failed transmission.

If the TRANSMIT.RETRY_CNT is set to a number greater than 0, the FUSB308B will automatically retry sending the same message if a GoodCRC is not received

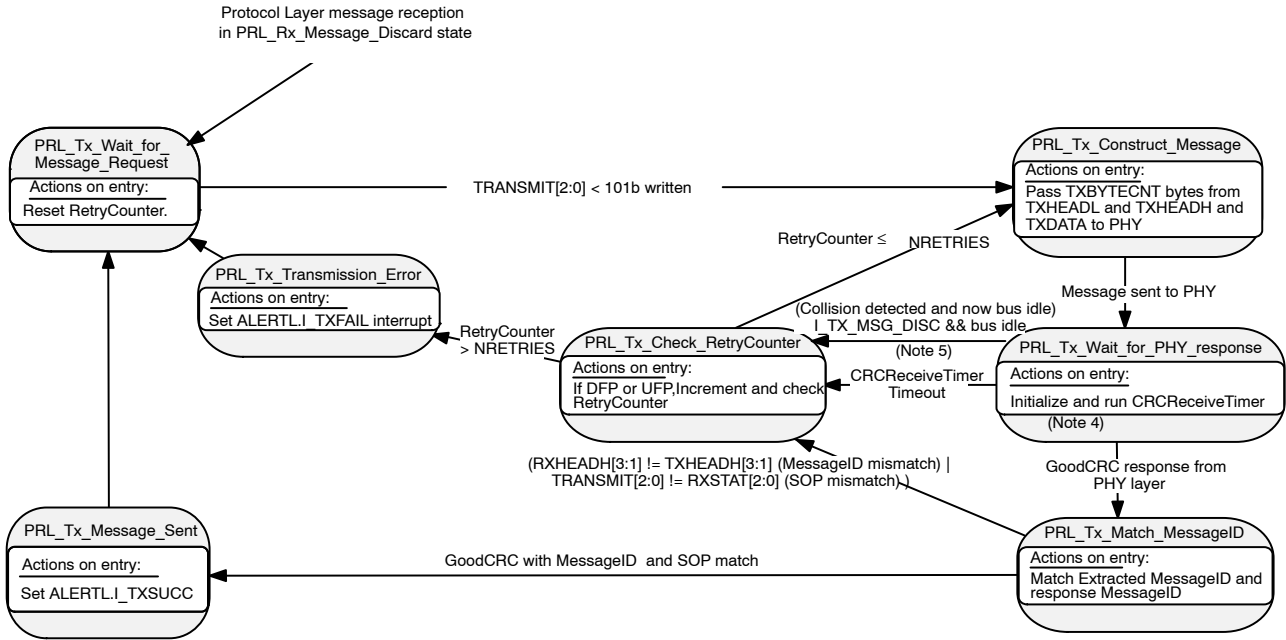
within tCRCReceiveTimer. An automatic retry is not performed when sending Hard-Resets, Cable-Resets, or BIST Carrier Mode 2 signaling.

The TCPM must not write the TRANSMIT register again until ALERTL.I_TXSUCC, I_TXFAIL, I_TX_DISC have been asserted and cleared.

The TCPM will not write the TRANSMIT register to request a transmission other than a Hard reset until it has cleared all received message alerts. If a TRANSMIT is written when ALERTL.I_RXSTAT = 1 or ALERTL.I_RXHRDRST = 1, the transmit request is discarded and ALERTL.I_TX_DISC is asserted.

FUSB308B

ProtocolTransmit



4. The CRCReceiveTimer is only started after the FUSB305 has sent the message. If the message is not sent due to a busy channel then the CRCReceiveTimer will not be started.
5. This Indication is sent by the PHY layer when a message has been discarded due to CC being busy, and after CC becomes idle again. The CRCReceiveTimer is not running in this case since no message has been sent.

Figure 7. Transmit State Machine

FUSB308B

Hard Reset/ Cable Reset State Machine

The TCPM will write the TRANSMIT register to initiate the Hard Reset/Cable Reset state machine, see Figure 8. If the FUSB308B is in the middle of a transmission when instructed to send a Hard or Cable reset, it will set the ALERTL.I_TXDISC bit and send the hard reset signaling as soon as possible. The FUSB308B implements the HardResetCompleteTimer. A Hard Reset or Cable Reset

will be attempted until the HardResetCompleteTimer times out. After a successful transmission or timeout, the FUSB308B will indicate that a Hard Reset or Cable Reset has been sent by asserting both ALERTL.I_TXSUCC and ALERTL.I_TXFAIL registers simultaneously. The bits in RXDETECT and RXBYTECNT will be reset to disable PD message passing after a Hard Reset is received or transmitted.

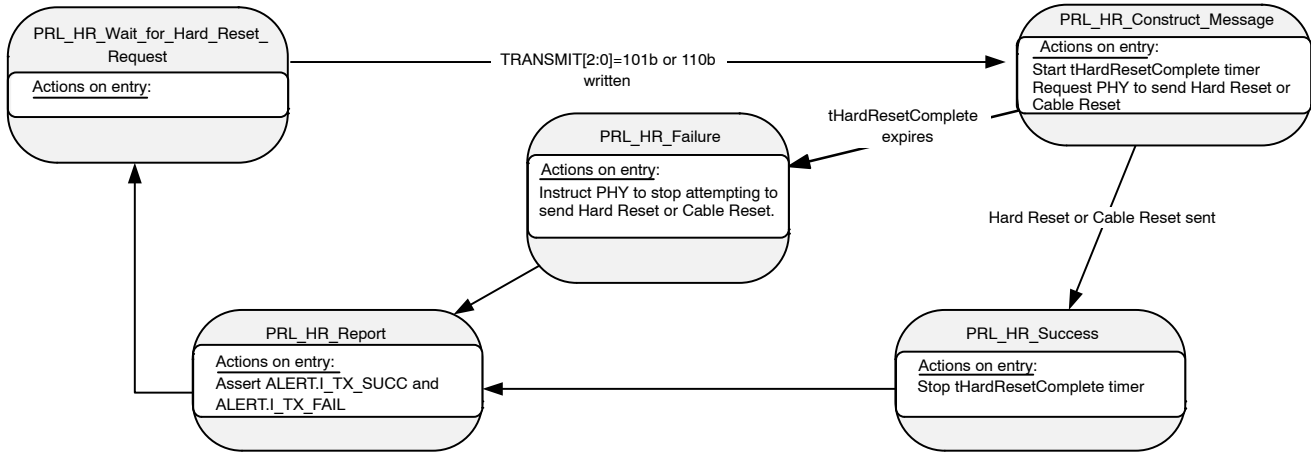


Figure 8. Hard Reset and Cable Reset State Machine

Automatic GoodCRC Response

Power Delivery packets require a GoodCRC acknowledge packet to be sent for each received packet where the calculated CRC is the correct value. This calculation is done by the FUSB308B.

The FUSB308B will automatically send the GoodCRC control packet in response to alleviate the local processor from responding quickly to the received packet. Once the GoodCRC packet is sent the FUSB308B will trigger the ALERTL.I_RXSTAT interrupt.

The following sequence of events occur internally within the FUSB308B without processor intervention when it is determined that the receive message has the correct CRC. If the host processor attempts a packet transmission during an Automatic GoodCRC response, the FUSB308B will set the ALERTL.I_TXDISC bit interrupting the processor. The processor should only transmit a new packet once ALERTL.I_TXSUCC or ALERTL.I_TX_FAIL has been received.

It is assumed that the processor will set the PWRCTRL.ORIENT to specify which channel USB-PD traffic will be transmitted or received.

BIST Mode

Bist Transmit

The FUSB308B will transmit Bist Carrier Mode 2 signaling when directed by the TCPM via TRANSMIT

register. The FUSB308B will exit Bist Mode after tBISTContMode timer expires.

Bist Receive

When the FUSB308B is in Bist receive mode via TCPC_CTRL register, it will acknowledge these packets with a GoodCRC and automatically flush the buffer to allow for thousands of packets to be received without filling the receive buffer. Bist Receive mode will exit on a cable disconnect or a Hard Reset received.

VBUS Source Control

The FUSB308B has two source path controls (SRC and SRC_HV). The secondary Source path control will be used to provide higher voltages on VBUS after a PD contract has been established. The primary source path is used for sourcing vsafe5V only.

The TCPM will initiate the transition from SRC to SRC_HV by writing 1000_1000b to the COMMAND register. The FUSB308B will enable SRC_HV and then disable the SRC I/O.

When transitioning from a high voltage source to vsafe5V, the TCPM will write 0111_0111b to the COMMAND register.

FUSB308B

Voltage Transitions

The FUSB308B has two source control ports: SRC and SRC_HV. There are two ways to transition between SRC and SRC_HV as seen in Figure 9 through Figure 12.

Transition to vSafe5v Path on Power up

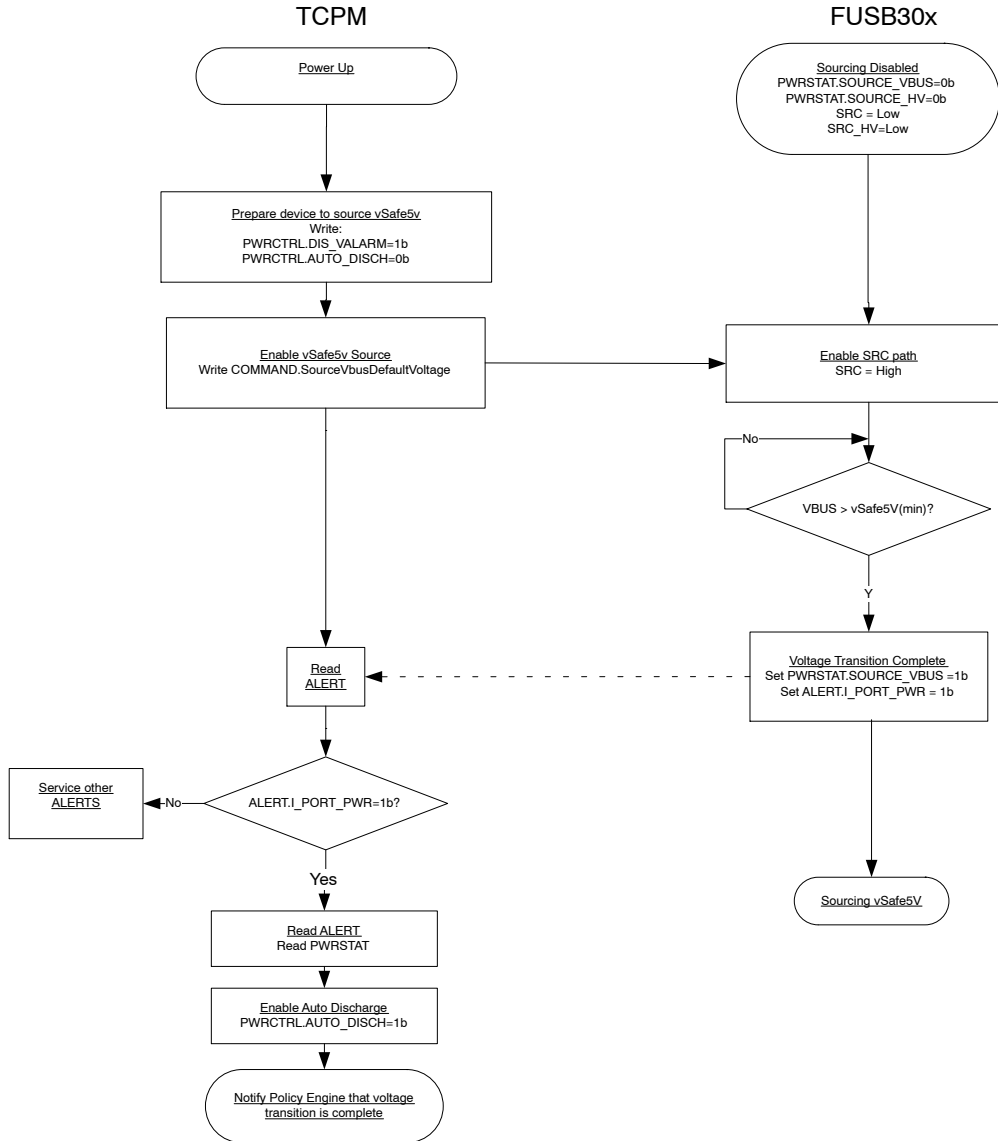


Figure 9. Transition to vSafe5V on Power Up

FUSB308B

Transition to HV using SRC_HV Path

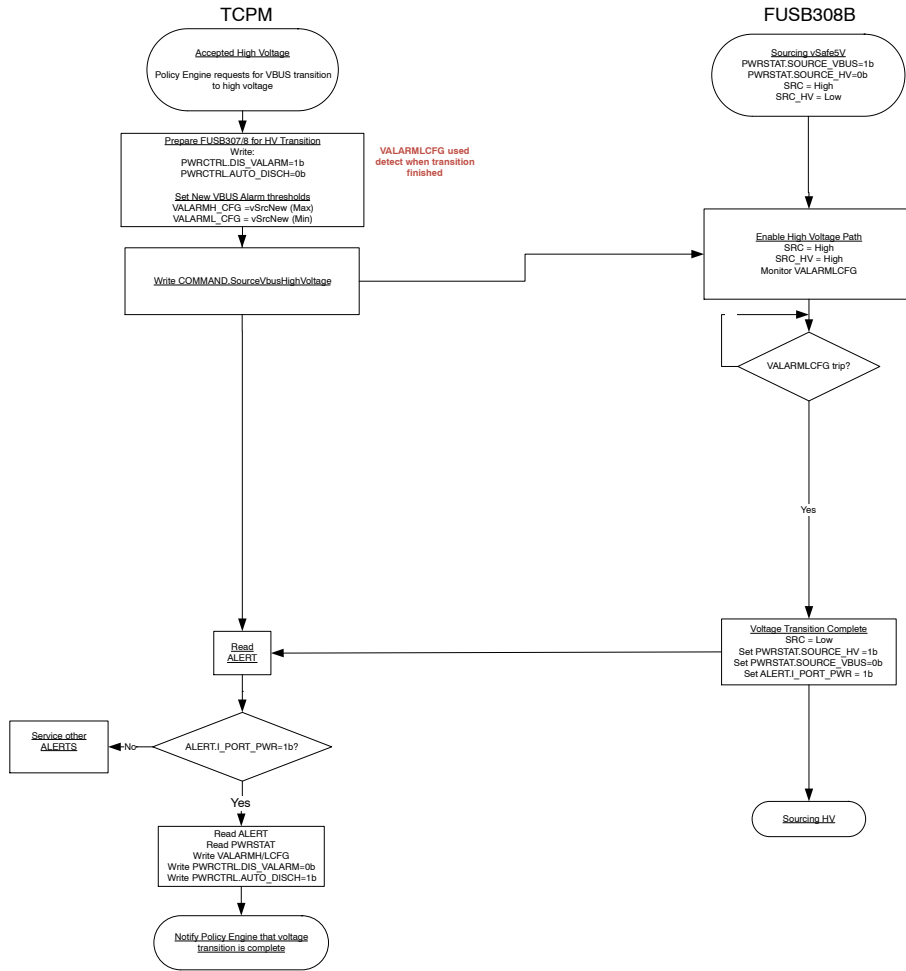


Figure 10. Transition to High Voltage Sourcing using SRC_HV Controlled Path (FUSB308B)

FUSB308B

Transition to vSafe5V using SRC_HV Path

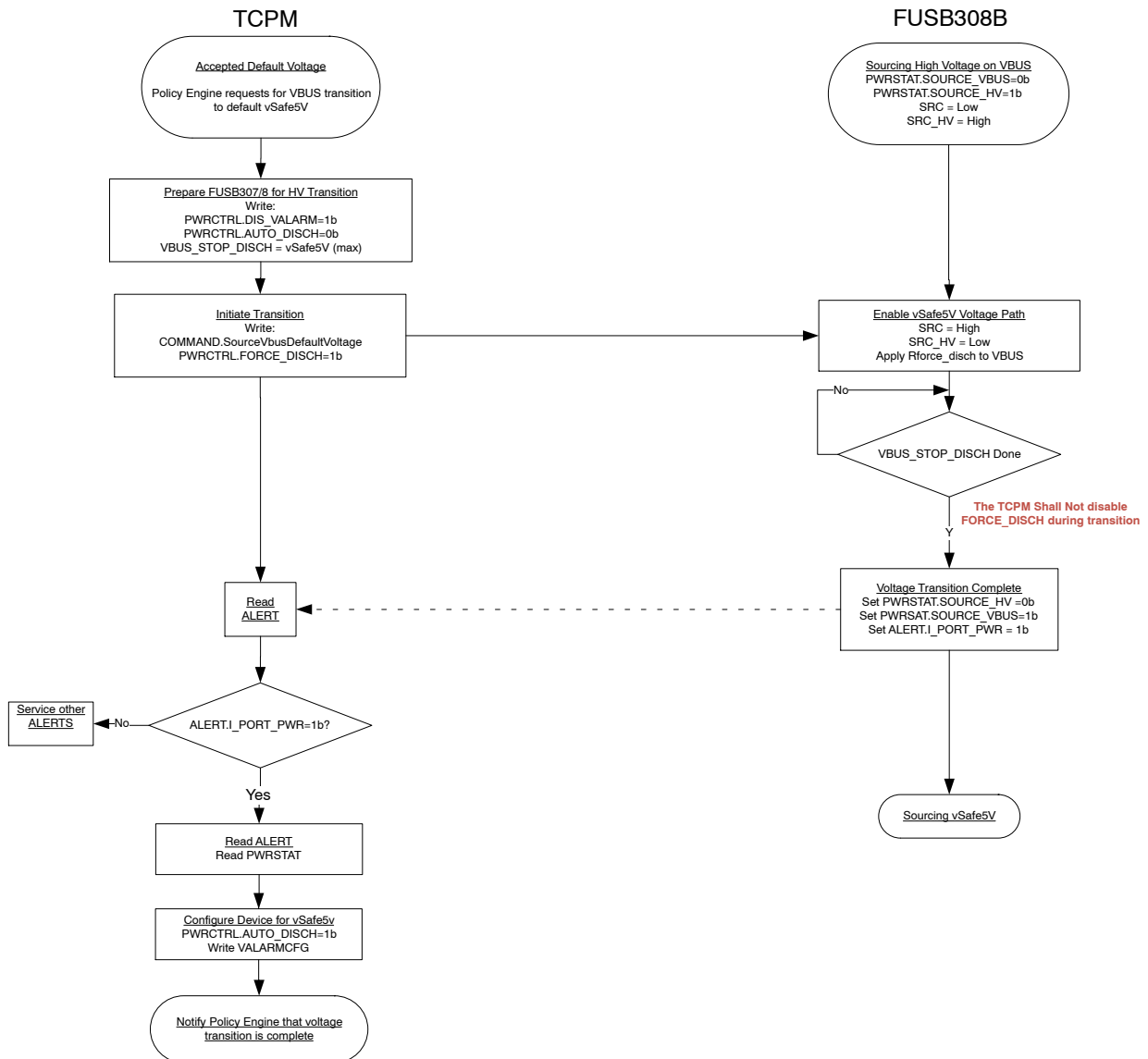


Figure 11. Transition to vSafe5V from SRC_HV Controlled Path (FUSB308B)

FUSB308B

Transition to HV using SRC enabled Path

NOTE: Transitioning from HV on SRC to vSafe5v also on SRC can be done by using Voltage Alarm Low.
Power supply is responsible for transitioning voltages to meet USB PD spec- no discharge necessary.

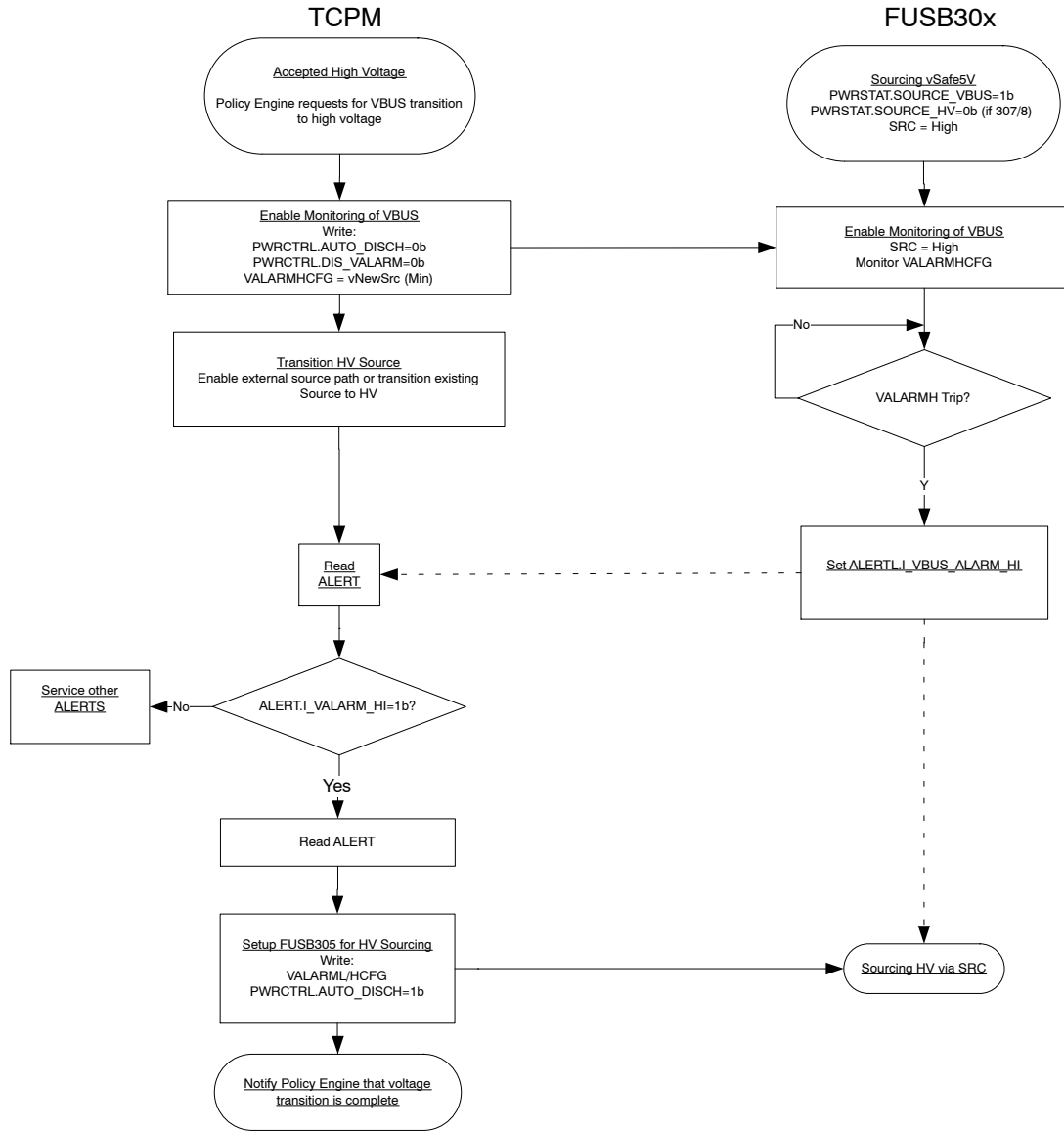


Figure 12. Transition to High Voltage using SRC Controlled Path VBUS

VBUS Monitoring and Measurement

The FUSB308B can monitor the presence of VBUS and will report it on PWRSTAT.VBUS_VAL and interrupt ALERT.I_PORT_PWR.

VBUS_VAL is set according to VBUS thresholds in $vVBUS_{thr}$.

The FUSB308B also supports a more precise voltage measurement via an on-board ADC. The voltage on VBUS is measured at a rate of $tVBUS_{sample}$ and it is reported on VBUS_VOLTAGE_L/H register. The precision of the measurement is $\pm 2\%$ with a resolution of 25 mV LSB.

In addition to providing the μ Processor an accurate measurement of VBUS, the measurement in VBUS_VOLTAGE will be used when monitoring various user defined thresholds:

- Voltage alarms in registers VALARMLCFG and VALARMHCFG
- VBUS Disconnect Threshold in registers VBUS_SNK_DISC and VBUS_SNK_DISC
- VBUS Stop Discharge Threshold in registers VBUS_STOP_DISC and VBUS_STOP_DISC

The FUSB308B implements Low and High VBUS Voltage Alarms that can be programmable via VALARMLCFG and VALARMHCFG respectively. If the High or the Low thresholds are crossed, the FUSB308B will signal an interrupt on ALERT.I_VBUS_ALARM_HI or ALERT.I_VBUS_ALARM_LO respectively. These alarms can be disabled by writing PWRCTRL.DIS_VALARM to one.

ALERT.I_PORT_PWR is asserted if the bit-wise AND of PWRSTAT and PWRSTAMSK results in any bits that have the value 1.

VBUS Discharge

Manual Discharge

There are two types of manual discharge circuits implemented: A bleed discharge for low current and a force discharge. The bleed discharge can be manually enabled by writing a one to register bit PWRCTRL.EN_BLEED_DISCH. When enabled, the bleed discharge provides a low current load on VBUS of 7 KW (max.) via R_BLEED. The force discharge is used to quickly discharge VBUS to v_{Safe0V} by applying a dynamic load to VBUS via R_FULL_DISCH. The force discharge can be manually enabled by writing a one to register bit PWRCTRL.FORCE_DISCH. When R_FULL_DISCH is applied, the maximum slew rate allowed for discharging VBUS does not exceed $v_{SrcSlewNeg}$ 30 mV/ μ s as it is specified in the USB-PD spec.

Automatic discharge bit PWRCTRL.AUTO_DISCH must be disabled before enabling force discharge.

Automatic Source Discharge after a Disconnect

Automatic discharge can be enabled by setting PWRCTRL.AUTO_DISCH register bit. When in Source mode the FUSB308B will fully discharge VBUS to v_{Safe5V} (max.) within t_{Safe5V} and to v_{Safe0V} within t_{Safe0V} when a Disconnect occurs. The FUSB308B is in Source mode when the SRC output is asserted.

The FUSB308B in Source mode will detect a Disconnect if the CCSTAT.CCx_STAT field for the monitored CC pin indicates SRC.Open and enable the FULL Discharge pull-down device. The monitored CC pin is specified by TCPC_CTRL.ORIENT.

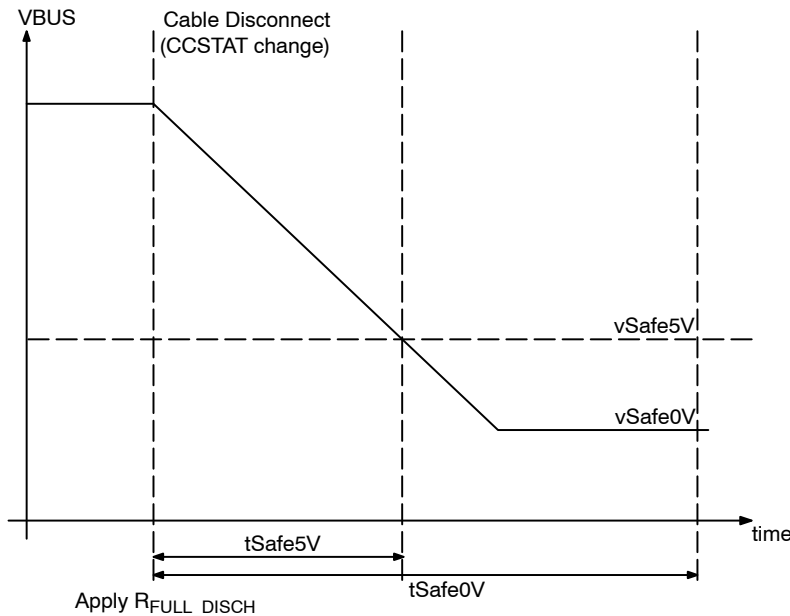


Figure 13. VBUS Auto Discharge as Source

FUSB308B

Discharge during a Connection

The discharge functions can be manually activated via the PWRCTRL.FORCE_DISCH register. The discharge

pull-down is specified by R_{FULL_DISCH} . The FUSB308B will automatically disable discharge when VBUS reaches VBUS_STOP_DISC threshold.

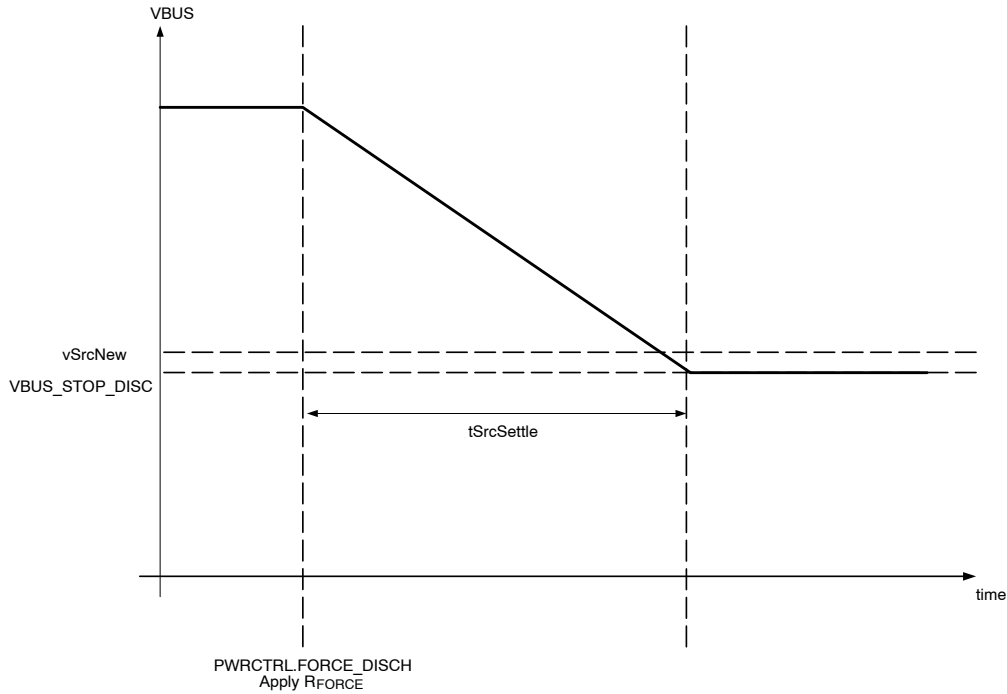


Figure 14. Source Discharge During a Connection

Watchdog Timer

The watchdog timer functionality is enabled whenever TCPC_CTRL.EN_WATCHDOG is set to 1b. The watchdog timer should only be enabled after an attach when the device is in Attached.Src, Attached.Snk or Apply.ROLECONTROL states. The watchdog timer starts when any of the interrupts that are not masked in the Alert register are set or when the INTB pin is asserted. The watchdog timer is cleared on an I2C access by the TCPM

(either read or write). If the INTB pin is still asserted after this I2C access, the watchdog timer will reinitialize and start monitoring again until all of the Alerts are cleared or until the INTB pin is de-asserted.

When the watchdog timer expires, the FUSB308B will immediately disconnect the CC terminations by setting ROLE_CONTROL bits 3..0 to 1111b, disable all SRC/SRC_HV or SNK outputs, discharge VBUS to vSafe0V, and set FAULT_STATUS.I2CInterfaceError.

FUSB308B

USB-PD Rev 3.0 Features

Extended Data Messages

Extended Data Messages is only supported via Chunking where large messages are broken into 2 or more 26 byte chunks.

ABSOLUTE MAXIMUM RATINGS

Symbol	Parameter		Min	Max	Unit
V _{DDAMR}	Supply Voltage from VDD		-0.5	6.0	V
V _{CC_HDDRP} (Note 6)	CC pins when configured as Host, Device or Dual Role Port		-0.5	6.0	V
V _{VBUS}	VBUS Supply Voltage		-0.5	28.0	V
T _{STORAGE}	Storage Temperature Range		-65	+150	C
T _J	Maximum Junction Temperature			+150	C
T _L	Lead Temperature (Soldering, 10 seconds)			+260	C
ESD	Human Body Model, JEDEC JESD22-A114	Connector Pins (VBUS, CCx)	4		kV
		Others	2		kV
	Charged Device Model, JEDEC LESD22-C101	All Pins	1		kV

Stresses exceeding those listed in the Maximum Ratings table may damage the device. If any of these limits are exceeded, device functionality should not be assumed, damage may occur and reliability may be affected.

6. As host, device drives CC, VConn.

RECOMMENDED OPERATING CONDITIONS

Symbol	Parameter	Min	Typ	Max	Unit
V _{VBUS}	VBUS Supply Voltage (Note 7)	4.0	5.0	21.5	V
V _{DD}	VDD Supply Voltage	2.8 (Note 8)	3.3	5.5	V
V _{CONN}	VCONN Supply Voltage (Note 9)	2.7		5.5	V
I _{CONN}	VCONN Supply Current			560	mA
T _A	Operating Temperature	-40		+85	C
T _A	Operating Temperature (Note 10)	-40		+105	C

Functional operation above the stresses listed in the Recommended Operating Ranges is not implied. Extended exposure to stresses beyond the Recommended Operating Ranges limits may affect device reliability.

7. 20 V PD + 5% Tolerance per spec + 0.5 V Load Transition.

8. This is for functional operation only and isn't the lowest limit for all subsequent electrical specifications below. All electrical parameters have a minimum of 3 V operation.

9. For powered accessories Vconn minimum is 2.7 V.

10. Automotive part only, FUSB308BVMPX.

FUSB308B

DC and Transient Characteristics

Unless otherwise specified: Recommended T_A and T_J temperature ranges. All typical values are at $T_A = 25^\circ\text{C}$ and $V_{DD} = 3.3\text{ V}$ unless otherwise specified.

CURRENT CONSUMPTION

Symbol	Parameter	$T_A = -40\text{ to }+85^\circ\text{C}$ $T_A = -40\text{ to }+105^\circ\text{C (Note 15)}$ $T_J = -40\text{ to }+125^\circ\text{C}$			Unit
		Min	Typ	Max	
I _{DISABLE}	Disable Current (ROLECTRL = 0x0F)			10	μA
	Unattached DRP or Source		7	20	μA
	Attached as Source (No PD)		12	22	μA

BASEBAND PD

Symbol	Parameter	$T_A = -40\text{ to }+85^\circ\text{C}$ $T_A = -40\text{ to }+105^\circ\text{C (Note 15)}$ $T_J = -40\text{ to }+125^\circ\text{C}$			Unit
		Min	Typ	Max	
UI	Unit Interval	3.03	3.33	3.70	μs

TRANSMITTER

zDriver	TX output impedance at 750 kHz with an external 220 pF or equivalent load	33		75	Ω
tEndDriveBMC	Time to cease driving the line after the end of the last bit of the Frame			2	UI
tHoldLowBMC	Time to cease driving the line after the final high-to-low transition	1			μs
tStartDrive	Time before the start of the first bit of the preamble when the transmitter shall start driving the line	-1		1	μs
tBISTContMode	Time a BIST Carrier Mode 2 transmission is performed	30		60	ms
tBUFFER2CC	Time from I2C Stop from writing to TRANSMIT register to first bit of Preamble transmitted			195	μs
t _R	Rise Time	300			ns
t _F	Fall Time	300			ns

RECEIVER

CReceiver (Note 11)	Receiver capacitance when driver isn't turned on		25		pF
zBmcRx	Receiver Input Impedance	1			M Ω
tCC2BUFFER	Time between last bit of EOP to I_RXSTAT			50	μs
tRxFilter	Rx bandwidth limiting filter (Note 11)	100			ns
nTransitionCount	Transitions count in a time window of 20 μs max	3			Edges
tTransitionWindow	Time window for detecting non-idle	12		20	μs

11. Guaranteed by characterization and/or design. Not production tested.

FUSB308B

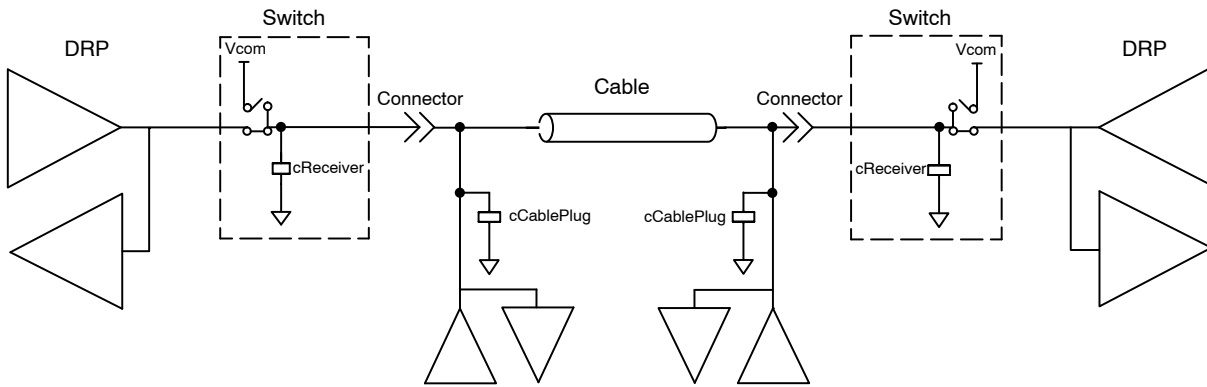


Figure 15. Transmitter Test Load

USB-PD R3.0 SPECIFIC PARAMETERS

Symbol	Parameter	$T_A = -40$ to $+85^\circ\text{C}$ $T_A = -40$ to $+105^\circ\text{C}$ (Note 15) $T_J = -40$ to $+125^\circ\text{C}$			Unit
		Min	Typ	Max	
TRANSMITTER					
rFRSwapTx	Fast Role Swap request transmit driver resistance Measured from $V_{CCx} = 0$ to vFRSwapCableTx			5	Ω
tFRSwapTx	Fast Role Swap request transmit duration	60		120	μs
RECEIVER					
tFRSwapRx	Fast Role Swap request detection time	30		50	μs
vFRSwapCableTx	Fast Role Swap request voltage detection threshold	490	520	550	mV

TYPE C SPECIFIC PARAMETERS

Symbol	Parameter	$T_A = -40$ to $+85^\circ\text{C}$ $T_A = -40$ to $+105^\circ\text{C}$ (Note 15) $T_J = -40$ to $+125^\circ\text{C}$			Unit
		Min	Typ	Max	
R_{SW_CCx}	R_{DSON} for VCONN to CC1 or VCONN to CC2		0.4	1.0	Ω
I_{SW_CCX}	Over Current Protection (OCP) limit at which VCONN switch shuts off over the entire VCONN voltage range $V_{CONN_OCP} = 0Fh$	600	800	1000	mA
$t_{SoftStart}$	Time taken for the VCONN switch to turn on during which Over-Current Protection is disabled		1.5		ms
I_{80_CCX}	DFP 80 μA CC Current (Default) ROLECTRL = 05h	64	80	96	μA
I_{180_CCX}	DFP 180 μA CC Current (1.5 A) ROLECTRL = 15h	166	180	194	μA
I_{330_CCX}	DFP 330 μA CC Current (3 A) ROLECTRL = 25h	304	330	356	μA
R_{DEVICE}	Device pull-down resistance (Note 12)	4.6	5.1	5.6	k Ω
R_a	Powered Accessory Termination	800		1200	Ω
vRa-SRCdef	R_a Detection Threshold for CC Pin for Source for Default Current on VBUS	0.15	0.20	0.25	V
vRa-SRC1.5A	R_a Detection Threshold for CC Pin for Source for 1.5 A Current on VBUS	0.35	0.40	0.45	V
vRa-SRC3A	R_a Detection Threshold for CC Pin for Source for 3 A Current on VBUS	0.75	0.80	0.85	V

FUSB308B

TYPE C SPECIFIC PARAMETERS (continued)

Symbol	Parameter	$T_A = -40$ to $+85^\circ\text{C}$ $T_A = -40$ to $+105^\circ\text{C}$ (Note 15) $T_J = -40$ to $+125^\circ\text{C}$			Unit	
		Min	Typ	Max		
vRd-SRCdef	Rd Detection Threshold for Source for Default Current (HOST_CUR1/0 = 01)	1.50	1.60	1.65	V	
vRd-SRC1.5A	Rd Detection Threshold for Source for 1.5 A Current (HOST_CUR1/0 = 10)	1.50	1.60	1.65	V	
vRd-SRC3A	Rd Detection Threshold for Source for 3 A Current (HOST_CUR1/0 = 11)	2.45	2.60	2.75	V	
vRa-SNK	Ra Detection Threshold for CC Pin for Sink	0.15	0.20	0.25	V	
vRd-def	Rd Default Current Detection Threshold for Sink	0.61	0.66	0.70	V	
vRd-1.5A	Rd 1.5 A Current Detection Threshold for Sink	1.16	1.23	1.31	V	
vRd-3.0A	Rd 3 A Current Detection Threshold for Sink	2.04	2.11	2.18	V	
zOPEN	CC resistance for disabled state, ROLECTRL = 0Fh	126			k Ω	
vCONNthr	Valid VCONN Voltage Assumes PWRCTRL.EN_VCONN = 1b			2.4	V	
tTCPCfilter	Debounce time on CC lines to prevent CCSTAT change in case of minor changes in voltage on CC because of noise	4		500	μs	
tCCDebounce	Debounce Time for CC Attach Detection	100	150	200	ms	
tSetReg	Time between CC status change and I2C registers updated			50	μs	
tTCPCSampleRate	CC Sample rate for indicating changes on CC lines			1	ms	
tDRP	Sum of tToggleSrc and tToggleSnk timers	50		100	ms	
tToggleSrc	Time Spent in Apply Rp before transitioning to Apply Rd	DRPTOGGLE = 00	15		30	ms
		DRPTOGGLE = 01	20		40	ms
		DRPTOGGLE = 10	25		50	ms
		DRPTOGGLE = 11	30		60	ms
tToggleSnk	Time Spent in Apply Rd before transitioning to Apply Rp	DRPTOGGLE = 00	35		70	ms
		DRPTOGGLE = 01	30		60	ms
		DRPTOGGLE = 10	25		50	ms
		DRPTOGGLE = 11	20		40	ms

12. RDEVICE minimum and maximum specifications are only guaranteed when power is applied.

VBUS MEASUREMENT CHARACTERISTICS

Symbol	Parameter	$T_A = -40$ to $+85^\circ\text{C}$ $T_A = -40$ to $+105^\circ\text{C}$ (Note 15) $T_J = -40$ to $+125^\circ\text{C}$			Unit
		Min	Typ	Max	
vMDACstepVBUS	VBUS Measure block LSB reported on VBUS_VOLTAGE[9:0] register		25		mV
pMDACVBUS	Accuracy of VBUS Voltage Measurement	$T_A = -40$ to $+85^\circ\text{C}$		± 2	%
		$T_A = +85$ to $+105^\circ\text{C}$ (Note 12)		± 5	%
tVBUSsample	Sampling period of VBUS Measurement		3		ms
vVBUSthr	VBUS threshold at which VBUS_VAL interrupt is triggered. Assumes VBUS present detection is enabled	3.5		4.05	V
vVBUShys	Hysteresis on VBUS Comparator		50		mV

FUSB308B

VBUS MEASUREMENT CHARACTERISTICS (continued)

Symbol	Parameter	T _A = -40 to +85°C T _A = -40 to +105°C (Note 15) T _J = -40 to +125°C			Unit
		Min	Typ	Max	
vSafe0Vthr	Safe Operating Voltage at “Zero Volts” Threshold			0.8	V
vSafe0Vhys	vSafe0V Hysteresis		40		mV
vALARMLSB	LSB of VBUS thresholds for VBUS_SNK_DISCL VBUS_STOP_DISCL VALARMHCFGL VALARMLCFGL		50		mV
pALARM	Accuracy of VBUS thresholds for VBUS_SNK_DISCL VBUS_STOP_DISCL VALARMHCFGL VALARMLCFGL			±5	%

FUSB308B

SOURCE AND SINK CONTROL SPECIFICATIONS

Symbol	Parameter		$T_A = -40$ to $+85^\circ\text{C}$ $T_A = -40$ to $+105^\circ\text{C}$ (Note 15) $T_J = -40$ to $+125^\circ\text{C}$			
			Min	Typ	Max	Unit
R_{BLEED}	Equivalent Resistance for bleed discharging VBUS	VBUS = 4.0 V to 21.5 V	4		7	$k\Omega$
vSrcSlewNeg	Maximum slew rate allowed when discharging VBUS	VBUS = 4.0 V to 21.5 V			30	mV/ μs
tSafe0V	Time to reach vSafe0V max				650	ms
tSafe5V	Time to reach vSafe5V max				275	ms
tSrcSettle	Time to discharge to vSrcNew				275	ms
tAUTO_DISCH_FAIL	Time to declare auto discharge failure to discharge to vSafe0V	Device configured as Source. Measure from CCSTAT change to Open	650			ms
tAUTO_DISCH_FAIL_5V	Time to declare auto discharge failure to discharge to vSafe5V	Device configured as Source. Measure from CCSTAT change to Open	275			ms

OVER-TEMPERATURE SPECIFICATIONS

Symbol	Parameter	Min	Typ	Max	Unit
T_{SHUT}	Temp. for VCONN Switch Turn Off		145		$^\circ\text{C}$
T_{HYS}	Temp. Hysteresis for VCONN Switch Turn On		10		$^\circ\text{C}$

WATCHDOG TIMER SPECIFICATIONS

Symbol	Parameter	Min	Typ	Max	Unit
$T_{HV}Watchdog$	Time from last I2C transaction or INTB pin assertion to entering ErrorRecovery	1500		2000	ms

IO SPECIFICATIONS

Symbol	Parameter	V_{DD} (V)	Conditions	$T_A = -40$ to $+85^\circ\text{C}$ $T_A = -40$ to $+105^\circ\text{C}$ (Note 15) $T_J = -40$ to $+125^\circ\text{C}$			Unit
				Min	Typ	Max	

HOST INTERFACE PINS(INT_N, DBG_N)

V_{OLINTN}	Output Low Voltage	3.0 to 5.5	$I_{OL} = 4$ mA			0.4	V
--------------	--------------------	------------	-----------------	--	--	-----	---

GPIOs, ORIENT AND MUX_SEL PINS

V_{IL}	Low-Level Input Voltage	3.0 to 5.5				0.4	V
V_{IH}	High-Level Input Voltage	3.0 to 5.5		1.2			V
V_{OL}	Low-Level Output Voltage	3.0 to 5.5	$I_{OL} = 4$ mA			0.4	V
V_{OH}	High-Level Output Voltage	3.0 to 5.5	$I_{OH} = -2$ mA	$0.7V_{DD}$			V
I_{IN}	Input Leakage	3.0 to 5.5	Input Voltage 0 V to 5.5 V (When GPIO is setup as an input or Tri-Stated output)	-5		5	μA
I_{OFF}	Off Input Leakage	0	Input Voltage 0 V to 5.5 V	-5		5	μA

SRC, SNK AND SRC_HV

V_{OL}	Low-Level Output Voltage	3.0 to 5.5	$I_{OL} = 4$ mA			0.4	V
----------	--------------------------	------------	-----------------	--	--	-----	---

FUSB308B

IO SPECIFICATIONS (continued)

Symbol	Parameter	V _{DD} (V)	Conditions	T _A = -40 to +85°C T _A = -40 to +105°C (Note 15) T _J = -40 to +125°C			Unit
				Min	Typ	Max	

SRC, SNK AND SRC_HV

V _{OH}	High-Level Output Voltage	3.0 to 5.5	I _{OH} = -2 mA	0.7V _{DD}			V
-----------------	---------------------------	------------	-------------------------	--------------------	--	--	---

I²C INTERFACE PINS – STANDARD, FAST OR FAST MODE PLUS SPEED MODE SDA, SCL) (Note 13)

V _{DDEXT}	External power supply to which SDA and SCL are pulled up			1.8		3.6	V
V _{IL} I ² C	Low-Level Input Voltage	3.0 to 5.5				0.4	V
V _{IH} I ² C	High-Level Input Voltage	3.0 to 5.5		1.2			V
V _{HYS}	Hysteresis of Schmitt Trigger Inputs	3.0 to 5.5		0.2			V
I _{I²C}	Input Current of SDA and SCL Pins,	3.0 to 5.5	Input Voltage 0.26 V to 2 V	-10		10	μA
I _{CC} I ² C	V _{DD} current when SDA or SCL is HIGH	3.0 to 5.5	Input Voltage 1.8 V	-10		10	μA
V _{OL} SDA	Low-Level Output Voltage at 2 mA Sink Current (Open-Drain)	3.0 to 5.5		0		0.36	V
I _{OL} SDA	Low-Level Output Current (Open-Drain)	3.0 to 5.5	V _{OL} SDA = 0.4 V	20			mA
C _I (Note 14)	Capacitance for Each I/O Pin	3.0 to 5.5			5		pF

13. I²C pull up voltage is required to be between 1.71 V and V_{DD}.

FAST MODE PLUS I²C SPECIFICATIONS

Symbol	Parameter	Fast Mode Plus		
		Min.	Max.	Unit
f _{SCL}	I ² C_SCL Clock Frequency	0	1000	kHz
t _{HD;STA}	Hold Time (Repeated) START Condition	0.26		μs
t _{LOW}	Low Period of I ² C_SCL Clock	0.5		μs
t _{HIGH}	High Period of I ² C_SCL Clock	0.26		μs
t _{SU;STA}	Set-up Time for Repeated START Condition	0.26		μs
t _{HD;DAT}	Data Hold Time	0		μs
t _{SU;DAT}	Data Set-up Time	50		ns
t _r	Rise Time of I ² C_SDA and I ² C_SCL Signals (Note 14)	20 × (V _{DD} /5.5 V)	120	ns
T _f (Note 14)	Fall Time of I ² C_SDA and I ² C_SCL Signals (Note 14)	20 × (V _{DD} /5.5 V)	120	ns
t _{SU;STO}	Set-up Time for STOP Condition	0.26		μs
t _{BUF}	Bus-Free Time between STOP and START Conditions (Note 14)	0.5		μs
t _{SP}	Pulse Width of Spikes that Must Be Suppressed by the Input Filter	0	50	ns

14. Guaranteed by characterization. Not production tested.

15. Automotive part only, FUSB308BVMPX.

FUSB308B

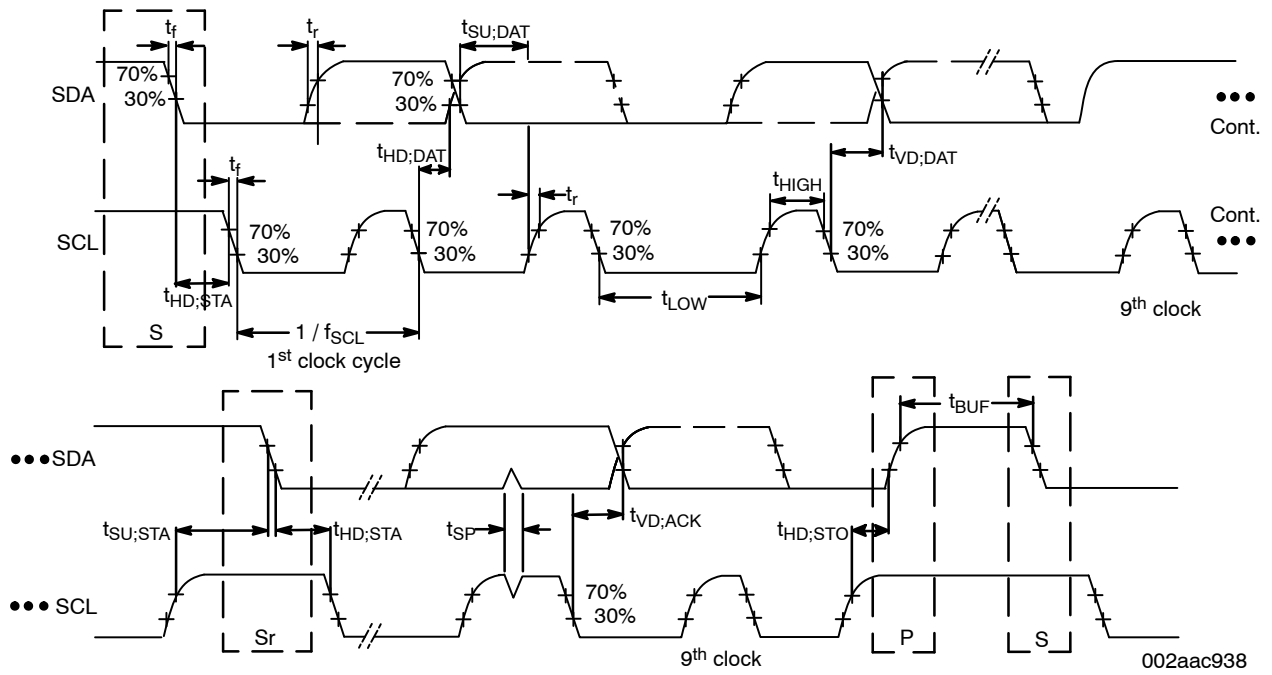


Figure 16. Definition of Timing for Full-Speed Mode Devices on the I2C Bus

FUSB308B

Table 4. REGISTER DEFINITIONS

Address	Register Name	Type	Rst Val	Bit7	Bit6	Bit5	Bit4	Bit3	Bit2	Bit1	Bit0
00h	VENDIDL	R	79h	Vendor ID Low							
01h	VENDIDH	R	07h	Vendor ID High							
02h	PRODIDL	R	34h	Product ID Low							
03h	PRODIDH	R	01h	Product ID High							
04h	DEVIDL	R	02h	Device ID Low							
05h	DEVIDH	R	02h	Device ID High							
06h	TYPECREVL	R	12h	USB Type-C Revision Low							
07h	TYPECREVH	R	00h	USB Type-C Revision High							
08h	USBPDVER	R	12h	USB PD Version							
09h	USBPDREV	R	20h	USB PD Revision							
0Ah	PDIFREVL	R	12h	USB PD Interface Revision Low (Version)							
0Bh	PDIFREVH	R	10h	USB PD Interface Revision High (Revision)							
10h	ALERTL	R/WC	00h	I_VBUS_ALARM_HI	I_TXSUCC	I_TXDISC	I_TXFAIL	I_RXHRDRST	I_RXSTAT	I_PORT_PWR	I_CCSTAT
11h	ALERTH	R/WC	00h	I_VD_ALERT	Reserved	Reserved	Reserved	I_VBUS_SNK_DISC	I_RX_FULL	I_FAULT	I_VBUS_ALARM_LO
12h	ALERTMSKL	R/W	FFh	M_VBUS_ALARM_HI	M_TXSUCC	M_TX_DISC	M_TXFAIL	M_RXHRDRST	M_RXSTAT	M_PORT_PWR	M_CCSTAT
13h	ALERTMSKH	R/W	0Fh	M_VD_ALERT	Reserved	Reserved	Reserved	M_VBUS_SNK_DISC	M_RX_FULL	M_FAULT	M_VBUS_ALARM_LO
14h	PWRSTATMSK	R/W	FFh	M_DEBUG_ACC	M_INIT	M_SRC_HV	M_SRC_VBUS	M_VBUS_VAL_EN	M_VBUS_VAL	M_VCONN_VAL	M_SNKVBUS
15h	FAULTSTATMSK	R/W	B3h	M_ALL_REGS_RESET	Reserved	M_AUTO_DISCH_FAIL	M_FORCE_DISCH_FAIL	Reserved	Reserved	M_VCONN_OCP	M_I2C_ERR
16h..17h	Reserved	R	00h	Reserved							
18h	STD_OUT_CFG	R/W	40h	TRI_STATE	DEBUG_ACC	Reserved	Reserved	MUX_CTRL		Reserved	ORIENT
19h	TCPC_CTRL	R/W	00h	Reserved		EN_WATCHDOG	DEBUG_ACC_CTRL	I2C_CLK_STRECTH		BIST_TMODE	ORIENT
1Ah	ROLECTRL	R/W	0Ah 4Ah	Reserved	DRP	RP_VAL		CC2_TERM		CC1_TERM	

FUSB308B

Table 4. REGISTER DEFINITIONS (continued)

Address	Register Name	Type	Rst Val	Bit7	Bit6	Bit5	Bit4	Bit3	Bit2	Bit1	Bit0	
1Bh	FAULTCTRL	R/W	00h	Reserved			Reserved	DISCH_TIMER_DIS	Reserved	Reserved	VCONN_OCP_DIS	
1Ch	PWRCTRL	R/W	60h	Reserved	VBUS_MON	DIS_VALRM	AUTO_DISCH	EN_BLEED_DISCH	FORCE_DISCH	VCONN_PWR	EN_VCONN	
1Dh	CCSTAT	R	00h/20h	Reserved		LOOK4CON	CON_RES	CC2_STAT		CC1_STAT		
1Eh	PWRSTAT	R	08h	DEBUG_ACC	TCPC_INIT	SOURCE_HV	SOURCE_VBUS	VBUS_VAL_EN	VBUS_VAL	VCONN_VAL	SNKVBUS	
1Fh	FAULTSTAT	R	80h	ALL_REGS_RESET	Reserved	AUTO_DISCH_FAIL	FORCE_DISCH_FAIL	Reserved	Reserved	VCONN_OCP	I2C_ERR	
20h..22h	Reserved	R	00h	Reserved								
23h	COMMAND	R	00h	Command								
24h	DEVCAP1L	R	DDh	ROLES_SUPPORT			ROLES_SUPPORT	SWITCH_VCONN	SNK_VBUS	SRC_HV	SRC_VBUS	
25h	DEVCAP1H	R	1Eh	Reserved			BLEED_DIS	FORCE_DIS	VBUS_MEAS_ALARM	RP_SUPPORT		
26h	DEVCAP2L	R	D7h	SNK_DISC_DETECT	STOP_DISCH	VBUS_ALARM_LSB		VCONN_POWER_CAP			VCONN_FAULT_CAP	
27h	DEVCAP2H	R	01h	Reserved							Watchdog Timer	
28h	STD_IN_CAP	R	00h	Reserved								
29h	STD_OUT_CAP	R	41h	Reserved	DEBUG_ACC	Reserved			MUX_CTRL	Reserved	ORIENT	
2Ah..2Dh	Reserved	R	00h	Reserved								
2Eh	MSGHEADR	R/W	02h	Reserved			Cable Plug	Data Role	USB PD Rev		PWR Role	
2Fh	RXDETECT	R/W	00h	Reserved	EN_CABLE_RST	EN_HRD_RST	EN_SOP2_DBG	EN_SOP1_DBG	EN_SOP2	EN_SOP1	EN_SOP	
30h	RXBYTECNT	R	00h	Received Byte Count								
31h	RXSTAT	R	00h	Reserved					Received SOP* Message			
32h	RXHEADL	R	00h	Received Header Low								
33h	RXHEADH	R	00h	Received Header High								
34h..4Fh	RXDATA	R	00h	Received Data Payload								
50h	TRANSMIT	R/W	00h	Reserved		Retry Counter		Reserved	Transmit SOP* Message			

FUSB308B

Table 4. REGISTER DEFINITIONS (continued)

Address	Register Name	Type	Rst Val	Bit7	Bit6	Bit5	Bit4	Bit3	Bit2	Bit1	Bit0	
51h	TXBYTECNT	R/W	00h	Transmit Byte Count								
52h	TXHEADL	R/W	00h	Transmit Header Low								
53h	TXHEADH	R/W	00h	Transmit Header High								
54h..6F	TXDATA	R/W	00h	Transmit Payload								
70h	VBUS_VOLTAGE_L	R	00h	VBUS Measurement Output								
71h	VBUS_VOLTAGE_H	R	00h									
72h	VBUS_SNK_DISCL	R/W	A0h	VBUS SINK Disconnected Threshold (See Register Description Table)								
73h	VBUS_SNK_DISCH	R/W	1Ch									
74h	VBUS_STOP_DISCL	R/W	00h	VBUS Discharge Stop Threshold (See Register Description Table)								
75h	VBUS_STOP_DISCH	R/W	00h									
76h	VALARMHCFG_L	R/W	00h	Voltage High Trip Point (See Register Description Table)								
77h	VALARMHCFG_H	R/W	00h									
78h	VALARMLCFG_L	R/W	00h	Voltage Low Trip Point (See Register Description Table)								
79h	VALARMLCFG_H	R/W	00h									
7Ah..7Fh	Reserved	R/W	00h	Reserved								
A0h	VCONN_OCP	R/W	0Fh	Reserved				OCP_RANGE	OCP_CUR			
A2h	RESET	R/WC	00h	Reserved							PD_RST	SW_RST
A4h	GPIO1_CFG	R/W	00h	Reserved					GPO1_VAL	GPI1_EN	GPO1_EN	
A5h	GPIO2_CFG	R/W	00h	Reserved				FR_SWAP_FN	GPO2_VAL	GPI2_EN	GPO2_EN	
A6h	GPIO_STAT	R	00h	Reserved							GPI2_VAL	GPI1_VAL
A7h	DRPTOGGLE	R/W	00h	Reserved							DRPTOGGLE	
A9h..AFh	Reserved	R	00h	Reserved								
B1h	SRC_FRSWAP	R/W	00h	Reserved								
B2h	SNK_FRSWAP	R/W	00h	Reserved								
B3h	ALERT_VD	R/W	00h	Reserved	I_DISCH_SUCC	I_GPI2	I_GPI1	I_VDD_DTCT	I_OTP	I_SWAP_TX	I_SWAP_RX	
B4h	ALERT_VD_MSK	R/W	7Fh	Reserved	M_DISCH_SUCC	M_GPI2	M_GPI1	M_VDD_DTCT	M_OTP	M_SWAP_TX	M_SWAP_RX	

FUSB308B

Table 5. VENDIDL

Address: 00h
Reset Value: 0x79
Type: Read

Bit #	Name	R/W/C	Size (Bits)	Vendor ID Low Description
7:0	VENDIDL	R	8	ON Semiconductor Vendor ID Low: 79h

Table 6. VENDIDH

Address: 01h
Reset Value: 0x07
Type: Read

Bit #	Name	R/W/C	Size (Bits)	Vendor ID High Description
7:0	VENDIDH	R	8	ON Semiconductor Vendor ID High: 07h

Table 7. PRODIDL

Address: 02h
Reset Value: See Below
Type: Read

Bit #	Name	R/W/C	Size (Bits)	Product ID Low Description
7:0	PRODIDL	R	8	Product ID Low, FUSB308B: 34h

Table 8. PROIDH

Address: 03h
Reset Value: 0x01h
Type: Read

Bit #	Name	R/W/C	Size (Bits)	Product ID High Description
7:0	PROIDH	R	8	Product ID High, All: 1h

Table 9. DEVIDL

Address: 04h
Reset Value: 0x02h
Type: Read

Bit #	Name	R/W/C	Size (Bits)	Device ID Low (Version) Description
7:0	REVIDL	R	8	Revision ID Low: 01h A_[Revision ID]: 0x01 (e.g. A_revA) B_[Revision ID]: 0x02 (e.g. B_revA) C_[Revision ID]: 0x03 (e.g. C_revA) etc

Table 10. DEVIDH

Address: 05h
Reset Value: 0x02h
Type: Read

Bit #	Name	R/W/C	Size (Bits)	Device ID High (Revision) Description
7:0	DEVIDH	R	8	Revision ID High: 00h " [Version ID]_revA: 0x00 (e.g. A_revA) [Version ID]_revB: 0x01 (e.g. A_revB) [Version ID]_revC: 0x02 (e.g. A_revC) etc

FUSB308B

Table 11. TYPECREVL

Address: 06h

Reset Value: 0x12h

Type: Read

Bit #	Name	R/W/C	Size (Bits)	Type-C Revision Low Description
7:0	TYPECREVL	R	8	Type-C Revision High: 12h

Table 12. TYPECREVH

Address: 07h

Reset Value: 0x00h

Type: Read

Bit #	Name	R/W/C	Size (Bits)	Type-C Revision High Description
7:0	TYPECREVH	R	8	Type-C Revision High: 00h

Table 13. USBPDVER

Address: 08h

Reset Value: 0x12h

Type: Read

Bit #	Name	R/W/C	Size (Bits)	USB-PD Version Description
7:0	USBPDVER	R	8	USB-PD Version: 12h

Table 14. USBPDREV

Address: 09h

Reset Value: 0x20h

Type: Read

Bit #	Name	R/W/C	Size (Bits)	USB-PD Revision Description
7:0	USBPDREV	R	8	USB-PD Revision: 20h

Table 15. PDIFREVL

Address: 0Ah

Reset Value: 0x12h

Type: Read

Bit #	Name	R/W/C	Size (Bits)	USB-PD Interface Revision Low Description
7:0	PDIFREVL	R	8	USB-PD IF Version: 12h

Table 16. PDIFREVH

Address: 0Bh

Reset Value: 0x10h

Type: Read

Bit #	Name	R/W/C	Size (Bits)	USB-PD Interface Revision High Description
7:0	PDIFREVH	R	8	USB-PD IF Revision: 10h

FUSB308B

Table 17. ALERT1

Address: 10h

Reset Value: 0x00

Type: Read, Write 1 to Clear

Bit #	Name	R/W/C	Size (Bits)	ALERT1 Description
7	I_VBUS_ALARM_HI	R/W/C	1	Voltage Alarm Hi 0b: Cleared 1b: A high-voltage alarm has occurred
6	I_TXSUCC	R/W/C	1	0b: Cleared 1b: Reset or SOP* message transmission successful. GoodCRC response received on SOP* message transmission. Transmit SOP* message buffer registers are empty
5	I_TXDISC	R/W/C	1	0b: Cleared 1b: Reset or SOP* message transmission not sent due to incoming receive message. Transmit SOP* message buffer registers are empty
4	I_TXFAIL	R/W/C	1	0b: Cleared 1b: SOP* message transmission not successful, no GoodCRC response received on SOP* message transmission. Transmit SOP* message buffer registers are empty.
3	I_RXHRDRST	R/W/C	1	Received Hard Reset 0b: Cleared 1b: Received Hard Reset message
2	I_RXSTAT	R/W/C	1	Receive Status 0b: Cleared 1b: RXSTAT changed. RXBYTECNT being 0 does not set this register
1	I_PORT_PWR (Note 16)	R/W/C	1	Port Power Status 0b: Cleared 1b: Port status changed. Read PWRSTAT register
0	I_CCSTAT	R/W/C	1	CC Status 0b: Cleared 1b: CC status changed. Read CCSTAT register

16. ALERT1.I_PORT_PWR is asserted if the bit-wise AND of PWRSTAT and PWRSTAMSK results in any bits that have the value 1.

FUSB308B

Table 18. ALERTH

Address: 11h

Reset Value: 0x00

Type: Read, Write 1 to Clear

Bit #	Name	R/W/C	Size (Bits)	ALERT2 Description
7	I_VS_ALERT	RWC	1	Vendor Defined Alert 0b: Cleared 1b: A Vendor Defined Alert occurred. Please read ALERT_VD register
6:4	Reserved	R	3	Reserved: 000b
3	I_VBUS_SNK_DISC	RWC	1	VBUS Sink Disconnect Detected 0b: Cleared 1b: A VBUS Sink Disconnect Threshold crossing from High to Low has been detected
2	I_RX_FULL	RWC	1	Rx Buffer Overflow 0b: Internal RX Buffer is functioning properly 1b: Internal RX Buffer has overflowed Note: This interrupt indicates overflow of the internal buffer, not the RXDATA space. To clear overflow condition, write to ALERTL.I_RX-STAT Writing a 1 to this register acknowledges the overflow. The actual overflow is cleared by writing to ALERTL.I_RXSTAT
1	I_FAULT (Note 17)	R/WC	1	Fault Alarm 0b: Cleared 1b: A Fault alarm has occurred. Read FAULTSTAT register
0	I_VBUS_ALRM_LO	R/WC	1	Voltage Alarm Lo 0b: Cleared 1b: A low-voltage alarm has occurred

17. ALERTH.I_FAULT is asserted if the bit-wise AND of FAULTSTAT and FAULTSTAMSK results in any bits that have the value 1.

Table 19. ALERTMSKL

Address: 12h

Reset Value: 0xFF (Resets on POR, SW_RST and Hard Reset)

Type: Read/Write

Bit #	Name	R/W/C	Size (Bits)	Alert Mask 1 Description
7	M_VBUS_ALRM_HI	R/W	1	0b: Interrupt masked 1b: Interrupt unmasked
6	M_TXSUCC	R/W	1	0b: Interrupt masked 1b: Interrupt unmasked
5	M_TX_DISC	R/W	1	0b: Interrupt masked 1b: Interrupt unmasked
4	M_TXFAIL	R/W	1	0b: Interrupt masked 1b: Interrupt unmasked
3	M_RXHRDRST	R/W	1	0b: Interrupt masked 1b: Interrupt unmasked Note: Generally this interrupt should not be masked.
2	M_RXSTAT	R/W	1	0b: Interrupt masked 1b: Interrupt unmasked
1	M_PORT_PWR	R/W	1	0b: Interrupt masked 1b: Interrupt unmasked
0	M_CCSTAT	R/W	1	0b: Interrupt masked 1b: Interrupt unmasked

FUSB308B

Table 20. ALERTMSKH

Address: 13h

Reset Value: 0xFF (Resets on POR, SW_RST and Hard Reset)

Type: Read/Write

Bit #	Name	R/W/C	Size (Bits)	Alert Mask 2 Description
7	M_VD_ALERT	RW	1	0b: Interrupt masked, 1b: Interrupt unmasked
6:4	Reserved	R	3	Reserved: 000b
3	M_VBUS_SNK_DISC	RW	1	0b: Interrupt masked, 1b: Interrupt unmasked
2	M_RX_FULL	RW	1	0b: Interrupt masked, 1b: Interrupt unmasked
1	M_FAULT	RW	1	0b: Interrupt masked, 1b: Interrupt unmasked
0	M_VBUS_ALRM_LO	RW	1	0b: Interrupt masked, 1b: Interrupt unmasked

Table 21. PWRSTATMSK

Address: 14h

Reset Value: 0xFF (Resets on POR, SW_RST and Hard Reset)

Type: Read/Write

Bit #	Name	R/W/C	Size (Bits)	Power Status Mask Description
7	M_DEBUG_ACC	RW	1	Debug Accessory Connected Interrupt Mask 0b: Interrupt masked 1b: Interrupt unmasked
6	M_INIT	RW	1	TCP Initialization Interrupt Mask 0b: Interrupt masked 1b: Interrupt unmasked
5	M_SRC_HV	RW	1	Sourcing High Voltage Interrupt Mask 0b: Interrupt masked 1b: Interrupt unmasked
4	M_SRC_VBUS	RW	1	Sourcing VBUS Interrupt Mask 0b: Interrupt masked 1b: Interrupt unmasked
3	M_VBUS_VAL_EN	RW	1	VBUS Valid Detection Status Interrupt Mask 0b: Interrupt masked 1b: Interrupt unmasked
2	M_VBUS_VAL	RW	1	VBUS Valid Status Interrupt Mask 0b: Interrupt masked 1b: Interrupt unmasked
1	M_VCONN_VAL	RW	1	VCONN Present Status Interrupt Mask 0b: Interrupt masked 1b: Interrupt unmasked
0	M_SNKVBUS	RW	1	Sinking VBUS Status Interrupt Mask 0b: Interrupt masked 1b: Interrupt unmasked

FUSB308B

Table 22. FAULTSTATMSK

Address: 15h

Reset Value: 0x33 (Resets on POR, SW_RST and Hard Reset)

Type: Read/Write

Bit #	Name	R/W/C	Size (Bits)	Fault Status Mask Description
7	M_ALL_REGS_RESET	RW	1	All Registers Reset to Default 0b: Interrupt masked 1b: Interrupt unmasked
6	Reserved	R	1	Reserved: 0b
5	M_AUTO_DISCH_FAIL	RW	1	Auto Discharge Fail Interrupt Mask 0b: Interrupt masked 1b: Interrupt unmasked
4	M_FORCE_DISCH_FAIL	RW	1	Force Discharge Fail Interrupt Mask 0b: Interrupt Masked 1b: Interrupt Unmasked
3	Reserved	R	1	Reserved: 0b
2	Reserved	R	1	Reserved: 0b
1	M_VCONN_OCP	RW	1	VCONN OCP Interrupt Mask 0b: Interrupt Masked 1b: Interrupt Unmasked
0	M_I2C_ERROR	RW	1	I2C Interface Error Interrupt Mask 0b: Interrupt Masked 1b: Interrupt Unmasked

Table 23. STD_OUT_CFG

Address: 18h

Reset Value: 0x40

Type: Read/Write

Bit #	Name	R/W/C	Size (Bits)	Standard Outputs Configuration
7	TRI_STATE	R/W	1	0b: Standard Output Control 1b: Force all outputs to tri-state
6	Reserved	R/W	1	Reserved: 0b
5	Reserved	R	1	Reserved: 0b
4	Reserved	R	1	Reserved: 0b
3:2	MUX_CTRL	R/W	2	Controls MUX_S0 and MUX_S1 Outputs. 00b: MUX_S0 = 0, MUX_S1 = 0. No connection. 01b: MUX_S0 = 1, MUX_S1 = 0. <i>USB3.1 Connected</i> 10b: MUX_S0 = 0, MUX_S1 = 1. <i>DP Alternate Mode – 4 lanes</i> 11b: MUX_S0 = 1, MUX_S1 = 1. <i>USB3.1 + Display Port Lanes 0 & 1</i>
1	Reserved	R	1	Reserved: 0b
0	ORIENT	R/W	1	Controls ORIENT Output 0b: Normal (CC1 = A5, CC2 = B5, TX1 = A2/A3, RX1 = B10/B11) 1b: Flipped (CC2 = A5, CC1 = B5, TX1 = B2/B3, RX1 = A10/A11)

FUSB308B

Table 24. TCPC_CTRL

Address: 19h

Reset Value: 0x00 (POR, and SW_RST)

Type: Read/Write

Bit #	Name	R/W/C	Size (Bits)	TCPC Control Register
7:4	Reserved	R	2	Reserved: 00b
5	EN_WATCHDOG	R/W	1	0b: Watchdog Monitoring is disabled (default) 1b: Watchdog Monitoring is enabled
4	Reserved	R/W	1	Reserved: 0b
3:2	I2C_CLK_STRETCH	R	2	00b: I2C clock stretching is disabled. Writing to these register bits will be ignored.
1	BIST_TMODE	R/W	1	BIST Test Data Receive Enable 0b: Normal Operation. Incoming messages are stored and passed to host 1b: BIST Test Mode. Receive buffer is cleared immediately after GoodCRC response.
0	ORIENT	R/W	1	Plug Orientation 0b: When Vconn is enabled, apply it to the CC2 pin. Monitor the CC1 pin for BMC communications if PD messaging is enabled. 1b: When Vconn is enabled, apply it to the CC1 pin. Monitor the CC2 pin for BMC communications if PD messaging is enabled.

Table 25. ROLECTRL

Address: 1Ah

Reset Value (Note 19) 0x0F for FUSB308 without VDD and 0x05 with VDD

Type: Read/Write

Bit #	Name	R/W/C	Size (Bits)	Role Control Description
7	Reserved	R	1	Reserved: 0b
6	DRP (Note 19, 20)	R/W	1	0b: No DRP. Bits B3..0 determine Rp/Rd/Ra settings 1b: DRP
5:4	RP_VAL	R/W	2	00b: Rp default 01b: Rp 1.5 A 10b: Rp 3.0 A 11b: Reserved
3:2	CC2_TERM (Note 21, 22)	R/W	2	00b: Ra 01b: Rp (Use Rp definition in B5..4) 10b: Rd 11b: Open (Disconnect or don't care)
1:0	CC1_TERM (Note 21, 22)	R/W	2	00b: Ra 01b: Rp (Use Rp definition in B5..4) 10b: Rd 11b: Open (Disconnect or don't care)

18. Reset values are loaded on either VBUS or VDD power up.

19. Rp value is defined in B5..4 when performing the DRP toggling as well as when a connection is resolved.

20. The FUSB308B toggles CC1 & CC2 after receiving a.LOOK4CON and until a connection is detected. Upon connection, the FUSB308B resolves to either an Rp or Rd and report the CC1/CC2 State in the CCSTAT register. The FUSB308B will continue to present the resolved Rd or Rp regardless of any changes voltage on the CC wires.

21. When CCx_TERM bits are set to Open and DRP = 0, the PHY and CC comparators will power down.

22. If DRP = 1, .LOOK4CON starts toggling with the value set in CC1_TERM/CC2_TERM. If CC1_TERM/CC2_TERM is different than Rp/Rp or Rd/Rd, the COMMAND will be ignored.

FUSB308B

Table 26. FAULTCTRL

Address: 1Bh

Reset Value: 0x00

Type: Read/Write

Bit #	Name	R/W/C	Size (Bits)	Fault Control Description
7:4	Reserved	R	4	Reserved: 0000b
3	DISCH_TIMER_DIS	R/W	1	Auto and Force VBUS Discharge Timer Enable 0b: VBUS Discharge timer is enabled 1b: VBUS Discharge timer is disabled
2	Reserved	R	1	Reserved: 0b
1	Reserved	R	1	Reserved: 0b
0	VCONN_OCP_DIS	R/W	1	VCONN OCP Enable 0b: VCONN OCP Enabled 1b: VCONN OCP Disabled

Table 27. PWRCTRL

Address: 1Ch

Reset Value: 0x60

Type: Read/Write

Bit #	Name	R/W/C	Size (Bits)	Power Control Description
7	Reserved	R	1	Reserved: 0b
6	DIS_VBUS_MON (Note 23)	R/W	1	Controls VBUS_VOLTAGE_L Monitoring. 0b: VBUS Voltage Monitoring is enabled 1b: VBUS Voltage Monitoring is disabled
5	DIS_VALARM	R/W	1	Disables VALARMHCFGL and VALARMLCFGL 0b: Voltage Alarm reporting is enabled 1b: Voltage Alarm reporting is disabled
4	AUTO_DISCH (Notes 24, 26)	R/W	1	Auto Discharge on Disconnect 0b: Turn Off Automatically Discharge VBUS based on VBUS Voltage 1b: Turn On Automatically Discharge VBUS based on VBUS Voltage
3	EN_BLEED_DISCH (Note 28)	R/W	1	Enable Bleed Discharge 0b: Disable bleed discharge of VBUS 1b: Enable bleed discharge of VBUS
2	FORCE_DISCH (Note 25, 27)	R/W	1	Force Discharge 0b: Disable forced discharge of VBUS 1b: Enable forced discharge of VBUS
1	VCONN_PWR	R/W	1	VCONN Power Supported Writing this bit has no function. Please use VCONN_OCP to set OCP values
0	EN_VCONN	R/W	1	Enable VCONN 0b: Disable VCONN Source (default) 1b: Enable VCONN Source to CC

23. If VBUS_MON is disabled, VBUS_VOLTAGE_L and VBUS_VOLTAGE_H reports all zeroes.

24. Setting this bit in a Source FUSB308B triggers the following actions upon disconnection detection:

1. Disable sourcing power over Vbus
2. VBUS discharge

25. Sourcing power over Vbus shall be disabled before or at same time as starting VBUS discharge.

26. Setting this bit in a Sink FUSB308B triggers the following action upon disconnection detection:

1. VBUS discharge

27. The FUSB308B will automatically disable discharge once the voltage on VBUS is below vSafe0V (max.).

28. Bleed Discharge is a low current discharge to provide a minimum load current if needed.

FUSB308B

Table 28. CCSTAT

Address: 1Dh

Reset Value: 0x00

Type: Read

Bit #	Name	R/W/C	Size (Bits)	CC Status Description (Note 29)
7:6	Reserved	R	2	Reserved: 00b
5	LOOK4CON	R	1	0b: the FUSB308B is not looking for connection or indicated a potential connection has been found when transitioned from a 1 to 0 1b: the FUSB308B looking for connection
4	CON_RES	R	1	0b: the FUSB308B is presenting Rp 1b: the FUSB308B is presenting Rd This bit is only valid if the FUSB308B was a DRP and has stopped DRP toggling
3:2	CC2_STAT	R	2	If (ROLE_CONTROL.CC2 = Rp) or (CON_RES = 0) 00b: SRC.Open (Open, Rp) 01b: SRC.Ra (below maximum vRa) 10b: SRC.Rd (within the vRd range) 11b: reserved If (ROLE_CONTROL.CC2 = Rd) or (CON_RES = 1) 00b: SNK.Open (Below maximum vRa) 01b: SNK.Default (Above minimum vRd-Connect) 10b: SNK.Power1.5 (Above minimum vRd-Connect) Detects Rp 1.5 A 11b: SNK.Power3.0 (Above minimum vRd-Connect) Detects Rp 3.0 A If ROLE_CONTROL.CC2 = Ra, this field is set to 00b If ROLE_CONTROL.CC2 = Open, this field is set to 00b This field always returns 00b if (LOOK4CON = 1) or (PWRCTRL.EN_VCONN = 1 and TPCP_CONTROL.PlugOrientation = 0). Otherwise, the returned value depends upon ROLE_CONTROL.CC2.
1:0	CC1_STAT	R	2	If (ROLE_CONTROL.CC1 = Rp) or (CON_RES = 0) 00b: SRC.Open (Open, Rp) 01b: SRC.Ra (below maximum vRa) 10b: SRC.Rd (within the vRd range) 11b: reserved If (ROLE_CONTROL.CC1 = Rd) or CON_RES = 1) 00b: SNK.Open (Below maximum vRa) 01b: SNK.Default (Above minimum vRd-Connect) 10b: SNK.Power1.5 (Above minimum vRd-Connect) Detects Rp-1.5 A 11b: SNK.Power3.0 (Above minimum vRd-Connect) Detects Rp-3.0 A If ROLE_CONTROL.CC1 = Ra, this field is set to 00b If ROLE_CONTROL.CC1 = Open, this field is set to 00b This field always returns 00b if (LOOK4CON = 1) or (PWRCTRL.EN_VCONN = 1 and TPCP_CONTROL.PlugOrientation = 0). Otherwise, the returned value depends upon ROLE_CONTROL.CC1.

29. An event change on this register cause an ALERTL.I_CCSTAT Interrupt.

FUSB308B

Table 29. PWRSTAT

Address: 1Eh

Reset Value: 08h

Type: Read

Bit #	Name	R/W/C	Size (Bits)	Power Status Description (Note 30)
7	DEBUG_ACC	R	1	Debug Accessory Attached 0b: No Debug Accessory Connected 1b: Debug Accessory Connected Reflects the state of the DEBUG_ACC Output if present
6	TCPC_INIT	R	1	FUSB308B Initialization Status 0b: The FUSB308B has completed initialization and all registers are valid 1b: The FUSB308B is still performing internal initialization. Registers 00–0Fh are valid
5	SOURCE_HV	R	1	Sourcing High Voltage. See Transition Flow Charts for details. 0b: vsafe5V 1b: High Voltage
4	SOURCE_VBUS	R	1	Sourcing VBUS. Output SRC asserted. 0b: Sourcing VBUS is disabled 1b: Sourcing VBUS is enabled
3	VBUS_VAL_EN	R	1	VBUS_VAL (below) Detection Circuit Status 0b: VBUS_VAL Detection is Disabled 1b: VBUS_VAL Detection is Enabled
2	VBUS_VAL	R	1	VBUS Present 0b: Vbus disconnected (below 3.5 V) 1b: VBUS connected (Above 4.0 V)
1	VCONN_VAL	R	1	VCONN Present 0b: VCONN is not present or PWRCTRL.EN_VCONN is disabled 1b: This bit is asserted when VCONN is present on CC1 or CC2 Threshold is fixed at 2.4 V
0	SNKVBUS	R	1	Sink VBUS. Output SNK asserted. 0b: Sink is disconnected or not supported

30. An event change on this register cause an ALERTL.I_PWRSTAT Interrupt.

Table 30. FAULTSTAT

Address: 1Fh

Reset Value: 0x80

Type: Read/Write 1 to Clear

Bit #	Name	R/W/C	Size (Bits)	Fault Status Interrupt Description (Note 32)
7	ALL_REGS_RESET (Note 31)	R/WC	1	0b: No reset occurred 1b: POR or unexpected power reset occurred This bit is asserted when the TCPC resets all registers to their default value. This happens at initial power up or if an unexpected power reset occurs
6	Reserved	R	1	Reserved: 0b
5	AUTO_DISCH_FAIL	R/WC	1	0b: No Discharge Failure 1b: VBUS Discharge Failed Asserts when PWRCTRL.AUTO_DISCH is set and FUSB308B fails to discharge VBUS to vSafe5V (max.) within tSafe5V or vSafe0V(max.) within tSafe0V from disconnection is detected.

FUSB308B

Table 30. FAULTSTAT (continued)

Address: 1Fh

Reset Value: 0x80

Type: Read/Write 1 to Clear

Bit #	Name	R/W/C	Size (Bits)	Fault Status Interrupt Description (Note 32)
4	FORCE_DISCH_FAIL	R/WC	1	<p>0b: No Discharge Failure 1b: VBUS Discharge Failed Asserts when PWRCTRL.FORCE_DISCH is set and one of the following occurs: If VBUS_STOP_DISCH <= vSafe0V(max.) we fail to discharge VBUS to vSafe0V (max.) within tSafe0V from the time FORCE_DISCH is set. If VBUS_STOP_DISCH > vSafe0V(max.) we fail to discharge VBUS to VBUS_STOP_DISCH within tSrcSettle from the time FORCE_DISCH is set.</p>
3	Reserved	R	1	Reserved: 0b
2	Reserved	R	1	Reserved: 0b
1	VCONN_OCP	R/WC	1	<p>0b: No VCONN Over-Current Detected 1b: Over current on VCONN Latched. See VCONN_ Registers to set VCONN OCP levels.</p>
0	I2C_ERROR	R/WC	1	<p>0b: No Error 1b: I2C Error has occurred Asserts when: or SINK_TRANSMIT has been sent with TRANSMIT_BUFFER empty (TXBYTECNT < 2). COMMAND.DisableVbusDetect is issued while sinking or sourcing VBUS.COMMAND.SinkVbus is issued while sourcing VBUS.COMMAND.SourceVbusDefaultVoltage is issued while sinking VBUS COMMAND.SourceVbusHighVoltage is issued when device is not already sourcing 5 V, is sinking, or is not capable of sourcing high voltage. Connect_Invalid State is reached.</p>

31.VBUS_V_BIT[9:0] is the measured VBUS voltage divided by VBUS_SCALE factor.

32. Fault Status are latched and cleared when a 1 is written to the corresponding bit.

33.ALL_REGS_RESET do not get set on SW_RST

Table 31. COMMAND

Address: 23h

Reset Value: 0x00

Type: Read/Write (Auto-Clear)

Bit #	Name	R/W/C	Size (Bits)	Register Settings	COMMAND Description
7:0	Command	R/W	8	0001 0001b	Wakel2C (no action is taken other than to wake the I2C interface)
				0010 0010b	DisableVbusDetect. Disable Vbus present detection: PWRSTAT.VBUS_VAL. The FUSB308B will ignore this command and assert the FAULTSTAT.I2C_ERR if it has sourcing or sinking power over Vbus enabled
				0011 0011b	EnableVbusDetect. Enable Vbus present detection
				0100 0100b	DisableSinkVbus. Disable sinking power over Vbus. This COMMAND does not disable PWRSTAT.VBUS_VAL detection
				0101 0101b	SinkVbus. Enable sinking power over Vbus and enable Vbus present detection. The FUSB308B will ignore this command and assert the FAULTSTAT.I2C_ERR if it has sourcing power over Vbus enabled

FUSB308B

Table 31. COMMAND (continued)

Address: 23h

Reset Value: 0x00

Type: Read/Write (Auto-Clear)

Bit #	Name	R/W/C	Size (Bits)	Register Settings	COMMAND Description
				0110 0110b	DisableSourceVbus. Disable sourcing power over Vbus. This COMMAND does not disable PWRSTAT.VBUS_VAL detection
				0111 0111b	SourceVbusDefaultVoltage. Enable sourcing vSafe5V over Vbus and enable Vbus present detection. Source shall transition to vSafe5V if at a high voltage. The FUSB308B will ignore this command and assert the FAULTSTAT.I2C_ERR if it has sinking power over Vbus enabled
				1000 1000b	SourceVbusHighVoltage. Execute sourcing high voltage over Vbus. FUSB308B will ignore this command and assert the FAULTSTAT.I2C_ERR
				1001 1001b	LOOK4CON. Start DRP Toggling if ROLECTRL.DRP = 1b. If ROLECTRL.CC1/CC2 = 01b start with Rp, if ROLECTRL.CC1/CC2 = 10b start with Rd. If ROLE_CONTROL.CC1/CC2 are not either 01b/01b or 10b/10b, then do not start toggling. The TCPM shall issue . COMMAND.LOK4CON to enable the device to restart Connection Detection in cases where the ROLECTRL contents will not change. An example of this is when a potential connection as a Source occurred but was further debounced by the TCPM to find the Sink disconnected. In this case a Source Only or DRP should go back to its Unattached.Src state. This would result in ROLECTRL staying the same
				1010 1010b	RxOneMore. Configure the receiver to automatically clear the RXDETECT register after sending the next GoodCRC. This is used to shutdown reception of packets at a known point regardless of packet separation or the depth of the receive FIFO in the device
				1100 1100b 1101 1101b 1110 1110b	Reserved. No Action
				1111 1111b	I2CIdle, Enter I2C Idle

Table 32. DEVCAP1L

Address: 24h

Reset Value: FUSB308B: DBh

Type: Read

Bit #	Name	R/W/C	Size (Bits)	Device Capabilities 1 L Description
7:5	ROLES_SUPPORT	R	3	Roles Supported: 000b: Type-C Port Manager can configure the Port as Source only or Sink only (not DRP) 001b: Source only 010b: Sink only 011b: Sink with accessory support 100b: DRP Only 101b: Source, Sink, DRP, Adapter/Cable all supported 110b: Source, Sink, DRP 110..111b: Not valid
4	SOP_SUPPORT	R	1	0b: All SOP* except SOP'_DBG/SOP''_DBG 1b: All SOP* messages are supported

FUSB308B

Table 32. DEVCAP1L (continued)

Address: 24h

Reset Value: FUSB308B: DBh

Type: Read

Bit #	Name	R/W/C	Size (Bits)	Device Capabilities 1 L Description
3	SWITCH_VCONN	R	1	Supply VCONN: 0b: Not capable of switching VCONN 1b: Capable of switching VCONN Support for PWRSTAT.VCONN_VAL and PWRCTRL.EN_VCONN implemented
2	SNK_VBUS	R	1	Sink VBUS: 0b: Not Capable of controlling the sink path to the system load 1b: Capable of controlling the sink path to the system load Support for PWRSTAT.SNKVBUS and COMMAND.SinkVbus implemented
1	SRC_HV	R	1	Source Higher than vSafe5V on VBUS 0b: Not capable of controlling High Voltage Path on VBUS 1b: capable of controlling High Voltage Path on VBUS Support for PWRSTAT.SOURCE_HV and COMMAND.SourceVbusHighVoltage implemented
0	SRC_VBUS	R	1	Source vSafe5V on VBUS 0b: Not of controlling the source path to VBUS 1b: Capable of controlling the source path to VBUS Support for PWRSTAT.SOURCE_VBUS, COMMAND.SourceVbusDefaultVoltage, COMMAND.DisableSourceVbus, COMMAND.EnableVbusDetect, and COMMAND.DisableVbusDetect implemented

Table 33. DEVCAP1H

Address: 25h

Reset Value: 0x1E

Type: Read

Bit #	Name	R/W/C	Size (Bits)	Device Capabilities 1 H Description
7:5	Reserved	R	3	Reserved : 000b
4	BLEED_DIS	R	1	0b: No Bleed Discharge 1b: Bleed Discharge implement Support for PWRCTRL.EN_BLEED_DISCH implemented.
3	FORCE_DIS	R	1	0b: No Force Discharge 1b: Force Discharge implement Support for PWRCTRL.FORCE_DISCH, FAULTSTAT.FORCE_DISCH_FAIL, and VBUS_STOP_DISCL implemented
2	VBUS_MEAS_ALRM	R	1	0b: No Vbus voltage measurement or VBUS Alarms 1b: Vbus voltage measurement and VBUS Alarms Support for VBUS_VOLTAGE_L, VALARMHCFGL and VALARMLCFGL implemented
1:0	RP_SUPPORT	R	2	Source Power Supported: 00b: Rp default only 01b: Rp 1.5 A and default 10b: Rp 3.0A, 1.5 A and default 11b: Reserved

FUSB308B

Table 34. DEVCAP2L

Address: 26h

Reset Value: 0xD7

Type: Read

Bit #	Name	R/W/C	Size (Bits)	Device Capabilities 2 L Description
7	SNK_DISC_DETECT	R	1	0b: VBUS_SNK_DISCL not implemented 1b: VBUS_SNK_DISCL implemented
6	STOP_DSICH	R	1	0b: VBUS_STOP_DISCL not implemented 1b: VBUS_STOP_DISCL implemented
5:4	VBUS_ALARM_LSB	R	2	VBUS Voltage Alarm LSB Support 01b: Voltage Alarm Supports 50 mV LSB Bit 0 of VALARMHCFGL and VALARMLCFGL are ignored
3:1	VCONN_POWER_CAP	R	3	VCONN Power Supported 000b: 1.0 W 001b: 1.5 W 010b: 2.0 W 011b: 3 W (at VCONN = 5.5 V) 100b: 4 W 101b: W 110b: 6 W 111b: External
0	VCONN_FAULT_CAP	R	1	VCONN OCP Fault Capable 110b: FUSB308B is not capable of detecting a VCONN fault 1b: FUSB308B is capable of detecting a VCONN fault

Table 35. DEVCAP2H

Address: 27h

Reset Value: 0x01

Type: Read

Bit #	Name	R/W/C	Size (Bits)	Device Capabilities 2 H Description
7:1	Reserved	R	7	Reserved: 000_0000b
0	Watchdog Timer	R	1	1b: Watchdog Timer Implemented

Table 36. STD_OUT_CAP

Address: 29h

Reset Value: FUSB308B: 0x05

Type: Read

Bit #	Name	R/W/C	Size (Bits)	Standard Outputs Capabilities Description
7	Reserved	R	1	Reserved: 00b
6	DEBUG_ACC	R	1	0b: Debug Accessory Indicator Not Present 1b: Debug Accessory Indicator Present
5	VBUS_MON	R	1	0b: VBUS Present Monitor Not Present
4	AUDIO_ACC	R	1	0b: Audio Adapter Accessory Indicator Not Present
3	ACTIVE_CABLE	R	1	0b: Active Cable Indicator not Present
2	MUX_CTRL	R	1	0b: Mux Control Not Present 1b: Mux Control Present
1	CON_PRESENT	R	1	0b: Connection Present indicator not implemented
0	ORIENT	R	1	1b: Connector Orientation Present

FUSB308B

Table 37. MSGHEADR

Address: 2Eh

Reset Value: FUSB308B: 0x0B

Type: Read/Write

Bit #	Name	R/W/C	Size (Bits)	Message Header Info Description
7:5	Reserved	R	3	Reserved: 000b
4	CBL_PLUG	R/W	1	Cable Plug 0b: Message originated from Source, Sink, or DRP 1b: Message originated from a Cable Plug
3	DATA_ROLE	R/W	1	Data Role 0b: SINK 1b: SOURCE
2:1	USBPD_REV	R/W	2	USB-PD Specification Revision 00b: Revision 1.0 01b: Revision 2.0 10b – 11b: Reserved
0	POWER_ROLE	R/W	1	Power Role 0b: Sink 1b: Source

Table 38. RXDETECT

RXDETECT enables the types of messages and/or signaling to be detected. SOP* enabling also turns on auto-GoodCRC response. This register is reset when: A Hard Reset is received or sent; after the GoodCRC transmission due to RxOneMore; on a disconnect detection; SW_RST or POR.

Address: 2Fh

Reset Value: 0x00

Type: Read/Write

Bit #	Name	R/W/C	Size (Bits)	Receive Detect Description (Note 34)
7	Reserved	R	1	Reserved: 0b
6	EN_CABLE_RST	R	1	0b: Do not detect Cable Reset signaling
5	EN_HRD_RST	R/W	1	0b: Do not detect Hard Reset signaling (default) 1b: Detect Hard Reset signaling
4	EN_SOP2_DBG	R/W	1	0b: Do not detect SOP_DBG" message (default) 1b: Detect SOP_DBG" message
3	EN_SOP1_DBG	R/W	1	0b: Do not detect SOP_DBG' message (default) 1b: Detect SOP_DBG' message
2	EN_SOP2	R/W	1	0b: Do not detect SOP" message (default) 1b: Detect SOP" message
1	EN_SOP1	R/W	1	0b: Do not detect SOP' message (default) 1b: Detect SOP' message
0	EN_SOP	R/W	1	0b: Do not detect SOP message (default) 1b: Detect SOP message

34. Writing all 0s to this register disables PD.

Table 39. RXBYTECNT

Address: 30h

Reset Value: 0x00

Type: Read

Bit #	Name	R/W/C	Size (Bits)	Received Byte Count Description
7:0	RXBYTECNT	R	8	Number of Bytes Received. This is the number of bytes in RX-DATA plus 3 (RXSTAT and RXHEADL, H)

FUSB308B

Table 40. RXSTAT

This register indicates the status of the received SOP* message in RXHEADL, RXHEADH, and RXDATA registers.

Address: 31h

Reset Value: 0x00

Type: Read

Bit #	Name	R/W/C	Size (Bits)	Receive Status Description
7:3	Reserved	R	5	Reserved: 00000b
2:0	RXSOP	R	3	Received SOP 000b: Received SOP 001b: Received SOP' 010b: Received SOP'' 011b: Received SOP' DBG 100b: Received SOP'' DBG 110b: Received Cable Reset All others are reserved.

Table 41. RXHEADL

Received Header Low byte is stored here. Expected GoodCRC messages are not stored.

Address: 32h

Reset Value: 0x00

Type: Read

Bit #	Name	R/W/C	Size (Bits)	Receive Header Low Description
7:0	RXHEADL	R	8	Rx Header Data Low

Table 42. RXHEADH

Received Header High byte is stored here. Expected GoodCRC messages are not stored.

Address: 33h

Reset Value: 0x00

Type: Read

Bit #	Name	R/W/C	Size (Bits)	Receive Header High Description
7:0	RXHEADH	R	8	Rx Header Data High

Table 43. RXDATA

Address: 34h–4Fh

Reset Value: 0x00

Type: Read

Bit #	Name	R/W/C	Size (Bits)	Receive Payload Description
27:0	RXDATA0..27	R	8	Rx Payload

Table 44. TRANSMIT

Writing this register will start a PD transmission. If Cable Reset, Hard Reset or BIST Carrier Mode 2 is written, RETRY_CNT is ignored and signaling is not retried.

Address: 50h

Reset Value: 0x00

Type: Read/Write

Bit #	Name	R/W/C	Size (Bits)	Transmit Description
7:6	Reserved	R	2	Reserved: 00b
5:4	RETRY_CNT	R/W	2	Retry Counter 00b: No message retry is required 01b: Automatically retry message transmission once 10b: Automatically retry message transmission twice 11b: Automatically retry message transmission three times

FUSB308B

Table 44. TRANSMIT (continued)

Writing this register will start a PD transmission. If Cable Reset, Hard Reset or BIST Carrier Mode 2 is written, RETRY_CNT is ignored and signaling is not retried.

Address: 50h

Reset Value: 0x00

Type: Read/Write

Bit #	Name	R/W/C	Size (Bits)	Transmit Description
3	Reserved	R	1	Reserved: 0b
2:0	TXSOP	R/W	3	Transmit SOP Message 000b: Transmit SOP 001b: Transmit SOP' 010b: Transmit SOP" 011b: Transmit SOP_DBG' 100b: Transmit SOP_DBG" 101b: Transmit Hard Reset 110b: Transmit Cable Reset 111b: Transmit BIST Carrier Mode 2 (Enabled for <i>tBISTContMode</i>)

Table 45. TXBYTECNT

Address: 51h

Reset Value: 0x00

Type: Read/Write

Bit #	Name	R/W/C	Size (Bits)	Transmit Byte Count Description
7:0	TXBYTECNT	R/W	8	Number of bytes to be transmitted

Table 46. TXHEADL

Address: 52h

Reset Value: 0x00

Type: Read/Write

Bit #	Name	R/W/C	Size (Bits)	Transmit Header Low Description
7:0	TXHEADL	R/W	8	Transmit Header Low

Table 47. TXHEADH

Address: 53h

Reset Value: 0x00

Type: Read/Write

Bit #	Name	R/W/C	Size (Bits)	Transmit Header High Description
7:0	TXHEADH	R/W	8	Transmit Header High

Table 48. TXDATA

Addresses: 54–6Fh

Reset Value: 0x00

Type: Read/Write

Bit #	Name	R/W/C	Size (Bits)	Transmit Payload Description
27:0	TXDATA0..27	R/W	8	Payload to be transmitted

FUSB308B

Table 49. VBUS_VOLTAGE_L

Address: 70h

Reset Value: 0x00

Type: Read

Bit #	Name	R/W/C	Size (Bits)	VBUS Voltage Low Description
Byte 27:0	TX_Data27..0	RW	8	TX Payload

Table 50. VBUS_VOLTAGE_H

Address: 71h

Reset Value: 0x00

Type: Read

Bit #	Name	R/W/C	Size (Bits)	VBUS Voltage High Description (Note 35)
7:4	Reserved	R	4	Reserved: 0000b
3:2	VBUS_SCALE	R	2	00b: VBUS Measurement not scaled 01b: VBUS Measurement divided by 2 10b: VBUS Measurement divided by 4 11b: Reserved
1	VBUS_V_BIT9	R	1	Bit 9 of VBUS Measurement
0	VBUS_V_BIT8	R	1	Bit 8 of VBUS Measurement

35. VBUS_V_BIT[9:0] is the measured VBUS voltage divided by VBUS_SCALE factor.

Table 51. VBUS_SNK_DISCL

Address: 72h

Reset Value: 0xA0 (< vSafe5V: 4.0 V)

Type: Read/Write

Bit #	Name	R/W/C	Size (Bits)	VBUS SINK Disconnect Threshold Low (Note 36)
7:0	VBUS_SNK_DISC	R/W	8	Bits 7:0 of Sink Disconnect threshold

36. Accuracy is set for 50 mV LSB and Bit 0 is ignored.

Table 52. VBUS_SNK_DISCH

Address: 73h

Reset Value: 0x00

Type: Read/Write

Bit #	Name	R/W/C	Size (Bits)	VBUS SINK Disconnect Threshold High
7:2	Reserved	R	6	Reserved: 000000b
1:0	VBUS_SNK_DISC	R/W	2	Bits 9:8 of Sink Disconnect threshold

Table 53. VBUS_STOP_DISCL

Address: 74h

Reset Value: 0x1C (< vSafe0V: 700 mV)

Type: Read/Write

Bit #	Name	R/W/C	Size (Bits)	VBUS Stop Discharge Threshold Low (Note 37)
7:0	VBUS_VTH_LO	R/W	8	Bits 7:0 of Stop Discharge threshold

37. Accuracy is set for 50 mV LSB and Bit 0 is ignored.

FUSB308B

Table 54. VBUS_STOP_DISCH

Address: 75h

Reset Value: 0x00

Type: Read/Write

Bit #	Name	R/W/C	Size (Bits)	VBUS Stop Discharge Threshold High
7:2	Reserved	R	6	Reserved: 000000b
1:0	VBUS_VTH_LO	R/W	2	Bits 9:8 of Stop Discharge threshold

Table 55. VALARMHCFGL

Address: 76h

Reset Value: 0x00

Type: Read/Write

Bit #	Name	R/W/C	Size (Bits)	Voltage Alarm High Trip Point Configuration Low Description (Note 38)
7:0	VBUS_VTH_HI	R/W	8	Bits 7:0 of High trip point alarm

38. Accuracy is set for 50 mV LSB and Bit 0 is ignored.

Table 56. VALARMHCFGH

Address: 77h

Reset Value: 0x00

Type: Read/Write

Bit #	Name	R/W/C	Size (Bits)	Voltage Alarm High Trip Point Configuration High Description
7:2	Reserved	R	6	Reserved: 000000b
1:0	VBUS_VTH_HI	R/W	2	Bits 9:8 of High trip point alarm

Table 57. VALARMLCFGL

Address: 78h

Reset Value: 0x00

Type: Read/Write

Bit #	Name	R/W/C	Size (Bits)	Voltage Alarm Low Trip Point Configuration Low Description (Note 39)
7:0	VBUS_VTH_LO	R/W	8	Bits 7:0 of Low trip point alarm

39. Accuracy is set for 50 mV LSB and Bit 0 is ignored.

Table 58. VALARMLCFGH

Address: 79h

Reset Value: 0x00

Type: Read/Write

Bit #	Name	R/W/C	Size (Bits)	Voltage Alarm Low Trip Point Configuration High Description
7:2	Reserved	R	6	Reserved: 000000b
1:0	VBUS_VTH_LO	R/W	2	Bits 9:8 of Low trip point alarm

FUSB308B

Table 59. VCONN_OCP

Address: A0h

Reset Value: 0x0F

Type: Read/Write

Bit #	Name	R/W/C	Size (Bits)	VCONN Current Limit Description (Note 40)
7:4		R	4	Reserved: 0b
3	OCP_RANGE	R/W	1	0b: OCP Range between 10 mA – 80 mA (max_range = 80 mA) 1b: OCP Range between 100 mA – 800 mA (max_range = 800 mA)
2:0	OCP_CUR	R/W	3	000b: max_range/8 001b: 2 × max_range/8 010b: 3 × max_range/8 011b: 4 × max_range/8 100b: 5 × max_range/8 101b: 6 × max_range/8 110b: 7 × max_range/8 111b: max_range (see OCP_RANGE definition above)

40. Only used if VCONN_OCP Register PWRCTRL.EN_VCONN is set to 1.

Table 60. RESET

Address: A2h

Reset Value: 0x00

Type: Read/Write (Self Clearing)

Bit #	Name	R/W/C	Size (Bits)	Reset Description
7:2	Reserved	R	6	Reserved:000000b
1	PD_RST	R/W	1	0b: No Action 1b: Reset PD-PHY and PD-FSMs
0	SW_RST	R/W	1	0b: No Action 1b: Reset all registers to default

Table 61. GPIO1_CFG

Address: A4h

Reset Value: 0x00

Type: Read/Write

Bit #	Name	R/W/C	Size (Bits)	General Purpose I/O 1 Configuration
7:3	Reserved	R	5	Reserved:00000b
2	GPO1_VAL	R/W	1	If GPO1_EN = 1 0b: Set output = 0 1b: Set output = 1 if GPO1_EN = 1
1	GPI1_EN	R/W	1	0b: Input buffer disabled 1b: Input Buffer enabled (Input state can be read in GPIO_STAT Register)
0	GPO1_EN	R/W	1	0b: GPO is High-Z 1b: GPO is enabled

Table 62. GPIO2_CFG

Address: A5h

Reset Value: 0x00

Type: Read/Write

Bit #	Name	R/W/C	Size (Bits)	General Purpose I/O 2 Configuration
7:4	Reserved	R	4	Reserved:0000b
3	Reserved	R/W	1	Reserved: 0b

FUSB308B

Table 62. GPIO2_CFG (continued)

Address: A5h

Reset Value: 0x00

Type: Read/Write

Bit #	Name	R/W/C	Size (Bits)	General Purpose I/O 2 Configuration
2	GPO2_VAL	R/W	1	Generic GPIO Function If GPO2_EN=1 & FR_SWAP_FN = 0 0b: Set output = 0 1b: Set output = 1
1	GPI2_EN	R/W	1	Generic GPIO Function If FR_SWAP_FN = 0 0b: Input buffer disabled 1b: Input Buffer enabled (Input state can be read in GPIO_STAT Register)
0	GPO2_EN	R/W	1	0b: GPO is High-Z 1b: GPO is enabled

Table 63. GPIO_STAT

Address: A6h

Reset Value: 0x00

Type: Read

Bit #	Name	R/W/C	Size (Bits)	General Purpose I/O Input Status
7:2	Reserved	R	6	Reserved: 000000b
1	GPI2_VAL	R	1	If GPI2_EN 0b: GPIO2 Input is Low 1b: GPIO2 Input is High
0	GPI1_VAL	R	1	If GPI2_EN 0b: GPIO1 Input is Low 1b: GPIO1 Input is High

Table 64. DRPTOGGLE

Address: A7h

Reset Value: 0x00

Type: Read/Write

Bit #	Name	R/W/C	Size (Bits)	DRP Toggle Timing
7:3	Reserved	R	6	Reserved: 00000b
1:0	DRPTOGGLE	R/W	2	00b: tToggleSrc = 15 ms to 30 ms; tToggleSnk = 35 ms to 70 ms 01b: tToggleSrc = 20 ms to 40 ms; tToggleSnk = 30 ms to 60 ms 10b: tToggleSrc = 25 ms to 50 ms; tToggleSnk = 25 ms to 50 ms 11b: tToggleSrc = 30 ms to 60 ms; tToggleSnk = 20 ms to 40 ms

Table 65. SRC_FRSWAP

Address: B1h

Reset Value: 0x00

Type: Read/Write

Bit #	Name	R/W/C	Size (Bits)	Source Fast Role Swap
7:0	Reserved	R	4	Reserved: 0x00

FUSB308B

Table 66. SNK_FRSWAP

Address: B2h

Reset Value: 0x00

Type: Read/Write (Auto-Clear on detect)

Bit #	Name	R/W/C	Size (Bits)	Sink Fast Role Swap
7:0	Reserved	R	8	Reserved:0000000b

Table 67. ALERT_VD

Address: B3h

Reset Value: 0x00

Type: Read/Write 1 to clear

Bit #	Name	R/W/C	Size (Bits)	Vendor Defined Alert
7	Reserved	R	1	Reserved: 0b
6	I_DISCH_SUCC	R/W/C	1	0b: No Interrupt 1b: Auto Discharge or Force Discharge Successful
5	I_GPI2	R/W/C	1	0b: No Interrupt 1b: Input GPI2 change occurred
4	I_GPI1	R/W/C	1	0b: No Interrupt 1b: Input GPI1 change occurred
3	I_VDD_DTCT	R/W/C	1	0b: No Interrupt 1b: VDD detection change occurred (read VD_STAT)
2	I_OTP	R/W/C	1	0b: No Interrupt 1b: OTP condition occurred
1	I_SWAP_TX	R/W/C	1	0b: No Interrupt 1b: Fast role Swap sent due to GPIO input set low
0	I_SWAP_RX	R/W/C	1	0b: No Interrupt 1b: Fast Role Swap request received

Table 68. ALERT_VD_MSK

Address: B4h

Reset Value: 0x7F

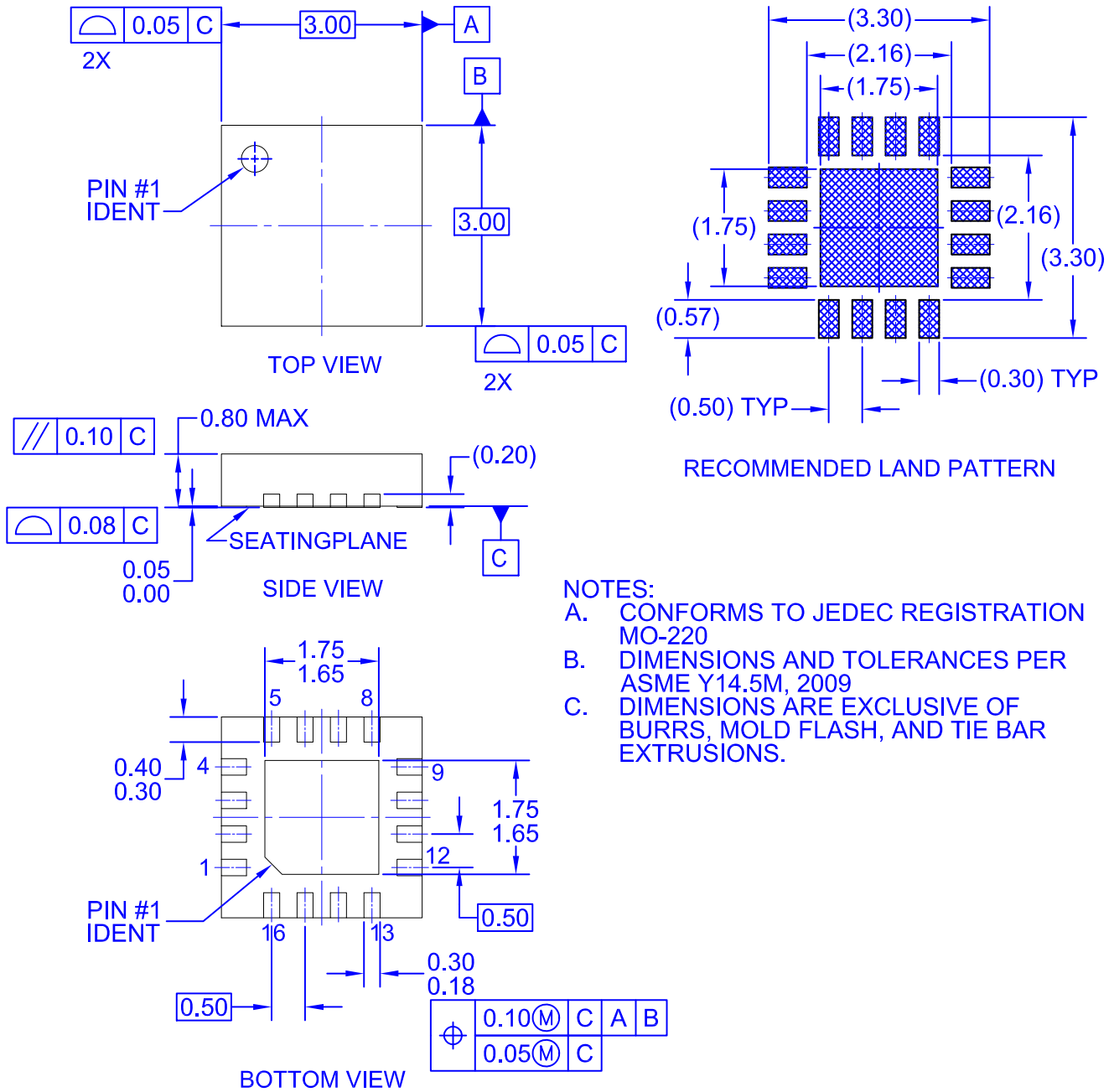
Type: Read/Write

Bit #	Name	R/W/C	Size (Bits)	Vendor Defined Alert Masks
7	Reserved	R	1	Reserved:0b
6	M_DISCH_SUCC	R/W	1	0b: Interrupt masked 1b: Interrupt unmasked
5	M_GPI2	R/W	1	0b: Interrupt masked 1b: Interrupt unmasked
4	M_GPI1	R/W	1	0b: Interrupt masked 1b: Interrupt unmasked
3	M_VDD_DTCT	R/W	1	0b: Interrupt masked 1b: Interrupt unmasked
2	M_OTP	R/W	1	0b: Interrupt masked 1b: Interrupt unmasked
1	Reserved	R/W	1	0b: Interrupt masked 1b: Interrupt unmasked
0	Reserved	R/W	1	0b: Interrupt masked 1b: Interrupt unmasked

FUSB308B


PACKAGE DIMENSIONS

WQFN16 3 x 3, 0.5P
CASE 510BS
ISSUE O



NOTES:

- A. CONFORMS TO JEDEC REGISTRATION MO-220
- B. DIMENSIONS AND TOLERANCES PER ASME Y14.5M, 2009
- C. DIMENSIONS ARE EXCLUSIVE OF BURRS, MOLD FLASH, AND TIE BAR EXTRUSIONS.

ON Semiconductor and  are trademarks of Semiconductor Components Industries, LLC dba ON Semiconductor or its subsidiaries in the United States and/or other countries. ON Semiconductor owns the rights to a number of patents, trademarks, copyrights, trade secrets, and other intellectual property. A listing of ON Semiconductor's product/patent coverage may be accessed at www.onsemi.com/site/pdf/Patent-Marking.pdf. ON Semiconductor reserves the right to make changes without further notice to any products herein. ON Semiconductor makes no warranty, representation or guarantee regarding the suitability of its products for any particular purpose, nor does ON Semiconductor assume any liability arising out of the application or use of any product or circuit, and specifically disclaims any and all liability, including without limitation special, consequential or incidental damages. Buyer is responsible for its products and applications using ON Semiconductor products, including compliance with all laws, regulations and safety requirements or standards, regardless of any support or applications information provided by ON Semiconductor. "Typical" parameters which may be provided in ON Semiconductor data sheets and/or specifications can and do vary in different applications and actual performance may vary over time. All operating parameters, including "Typicals" must be validated for each customer application by customer's technical experts. ON Semiconductor does not convey any license under its patent rights nor the rights of others. ON Semiconductor products are not designed, intended, or authorized for use as a critical component in life support systems or any FDA Class 3 medical devices or medical devices with a same or similar classification in a foreign jurisdiction or any devices intended for implantation in the human body. Should Buyer purchase or use ON Semiconductor products for any such unintended or unauthorized application, Buyer shall indemnify and hold ON Semiconductor and its officers, employees, subsidiaries, affiliates, and distributors harmless against all claims, costs, damages, and expenses, and reasonable attorney fees arising out of, directly or indirectly, any claim of personal injury or death associated with such unintended or unauthorized use, even if such claim alleges that ON Semiconductor was negligent regarding the design or manufacture of the part. ON Semiconductor is an Equal Opportunity/Affirmative Action Employer. This literature is subject to all applicable copyright laws and is not for resale in any manner.

PUBLICATION ORDERING INFORMATION

LITERATURE FULFILLMENT:

Literature Distribution Center for ON Semiconductor
19521 E. 32nd Pkwy, Aurora, Colorado 80011 USA
Phone: 303-675-2175 or 800-344-3860 Toll Free USA/Canada
Fax: 303-675-2176 or 800-344-3867 Toll Free USA/Canada
Email: orderlit@onsemi.com

N. American Technical Support: 800-282-9855 Toll Free
USA/Canada
Europe, Middle East and Africa Technical Support:
Phone: 421 33 790 2910

ON Semiconductor Website: www.onsemi.com

Order Literature: <http://www.onsemi.com/orderlit>

For additional information, please contact your local
Sales Representative

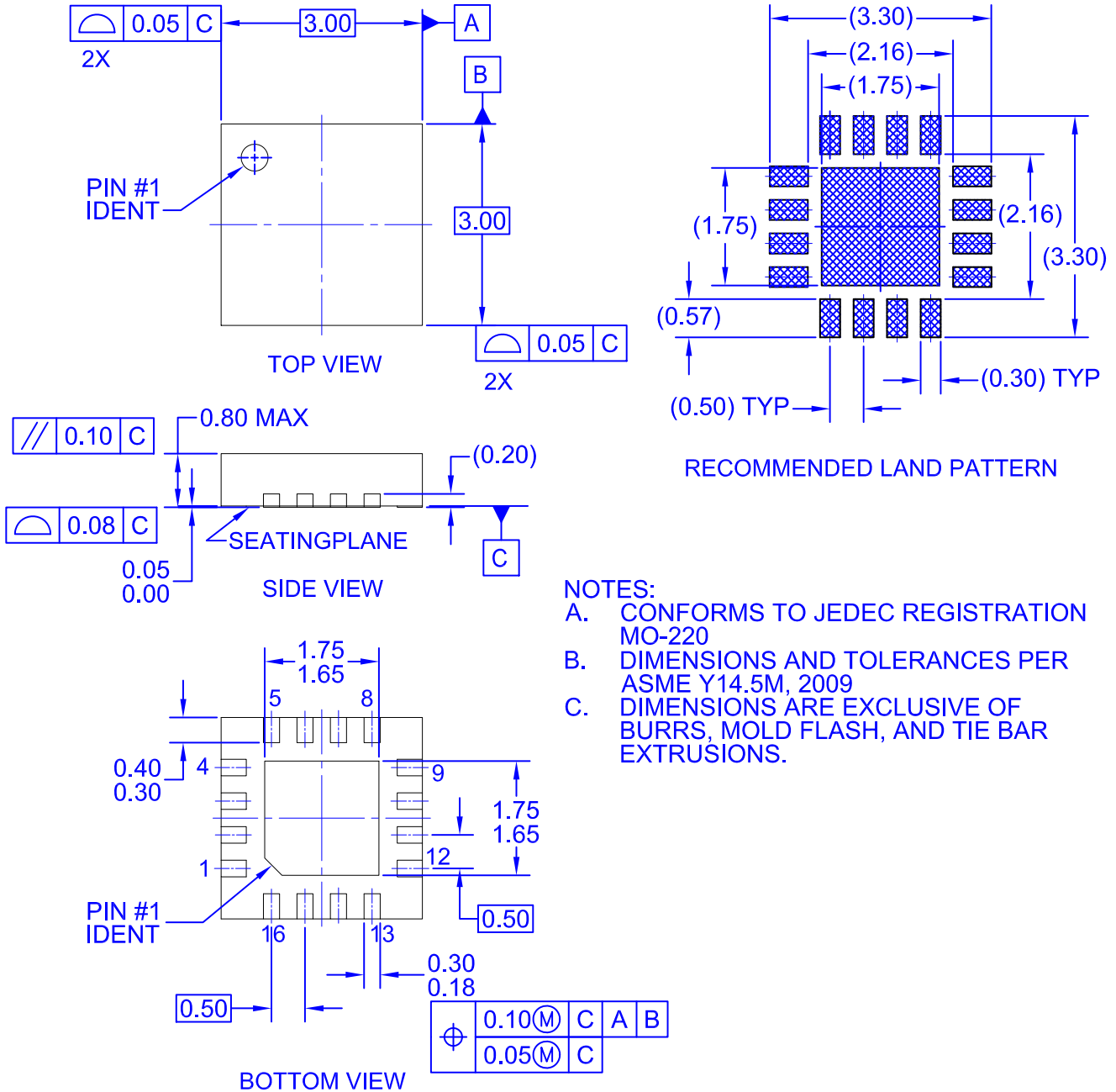
MECHANICAL CASE OUTLINE
PACKAGE DIMENSIONS

ON Semiconductor®



WQFN16 3x3, 0.5P
CASE 510BS
ISSUE O

DATE 31 AUG 2016



DOCUMENT NUMBER:	98AON13630G	Electronic versions are uncontrolled except when accessed directly from the Document Repository. Printed versions are uncontrolled except when stamped "CONTROLLED COPY" in red.
DESCRIPTION:	WQFN16 3X3, 0.5P	PAGE 1 OF 1

ON Semiconductor and are trademarks of Semiconductor Components Industries, LLC dba ON Semiconductor or its subsidiaries in the United States and/or other countries. ON Semiconductor reserves the right to make changes without further notice to any products herein. ON Semiconductor makes no warranty, representation or guarantee regarding the suitability of its products for any particular purpose, nor does ON Semiconductor assume any liability arising out of the application or use of any product or circuit, and specifically disclaims any and all liability, including without limitation special, consequential or incidental damages. ON Semiconductor does not convey any license under its patent rights nor the rights of others.

onsemi, **Onsemi**, and other names, marks, and brands are registered and/or common law trademarks of Semiconductor Components Industries, LLC dba "**onsemi**" or its affiliates and/or subsidiaries in the United States and/or other countries. **onsemi** owns the rights to a number of patents, trademarks, copyrights, trade secrets, and other intellectual property. A listing of **onsemi**'s product/patent coverage may be accessed at www.onsemi.com/site/pdf/Patent-Marking.pdf. **onsemi** reserves the right to make changes at any time to any products or information herein, without notice. The information herein is provided "as-is" and **onsemi** makes no warranty, representation or guarantee regarding the accuracy of the information, product features, availability, functionality, or suitability of its products for any particular purpose, nor does **onsemi** assume any liability arising out of the application or use of any product or circuit, and specifically disclaims any and all liability, including without limitation special, consequential or incidental damages. Buyer is responsible for its products and applications using **onsemi** products, including compliance with all laws, regulations and safety requirements or standards, regardless of any support or applications information provided by **onsemi**. "Typical" parameters which may be provided in **onsemi** data sheets and/or specifications can and do vary in different applications and actual performance may vary over time. All operating parameters, including "Typicals" must be validated for each customer application by customer's technical experts. **onsemi** does not convey any license under any of its intellectual property rights nor the rights of others. **onsemi** products are not designed, intended, or authorized for use as a critical component in life support systems or any FDA Class 3 medical devices or medical devices with a same or similar classification in a foreign jurisdiction or any devices intended for implantation in the human body. Should Buyer purchase or use **onsemi** products for any such unintended or unauthorized application, Buyer shall indemnify and hold **onsemi** and its officers, employees, subsidiaries, affiliates, and distributors harmless against all claims, costs, damages, and expenses, and reasonable attorney fees arising out of, directly or indirectly, any claim of personal injury or death associated with such unintended or unauthorized use, even if such claim alleges that **onsemi** was negligent regarding the design or manufacture of the part. **onsemi** is an Equal Opportunity/Affirmative Action Employer. This literature is subject to all applicable copyright laws and is not for resale in any manner.

PUBLICATION ORDERING INFORMATION

LITERATURE FULFILLMENT:

Email Requests to: orderlit@onsemi.com

onsemi Website: www.onsemi.com

TECHNICAL SUPPORT

North American Technical Support:

Voice Mail: 1 800-282-9855 Toll Free USA/Canada

Phone: 011 421 33 790 2910

Europe, Middle East and Africa Technical Support:

Phone: 00421 33 790 2910

For additional information, please contact your local Sales Representative