

500 mA, Very Low Dropout Bias Rail CMOS Voltage Regulator

NCP133

The NCP133 is a 500 mA VLDO equipped with NMOS pass transistor and a separate bias supply voltage (V_{BIAS}). The device provides very stable, accurate output voltage with low noise suitable for space constrained, noise sensitive applications. In order to optimize performance for battery operated portable applications, the NCP133 features low I_Q consumption. The XDFN6 1.2 mm x 1.2 mm package is optimized for use in space constrained applications.

Features

- Input Voltage Range: 0.8 V to 5.5 V
- Bias Voltage Range: 2.4 V to 5.5 V
- Adjustable and Fixed Voltage Versions Available
- Output Voltage Range: 0.8 V to 2.1 V (Fixed) and 0.8 V to 3.6 V (Adjustable)
- $\pm 1.5\%$ Accuracy over Temperature, $0.5\% V_{OUT}$ @ 25°C
- Ultra-Low Dropout: Typ. 140 mV at 500 mA
- Very Low Bias Input Current of Typ. 80 μA
- Very Low Bias Input Current in Disable Mode: Typ. 0.5 μA
- Logic Level Enable Input for ON/OFF Control
- Output Active Discharge Option Available
- Stable with a 2.2 μF Ceramic Capacitor
- Available in XDFN6 – 1.2 mm x 1.2 mm x 0.4 mm Package
- These Devices are Pb-Free, Halogen Free/BFR Free and are RoHS Compliant

Typical Applications

- Battery-powered Equipment
- Smartphones, Tablets
- Cameras, DVRs, STB and Camcorders

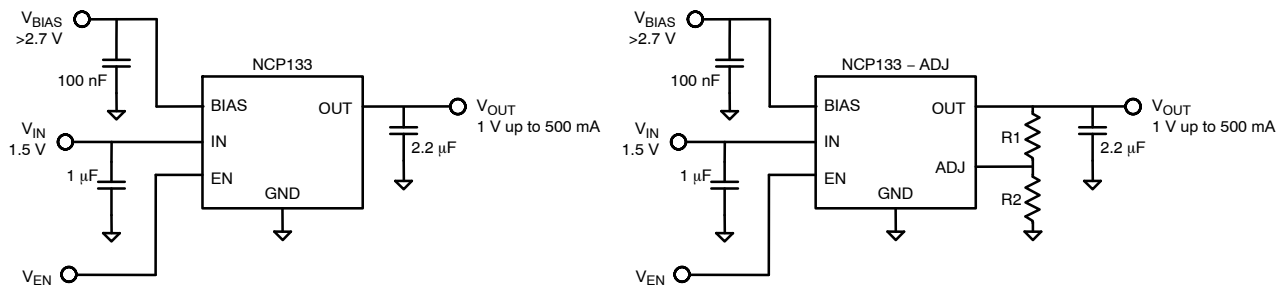


Figure 1. Typical Application Schematics



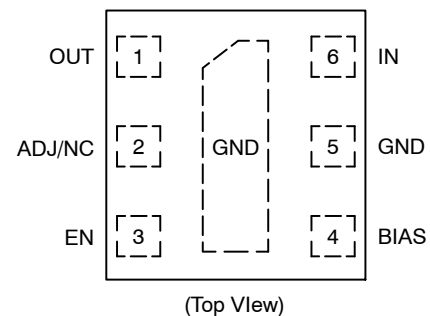
XDFN6
CASE 711AT

MARKING DIAGRAM



XX = Specific Device Code
M = Date Code

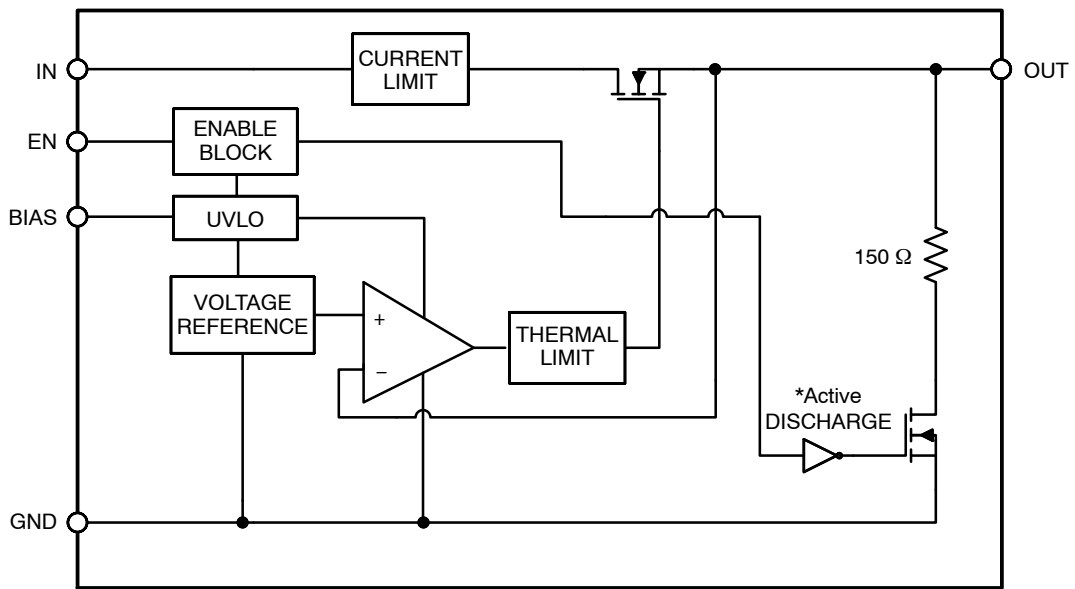
PIN CONNECTIONS



ORDERING INFORMATION

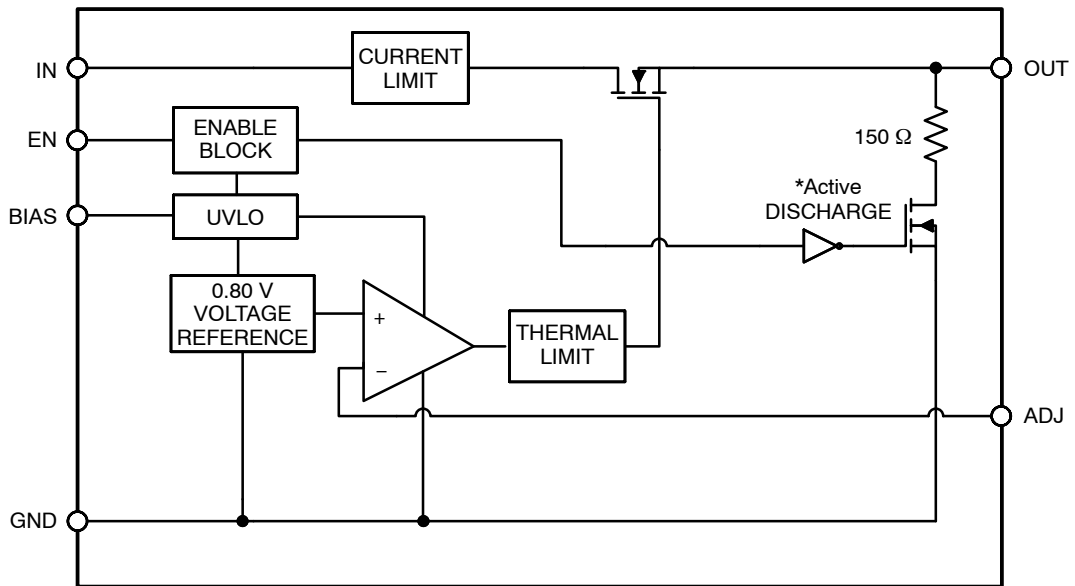
See detailed ordering and shipping information on page 9 of this data sheet.

NCP133



*Active output discharge function is present only in NCP133AMXyyyTCG devices.
yyy denotes the particular output voltage option.

Figure 2. Simplified Schematic Block Diagram – Fixed Version



*Active output discharge function is present only in NCP133AMXADJTTCG devices.

Figure 3. Simplified Schematic Block Diagram – Adjustable Version

NCP133

PIN FUNCTION DESCRIPTION

| Pin No. XDFN6 | Pin Name | Description |
|------------------|----------|--|
| 1 | OUT | Regulated Output Voltage pin |
| 2 (Fixed) | N/C | Not internally connected (Note 1) |
| 2 (Adj) | ADJ | Adjustable Regulator Feedback Input. Connect to output voltage resistor divider central node. |
| 3 | EN | Enable pin. Driving this pin high enables the regulator. Driving this pin low puts the regulator into shutdown mode. |
| 4 | BIAS | Bias voltage supply for internal control circuits. This pin is monitored by internal Under-Voltage Lockout Circuit. |
| 5 | GND | Ground |
| 6 | IN | Input Voltage Supply pin |
| Pad | | Should be soldered to the ground plane for increased thermal performance. |

1. True no connect. Printed circuit board traces are allowable

ABSOLUTE MAXIMUM RATINGS

| Rating | Symbol | Value | Unit |
|---|-----------------------------|-------------------------------|------|
| Input Voltage (Note 2) | V_{IN} | -0.3 to 6 | V |
| Output Voltage | V_{OUT} | -0.3 to $(V_{IN}+0.3) \leq 6$ | V |
| Chip Enable, Bias and Adj Input | $V_{EN}, V_{BIAS}, V_{ADJ}$ | -0.3 to 6 | V |
| Output Short Circuit Duration | t_{SC} | unlimited | s |
| Maximum Junction Temperature | T_J | 150 | °C |
| Storage Temperature | T_{STG} | -55 to 150 | °C |
| ESD Capability, Human Body Model (Note 3) | ESD_{HBM} | 2000 | V |
| ESD Capability, Machine Model (Note 3) | ESD_{MM} | 200 | V |

Stresses exceeding those listed in the Maximum Ratings table may damage the device. If any of these limits are exceeded, device functionality should not be assumed, damage may occur and reliability may be affected.

2. Refer to ELECTRICAL CHARACTERISTICS and APPLICATION INFORMATION for Safe Operating Area.

3. This device series incorporates ESD protection (except OUT pin) and is tested by the following methods:

ESD Human Body Model tested per EIA/JESD22-A114

ESD Machine Model tested per EIA/JESD22-A115

Latchup Current Maximum Rating tested per JEDEC standard: JESD78.

THERMAL CHARACTERISTICS

| Rating | Symbol | Value | Unit |
|---|-----------------|-------|------|
| Thermal Characteristics, XDFN6 1.2 mm x 1.2 mm Thermal Resistance, Junction-to-Air | $R_{\theta JA}$ | 170 | °C/W |

NCP133

ELECTRICAL CHARACTERISTICS $-40^{\circ}\text{C} \leq T_J \leq 85^{\circ}\text{C}$; $V_{\text{BIAS}} = 2.7\text{ V}$ or $(V_{\text{OUT}} + 1.6\text{ V})$, whichever is greater, $V_{\text{IN}} = V_{\text{OUT(NOM)}} + 0.3\text{ V}$, $I_{\text{OUT}} = 1\text{ mA}$, $V_{\text{EN}} = 1\text{ V}$, unless otherwise noted. $C_{\text{IN}} = 1\text{ }\mu\text{F}$, $C_{\text{OUT}} = 2.2\text{ }\mu\text{F}$. Typical values are at $T_J = +25^{\circ}\text{C}$. Min/Max values are for $-40^{\circ}\text{C} \leq T_J \leq 85^{\circ}\text{C}$ unless otherwise noted. (Note 5)

| Parameter | Test Conditions | Symbol | Min | Typ | Max | Unit |
|--|--|---------------------------|------------------------------------|----------------------------|------|--------------------|
| Operating Input Voltage Range | | V_{IN} | $V_{\text{OUT}} + V_{\text{DO}}$ | | 5.5 | V |
| Operating Bias Voltage Range | | V_{BIAS} | $(V_{\text{OUT}} + 1.40) \geq 2.4$ | | 5.5 | V |
| Undervoltage Lock-out | V_{BIAS} Rising Hysteresis | UVLO | | 1.6 0.2 | | V |
| Reference Voltage (Adj devices only) | $T_J = +25^{\circ}\text{C}$ | V_{REF} | | 0.800 | | V |
| Output Voltage Accuracy | (Note 4) | V_{OUT} | | ± 0.5 | | % |
| Output Voltage Accuracy (Note 4) | $-40^{\circ}\text{C} \leq T_J \leq 85^{\circ}\text{C}$, $V_{\text{OUT(NOM)}} + 0.3\text{ V} \leq V_{\text{IN}} \leq V_{\text{OUT(NOM)}} + 1.0\text{ V}$, 2.7 V or $(V_{\text{OUT(NOM)}} + 1.6\text{ V})$, whichever is greater $< V_{\text{BIAS}} < 5.5\text{ V}$, $1\text{ mA} < I_{\text{OUT}} < 500\text{ mA}$ | V_{OUT} | -1.5 | | +1.5 | % |
| V_{IN} Line Regulation | $V_{\text{OUT(NOM)}} + 0.3\text{ V} \leq V_{\text{IN}} \leq 5.0\text{ V}$ | LineReg | | 0.01 | | %/V |
| V_{BIAS} Line Regulation | 2.7 V or $(V_{\text{OUT(NOM)}} + 1.6\text{ V})$, whichever is greater $< V_{\text{BIAS}} < 5.5\text{ V}$ | LineReg | | 0.01 | | %/V |
| Load Regulation | $I_{\text{OUT}} = 1\text{ mA}$ to 500 mA | LoadReg | | 1.5 | | mV |
| V_{IN} Dropout Voltage | $I_{\text{OUT}} = 150\text{ mA}$ (Note 6) | V_{DO} | | 37 | 75 | mV |
| | $I_{\text{OUT}} = 500\text{ mA}$ (Note 6) | V_{DO} | | 140 | 250 | |
| V_{BIAS} Dropout Voltage | $I_{\text{OUT}} = 500\text{ mA}$, $V_{\text{IN}} = V_{\text{BIAS}}$ (Notes 6, 7) | V_{DO} | | 1.1 | 1.5 | V |
| Output Current Limit | $V_{\text{OUT}} = 90\% V_{\text{OUT(NOM)}}$ | I_{CL} | 550 | 800 | 1000 | mA |
| ADJ Pin Operating Current (ADJ devices only) | | I_{ADJ} | | 0.1 | 0.5 | μA |
| Bias Pin Operating Current | $V_{\text{BIAS}} = 2.7\text{ V}$ | I_{BIAS} | | 80 | 110 | μA |
| Bias Pin Disable Current | $V_{\text{EN}} \leq 0.4\text{ V}$ | $I_{\text{BIAS(DIS)}}$ | | 0.5 | 1 | μA |
| Vinpin Pin Disable Current | $V_{\text{EN}} \leq 0.4\text{ V}$ | $I_{\text{VIN(DIS)}}$ | | 0.5 | 1 | μA |
| EN Pin Threshold Voltage | EN Input Voltage "H" | $V_{\text{EN(H)}}$ | 0.9 | | | V |
| | EN Input Voltage "L" | $V_{\text{EN(L)}}$ | | | 0.4 | |
| EN Pull Down Current | $V_{\text{EN}} = 5.5\text{ V}$ | I_{EN} | | 0.3 | 1 | μA |
| Turn-On Time | From assertion of V_{EN} to $V_{\text{OUT}} = 98\% V_{\text{OUT(NOM)}}$. $V_{\text{OUT(NOM)}} = 1.0\text{ V}$ | t_{ON} | | 150 | | μs |
| Power Supply Rejection Ratio | V_{IN} to V_{OUT} , $f = 1\text{ kHz}$, $I_{\text{OUT}} = 150\text{ mA}$, $V_{\text{IN}} \geq V_{\text{OUT}} + 0.5\text{ V}$ | PSRR(V_{IN}) | | 70 | | dB |
| | V_{BIAS} to V_{OUT} , $f = 1\text{ kHz}$, $I_{\text{OUT}} = 150\text{ mA}$, $V_{\text{IN}} \geq V_{\text{OUT}} + 0.5\text{ V}$ | PSRR(V_{BIAS}) | | 80 | | |
| Output Noise Voltage (Fixed Volt.) | $V_{\text{IN}} = V_{\text{OUT}} + 0.5\text{ V}$, $V_{\text{OUT(NOM)}} = 1\text{ V}$, $f = 10\text{ Hz}$ to 100 kHz | V_{N} | | 40 | | μVRMS |
| Output Noise Voltage (Adj devices) | $V_{\text{IN}} = V_{\text{OUT}} + 0.5\text{ V}$, $f = 10\text{ Hz}$ to 100 kHz | V_{N} | | $50 \times V_{\text{OUT}}$ | | μVRMS |
| Thermal Shutdown Threshold | Temperature increasing | | | 160 | | $^{\circ}\text{C}$ |
| | Temperature decreasing | | | 140 | | |
| Output Discharge Pull-Down | $V_{\text{EN}} \leq 0.4\text{ V}$, $V_{\text{OUT}} = 0.5\text{ V}$, NCP133A options only | R_{DISCH} | | 150 | | Ω |

Product parametric performance is indicated in the Electrical Characteristics for the listed test conditions, unless otherwise noted. Product performance may not be indicated by the Electrical Characteristics if operated under different conditions.

4. Adjustable devices tested at 0.8 V; external resistor tolerance is not taken into account.

5. Performance guaranteed over the indicated operating temperature range by design and/or characterization. Production tested at $T_A = 25^{\circ}\text{C}$. Low duty cycle pulse techniques are used during the testing to maintain the junction temperature as close to ambient as possible.

6. Dropout voltage is characterized when V_{OUT} falls 3% below $V_{\text{OUT(NOM)}}$.

7. For output voltages below 0.9 V, V_{BIAS} dropout voltage does not apply due to a minimum Bias operating voltage of 2.4 V.

TYPICAL CHARACTERISTICS

AT $T_J = +25^\circ\text{C}$, $V_{IN} = V_{OUT(TYP)} + 0.3\text{ V}$, $V_{BIAS} = 2.7\text{ V}$, $V_{EN} = V_{BIAS}$, $V_{OUT(NOM)} = 1.0\text{ V}$, $I_{OUT} = 500\text{ mA}$, $C_{IN} = 1\text{ MF}$, $C_{BIAS} = 0.1\text{ MF}$, AND $C_{OUT} = 2.2\text{ MF}$ (EFFECTIVE CAPACITANCE), UNLESS OTHERWISE NOTED.

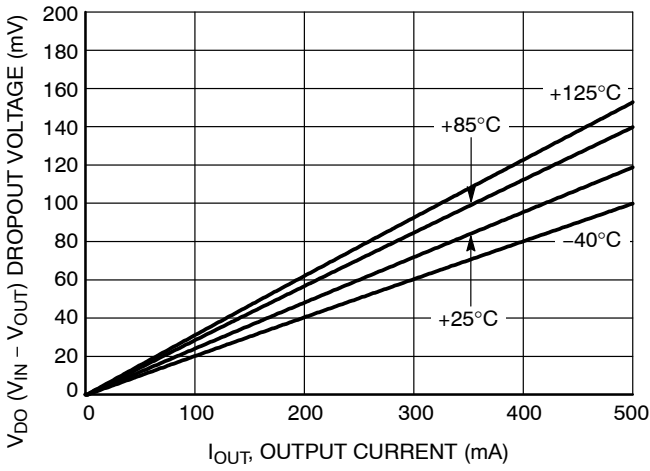


Figure 4. V_{IN} Dropout Voltage vs. I_{OUT} and Temperature T_J

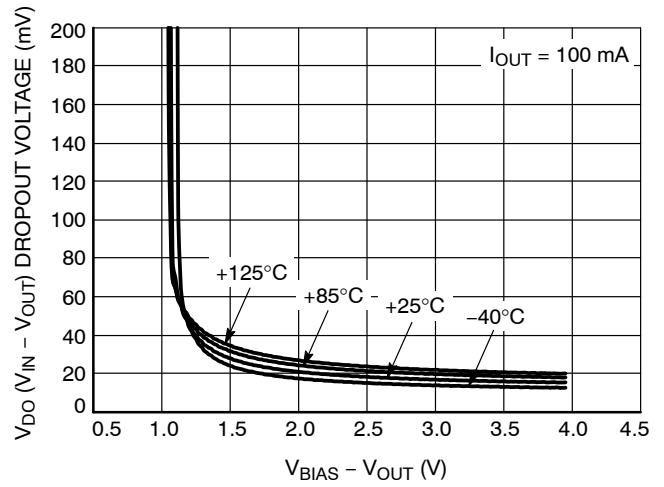


Figure 5. V_{IN} Dropout Voltage vs. $(V_{BIAS} - V_{OUT})$ and Temperature T_J

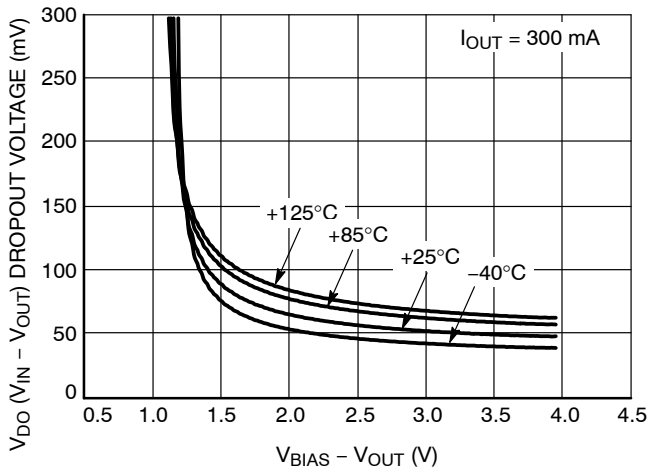


Figure 6. V_{IN} Dropout Voltage vs. $(V_{BIAS} - V_{OUT})$ and Temperature T_J

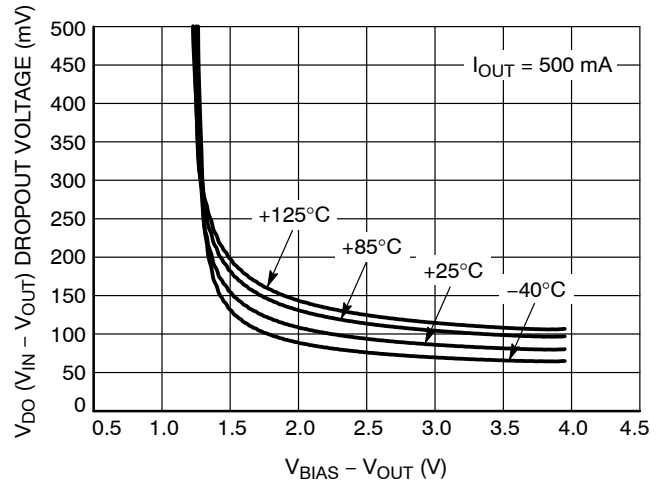


Figure 7. V_{IN} Dropout Voltage vs. $(V_{BIAS} - V_{OUT})$ and Temperature T_J

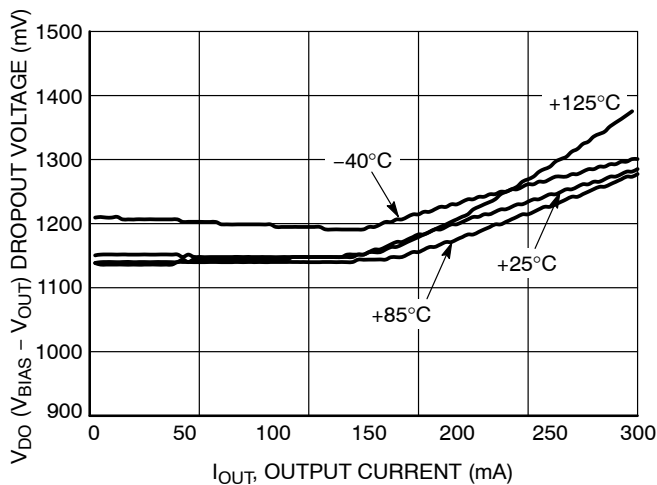


Figure 8. V_{BIAS} Dropout Voltage vs. I_{OUT} and Temperature T_J

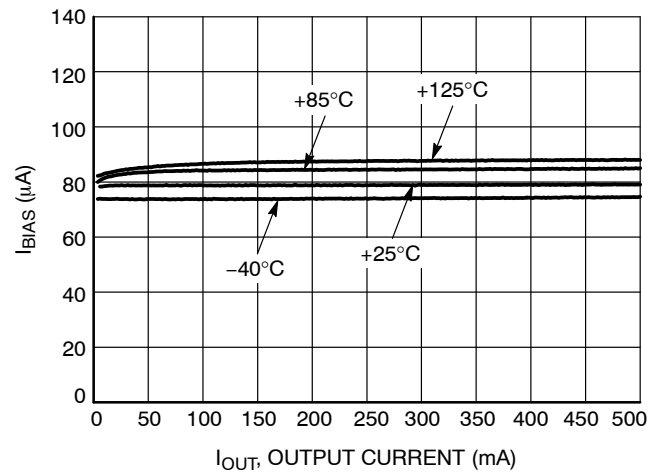


Figure 9. BIAS Pin Current vs. I_{OUT} and Temperature T_J

TYPICAL CHARACTERISTICS (continued)

AT $T_J = +25^\circ\text{C}$, $V_{IN} = V_{OUT(TYP)} + 0.3\text{ V}$, $V_{BIAS} = 2.7\text{ V}$, $V_{EN} = V_{BIAS}$, $V_{OUT(NOM)} = 1.0\text{ V}$, $I_{OUT} = 500\text{ MA}$,
 $C_{IN} = 1\text{ MF}$, $C_{BIAS} = 0.1\text{ MF}$, AND $C_{OUT} = 2.2\text{ MF}$ (EFFECTIVE CAPACITANCE), UNLESS OTHERWISE NOTED.

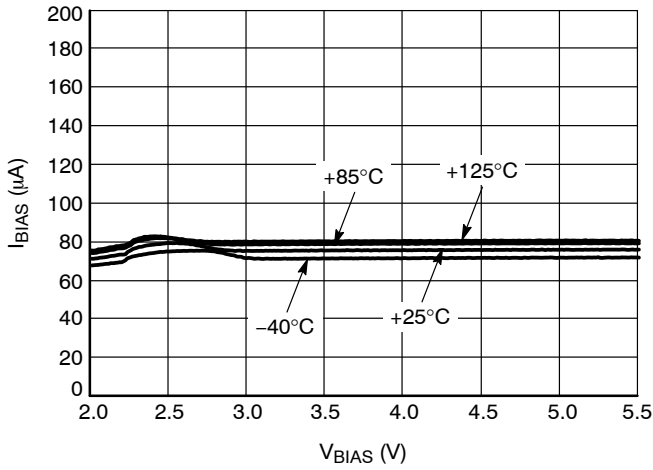


Figure 10. BIAS Pin Current vs. V_{BIAS} and Temperature T_J

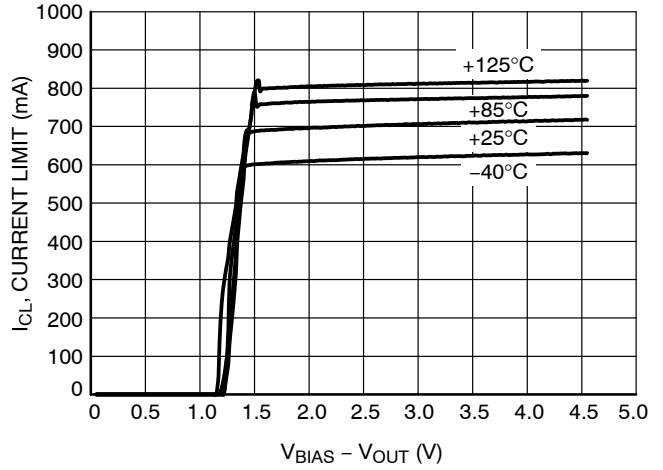


Figure 11. Current Limit vs. $(V_{BIAS} - V_{OUT})$

APPLICATIONS INFORMATION

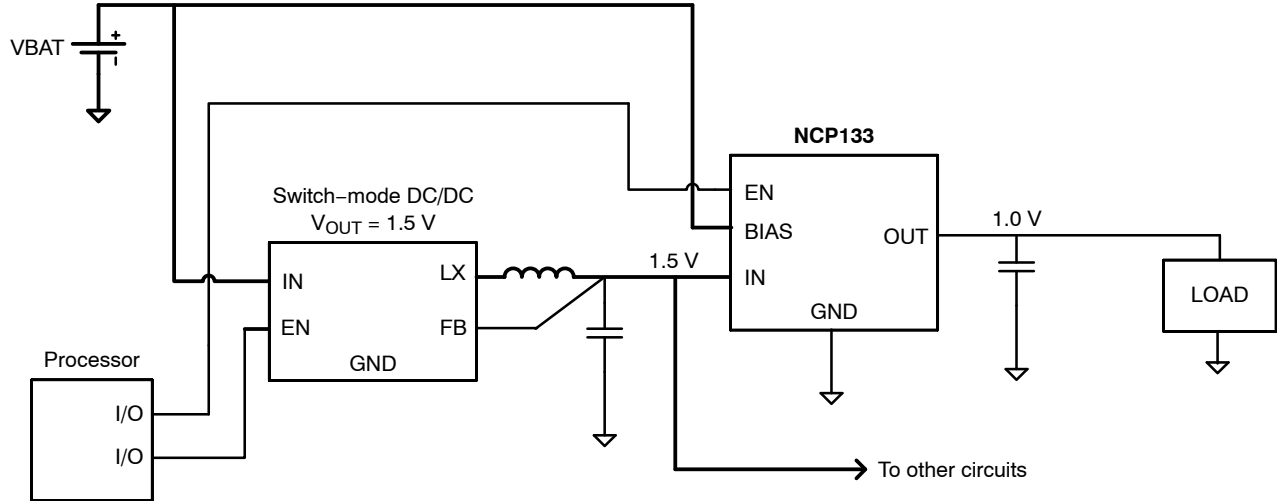


Figure 12. Typical Application: Low-Voltage DC/DC Post-Regulator with ON/OFF Functionality

The NCP133 dual-rail very low dropout voltage regulator is using NMOS pass transistor for output voltage regulation from V_{IN} voltage. All the low current internal control circuitry is powered from the V_{BIAS} voltage.

The use of an NMOS pass transistor offers several advantages in applications. Unlike PMOS topology devices, the output capacitor has reduced impact on loop stability. V_{in} to V_{out} operating voltage difference can be very low compared with standard PMOS regulators in very low V_{in} applications.

The NCP133 offers smooth monotonic start-up. The controlled voltage rising limits the inrush current.

The Enable (EN) input is equipped with internal hysteresis. NCP133 Voltage linear regulator Fixed and Adjustable version is available.

Output Voltage Adjust

The required output voltage of Adjustable devices can be adjusted from 0.8 V to 3.6 V using two external resistors.

Typical application schematics is shown in Figure 13.

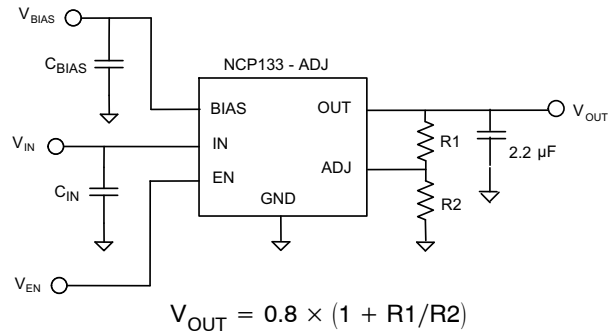


Figure 13. Typical Application Schematics

It is recommended to keep the total serial resistance of resistors ($R1 + R2$) no greater than 100 k Ω .

Recommended resistor values for programming the frequently used voltages can be found in the Table 1.

Dropout Voltage

Because of two power supply inputs V_{IN} and V_{BIAS} and one V_{OUT} regulator output, there are two Dropout voltages specified.

The first, the V_{IN} Dropout voltage is the voltage difference ($V_{IN} - V_{OUT}$) when V_{OUT} starts to decrease by percent specified in the Electrical Characteristics table. V_{BIAS} is high enough; specific value is published in the Electrical Characteristics table.

The second, V_{BIAS} dropout voltage is the voltage difference ($V_{BIAS} - V_{OUT}$) when V_{IN} and V_{BIAS} pins are joined together and V_{OUT} starts to decrease.

Input and Output Capacitors

The device is designed to be stable for ceramic output capacitors with Effective capacitance in the range from 2.2 μ F to 10 μ F. The device is also stable with multiple capacitors in parallel, having the total effective capacitance in the specified range.

In applications where no low input supplies impedance available (PCB inductance in V_{IN} and/or V_{BIAS} inputs as example), the recommended $C_{IN} = 1 \mu$ F and $C_{BIAS} = 0.1 \mu$ F or greater. Ceramic capacitors are recommended. For the best performance all the capacitors should be connected to the NCP133 respective pins directly in the device PCB copper layer, not through vias having not negligible impedance.

When using small ceramic capacitor, their capacitance is not constant but varies with applied DC biasing voltage, temperature and tolerance. The effective capacitance can be much lower than their nominal capacitance value, most importantly in negative temperatures and higher LDO output voltages. That is why the recommended Output capacitor capacitance value is specified as Effective value in the specific application conditions.

NCP133

Enable Operation

The enable pin will turn the regulator on or off. The threshold limits are covered in the electrical characteristics table in this data sheet. If the enable function is not to be used then the pin should be connected to V_{IN} or V_{BIAS} .

Current Limitation

The internal Current Limitation circuitry allows the device to supply the full nominal current and surges but protects the device against Current Overload or Short.

Thermal Protection

Internal thermal shutdown (TSD) circuitry is provided to protect the integrated circuit in the event that the maximum junction temperature is exceeded. When TSD activated, the regulator output turns off. When cooling down under the low temperature threshold, device output is activated again. This TSD feature is provided to prevent failures from accidental overheating.

Activation of the thermal protection circuit indicates excessive power dissipation or inadequate heatsinking. For reliable operation, junction temperature should be limited to +125°C maximum.

Table 1. RESISTOR VALUES FOR PROGRAMMING THE OUTPUT VOLTAGE

| V_{OUT} (V) | R_1 (k Ω) | R_2 (k Ω) |
|---------------|---------------------|---------------------|
| 0.8 | Short | Open |
| 0.9 | 10.0 | 80.6 |
| 1.0 | 19.6 | 78.7 |
| 1.05 | 24.3 | 78.7 |
| 1.1 | 24.9 | 66.5 |
| 1.2 | 33.2 | 66.5 |
| 1.5 | 43.2 | 49.9 |
| 1.8 | 41.2 | 33.2 |
| 2.5 | 42.2 | 20.0 |
| 3.3 | 61.9 | 20.0 |

NOTE: $V_{OUT} = 0.8 \times (1 + R_1/R_2)$
Resistors in the table are standard 1% types

NCP133

ORDERING INFORMATION

| Device | Nominal Output Voltage | Marking | Marking Rotation | Option | Package | Shipping† |
|-----------------|------------------------|---------|------------------|-------------------------|-----------------|-------------------------------------|
| NCP133AMX090TAG | 0.90 V | D | 90° | Output Active Discharge | XDFN6 (Pb-Free) | 3000 or 5000 / Tape & Reel (Note 8) |
| NCP133AMX090TCG | 0.90 V | D | 90° | Output Active Discharge | XDFN6 (Pb-Free) | 3000 or 5000 / Tape & Reel (Note 8) |
| NCP133AMX100TCG | 1.00 V | 3 | 0° | Output Active Discharge | XDFN6 (Pb-Free) | 3000 / Tape & Reel |
| NCP133AMX105TCG | 1.05 V | 4 | 0° | Output Active Discharge | XDFN6 (Pb-Free) | 3000 or 5000 / Tape & Reel (Note 8) |
| NCP133AMX110TCG | 1.10 V | 5 | 0° | Output Active Discharge | XDFN6 (Pb-Free) | 3000 / Tape & Reel |
| NCP133AMX115TCG | 1.15 V | T | 90° | Output Active Discharge | XDFN6 (Pb-Free) | 3000 or 5000 / Tape & Reel (Note 8) |
| NCP133AMX120TCG | 1.20 V | 6 | 0° | Output Active Discharge | XDFN6 (Pb-Free) | 3000 or 5000 / Tape & Reel (Note 8) |
| NCP133AMX125TCG | 1.25 V | E | 90° | Output Active Discharge | XDFN6 (Pb-Free) | 3000 or 5000 / Tape & Reel (Note 8) |
| NCP133AMX130TCG | 1.30 V | F | 90° | Output Active Discharge | XDFN6 (Pb-Free) | 3000 / Tape & Reel |
| NCP133AMX150TCG | 1.50 V | J | 90° | Output Active Discharge | XDFN6 (Pb-Free) | 3000 / Tape & Reel |
| NCP133AMX180TCG | 1.80 V | Q | 90° | Output Active Discharge | XDFN6 (Pb-Free) | 3000 / Tape & Reel |
| NCP133AMXADJTCG | ADJ | K | 90° | Output Active Discharge | XDFN6 (Pb-Free) | 3000 or 5000 / Tape & Reel (Note 8) |
| NCP133BMXADJTCG | ADJ | P | 90° | Non-Active Discharge | XDFN6 (Pb-Free) | 3000 / Tape & Reel |

†For information on tape and reel specifications, including part orientation and tape sizes, please refer to our Tape and Reel Packaging Specifications Brochure, [BRD8011/D](#).

To order other package and voltage variants, please contact your **onsemi** sales representative

8. Product processed after October 1, 2022 are shipped with quantity 5000 units / Tape & Reel.

MECHANICAL CASE OUTLINE

PACKAGE DIMENSIONS

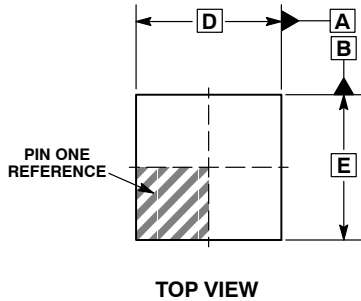
ON Semiconductor®



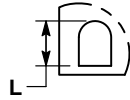
SCALE 4:1

XDFN6 1.20x1.20, 0.40P
CASE 711AT
ISSUE C

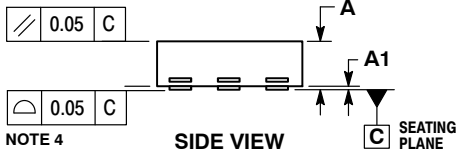
DATE 04 DEC 2015



TOP VIEW

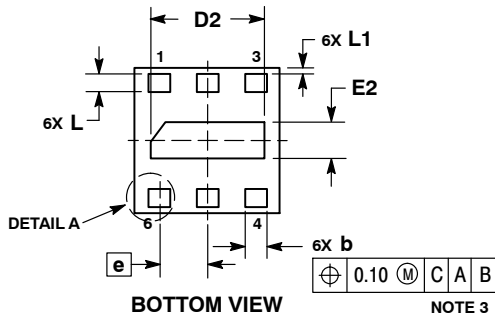


DETAIL A
OPTIONAL
CONSTRUCTION



SIDE VIEW

NOTE 4



BOTTOM VIEW

NOTE 3

NOTES:

1. DIMENSIONING AND TOLERANCING PER ASME Y14.5M, 1994.
2. CONTROLLING DIMENSION: MILLIMETERS.
3. DIMENSION b APPLIES TO THE PLATED TERMINALS.
4. COPLANARITY APPLIES TO THE PAD AS WELL AS THE TERMINALS.

| DIM | MILLIMETERS | | |
|-----|-------------|------|------|
| | MIN | TYP | MAX |
| A | 0.30 | 0.37 | 0.45 |
| A1 | 0.00 | 0.03 | 0.05 |
| b | 0.13 | 0.18 | 0.23 |
| D | 1.15 | 1.20 | 1.25 |
| D2 | 0.84 | 0.94 | 1.04 |
| E | 1.15 | 1.20 | 1.25 |
| E2 | 0.20 | 0.30 | 0.40 |
| e | 0.40 BSC | | |
| L | 0.15 | 0.20 | 0.25 |
| L1 | 0.00 | 0.05 | 0.10 |

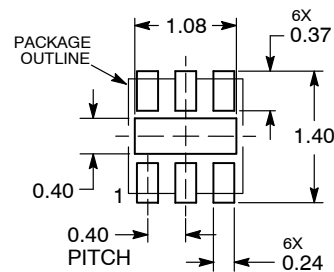
GENERIC
MARKING DIAGRAM*



XX = Specific Device Code
M = Date Code

*This information is generic. Please refer to device data sheet for actual part marking. Pb-Free indicator, "G" or microdot "▪", may or may not be present.

RECOMMENDED
MOUNTING FOOTPRINT*



DIMENSIONS: MILLIMETERS

*For additional information on our Pb-Free strategy and soldering details, please download the ON Semiconductor Soldering and Mounting Techniques Reference Manual, SOLDERRM/D.

| | | |
|------------------|---------------------------|--|
| DOCUMENT NUMBER: | 98AON76141F | Electronic versions are uncontrolled except when accessed directly from the Document Repository. Printed versions are uncontrolled except when stamped "CONTROLLED COPY" in red. |
| DESCRIPTION: | XDFN6, 1.20 X 1.20, 0.40P | PAGE 1 OF 1 |

ON Semiconductor and are trademarks of Semiconductor Components Industries, LLC dba ON Semiconductor or its subsidiaries in the United States and/or other countries. ON Semiconductor reserves the right to make changes without further notice to any products herein. ON Semiconductor makes no warranty, representation or guarantee regarding the suitability of its products for any particular purpose, nor does ON Semiconductor assume any liability arising out of the application or use of any product or circuit, and specifically disclaims any and all liability, including without limitation special, consequential or incidental damages. ON Semiconductor does not convey any license under its patent rights nor the rights of others.

onsemi, **Onsemi**, and other names, marks, and brands are registered and/or common law trademarks of Semiconductor Components Industries, LLC dba "**onsemi**" or its affiliates and/or subsidiaries in the United States and/or other countries. **onsemi** owns the rights to a number of patents, trademarks, copyrights, trade secrets, and other intellectual property. A listing of **onsemi**'s product/patent coverage may be accessed at www.onsemi.com/site/pdf/Patent-Marking.pdf. **onsemi** reserves the right to make changes at any time to any products or information herein, without notice. The information herein is provided "as-is" and **onsemi** makes no warranty, representation or guarantee regarding the accuracy of the information, product features, availability, functionality, or suitability of its products for any particular purpose, nor does **onsemi** assume any liability arising out of the application or use of any product or circuit, and specifically disclaims any and all liability, including without limitation special, consequential or incidental damages. Buyer is responsible for its products and applications using **onsemi** products, including compliance with all laws, regulations and safety requirements or standards, regardless of any support or applications information provided by **onsemi**. "Typical" parameters which may be provided in **onsemi** data sheets and/or specifications can and do vary in different applications and actual performance may vary over time. All operating parameters, including "Typicals" must be validated for each customer application by customer's technical experts. **onsemi** does not convey any license under any of its intellectual property rights nor the rights of others. **onsemi** products are not designed, intended, or authorized for use as a critical component in life support systems or any FDA Class 3 medical devices or medical devices with a same or similar classification in a foreign jurisdiction or any devices intended for implantation in the human body. Should Buyer purchase or use **onsemi** products for any such unintended or unauthorized application, Buyer shall indemnify and hold **onsemi** and its officers, employees, subsidiaries, affiliates, and distributors harmless against all claims, costs, damages, and expenses, and reasonable attorney fees arising out of, directly or indirectly, any claim of personal injury or death associated with such unintended or unauthorized use, even if such claim alleges that **onsemi** was negligent regarding the design or manufacture of the part. **onsemi** is an Equal Opportunity/Affirmative Action Employer. This literature is subject to all applicable copyright laws and is not for resale in any manner.

ADDITIONAL INFORMATION

TECHNICAL PUBLICATIONS:

Technical Library: www.onsemi.com/design/resources/technical-documentation
onsemi Website: www.onsemi.com

ONLINE SUPPORT: www.onsemi.com/support

For additional information, please contact your local Sales Representative at www.onsemi.com/support/sales