

# ON Semiconductor

## Is Now

# onsemi™

To learn more about onsemi™, please visit our website at  
[www.onsemi.com](http://www.onsemi.com)

---

**onsemi** and **onsemi** and other names, marks, and brands are registered and/or common law trademarks of Semiconductor Components Industries, LLC dba "**onsemi**" or its affiliates and/or subsidiaries in the United States and/or other countries. **onsemi** owns the rights to a number of patents, trademarks, copyrights, trade secrets, and other intellectual property. A listing of **onsemi** product/patent coverage may be accessed at [www.onsemi.com/site/pdf/Patent-Marking.pdf](http://www.onsemi.com/site/pdf/Patent-Marking.pdf). **onsemi** reserves the right to make changes at any time to any products or information herein, without notice. The information herein is provided "as-is" and **onsemi** makes no warranty, representation or guarantee regarding the accuracy of the information, product features, availability, functionality, or suitability of its products for any particular purpose, nor does **onsemi** assume any liability arising out of the application or use of any product or circuit, and specifically disclaims any and all liability, including without limitation special, consequential or incidental damages. Buyer is responsible for its products and applications using **onsemi** products, including compliance with all laws, regulations and safety requirements or standards, regardless of any support or applications information provided by **onsemi**. "Typical" parameters which may be provided in **onsemi** data sheets and/or specifications can and do vary in different applications and actual performance may vary over time. All operating parameters, including "Typicals" must be validated for each customer application by customer's technical experts. **onsemi** does not convey any license under any of its intellectual property rights nor the rights of others. **onsemi** products are not designed, intended, or authorized for use as a critical component in life support systems or any FDA Class 3 medical devices or medical devices with a same or similar classification in a foreign jurisdiction or any devices intended for implantation in the human body. Should Buyer purchase or use **onsemi** products for any such unintended or unauthorized application, Buyer shall indemnify and hold **onsemi** and its officers, employees, subsidiaries, affiliates, and distributors harmless against all claims, costs, damages, and expenses, and reasonable attorney fees arising out of, directly or indirectly, any claim of personal injury or death associated with such unintended or unauthorized use, even if such claim alleges that **onsemi** was negligent regarding the design or manufacture of the part. **onsemi** is an Equal Opportunity/Affirmative Action Employer. This literature is subject to all applicable copyright laws and is not for resale in any manner. Other names and brands may be claimed as the property of others.

# NCP4350

## Supervisory IC for Desktop Power Supply Monitoring

The NCP4350 provides all the necessary functions to monitor and control a multi-output power supply providing fault protection shutdown signals, and On/Off control. The NCP4350 provides the ability to monitor the status of the +5 Vdc, +12 Vdc (A and B outputs), and +3.3 Vdc output (voltage and current). The controller has built in delay to prevent tripping during transient conditions to eliminate false shutdowns.

OVP/UVLP (OverVoltage/UnderVoltage Protection) monitors 3.3 V, 5 V, and dual 12 V to protect the power supply, FPOB output goes high when one of these supply voltages exceed their limits.

OC (OverCurrent Protection) monitors 3.3 V, 5 V, and dual 12 V output current. Overcurrent limit is adjustable by I<sub>REF</sub> and current protection resistor.

The PGI (Power Good Input) and OTP (OverTemperature Protection) input pin provides the flexibility for design protection circuit.

The PGO (Power Good Output) signal gives personal computer notice when the output supplies are ready or power supply is going to shutdown or fail, therefore it can provide a reliable power supply environment.

### Features

- Individual Overvoltage and Undervoltage Monitoring for +3.3 V, +5 V, +12 VA, +12 VB Outputs and Lockout
- Individual Overcurrent Monitoring for +3.3 V, +5 V, +12 VA, +12 VB Outputs and Lockout
- Fault Output with 5 mA of Sink Capability
- Remote On/Off
- Power Good Output Signal with 5 mA of Sink Capability
- Built-in Delays for OVP, UVP, and Overload to avoid False Tripping
- Low Power Consumption 10 mW at V<sub>CC</sub> = 5 V Typical
- Overtemperature Input
- Wide Power Supply Range (4 V - 16 V)

### Typical Applications

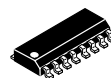
- ATX Computers



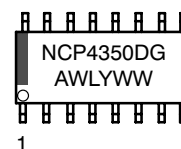
ON Semiconductor®

<http://onsemi.com>

### MARKING DIAGRAM

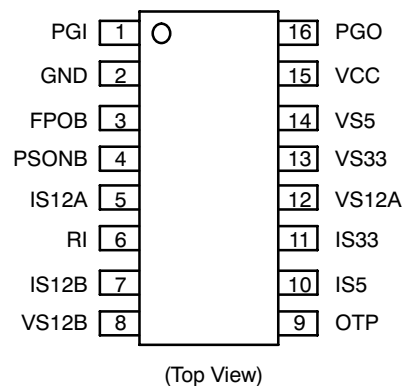


SOIC-16  
D SUFFIX  
CASE 751B



A = Assembly Location  
WL = Wafer Lot  
Y = Year  
WW = Work Week  
G = Pb-Free Device

### PIN CONNECTIONS



### ORDERING INFORMATION

Device	Package	Shipping <sup>†</sup>
NCP4350DR2G	SOIC-16 (Pb-Free)	3000/Tape & Reel

<sup>†</sup>For information on tape and reel specifications, including part orientation and tape sizes, please refer to our Tape and Reel Packaging Specifications Brochure, BRD8011/D.

# NCP4350

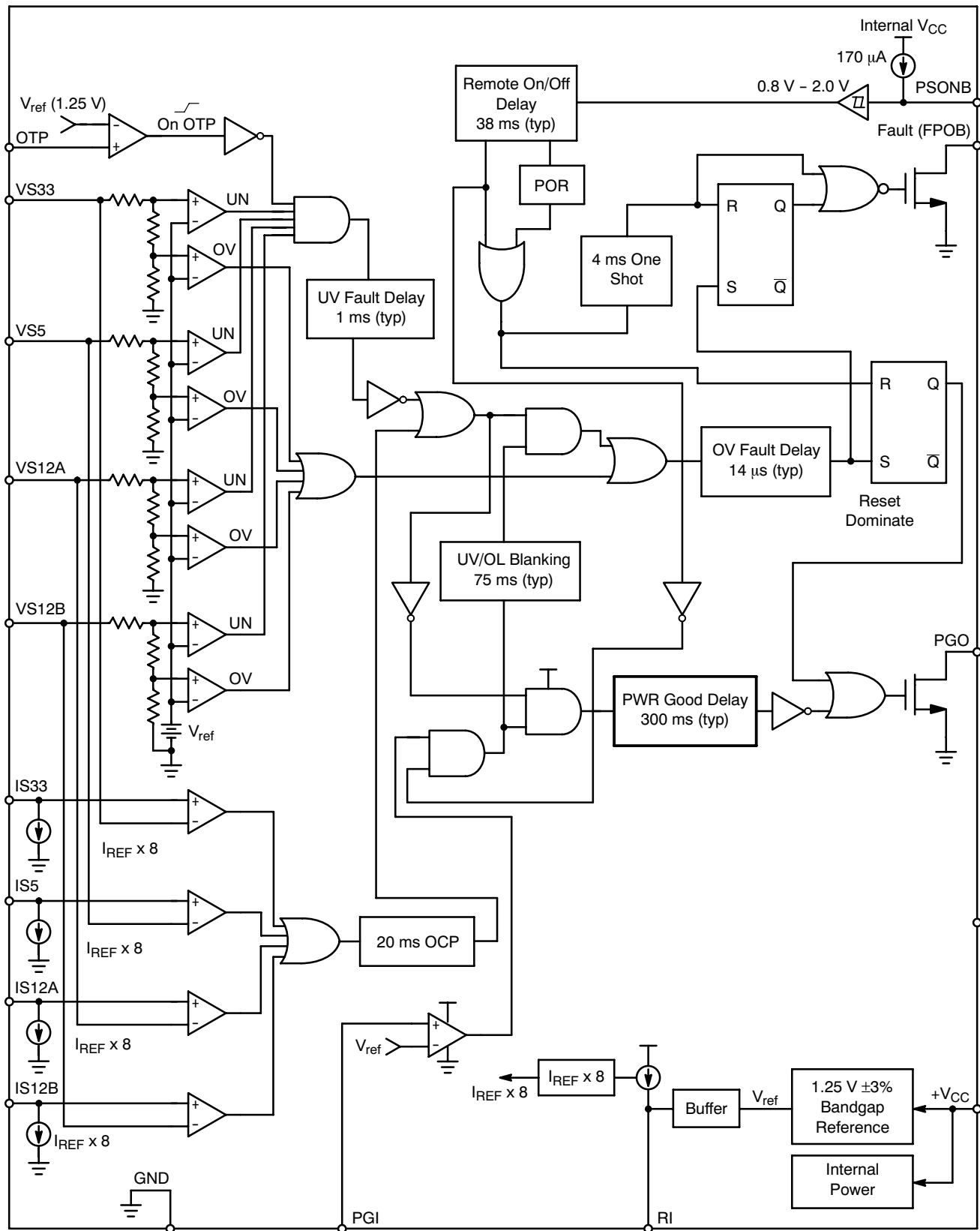


Figure 1. Detailed Block Diagram

# NCP4350

## PIN DESCRIPTION

Pin	Pin#	Description
PGI	1	The pin is used for a power good input signal.
GND	2	Ground
FPOB	3	This is an open drain output for Fault protection shutdown.
PSONB	4	This pin is used for a REMOTE on/off switch input and acts as a reset signal after a fault condition.
IS12A	5	This pin is an input to the +12 VA output current monitoring comparator.
RI	6	A resistor to ground sets the $I_{REF}$ current for overcurrent monitoring.
IS12B	7	This pin is an input to the +12 VB output current monitoring comparator.
VS12B	8	This pin is an input to the +12 VB output voltage monitoring comparator.
OTP	9	Overtemperature or external protection input.
IS5	10	This pin is an input to the +5 V output current monitoring comparator.
IS33	11	This pin is an input to the +3.3 V output current monitoring comparator.
VS12A	12	This pin is an input to the +12 VA output voltage monitoring comparator.
VS33	13	This pin is an input to the +3.3 V output voltage monitoring comparator.
VS5	14	This pin is an input to the +5 V output voltage monitoring comparator.
+V <sub>CC</sub>	15	This is the input pin for V <sub>CC</sub> .
PGO	16	This pin provides an open drain power good output signal.

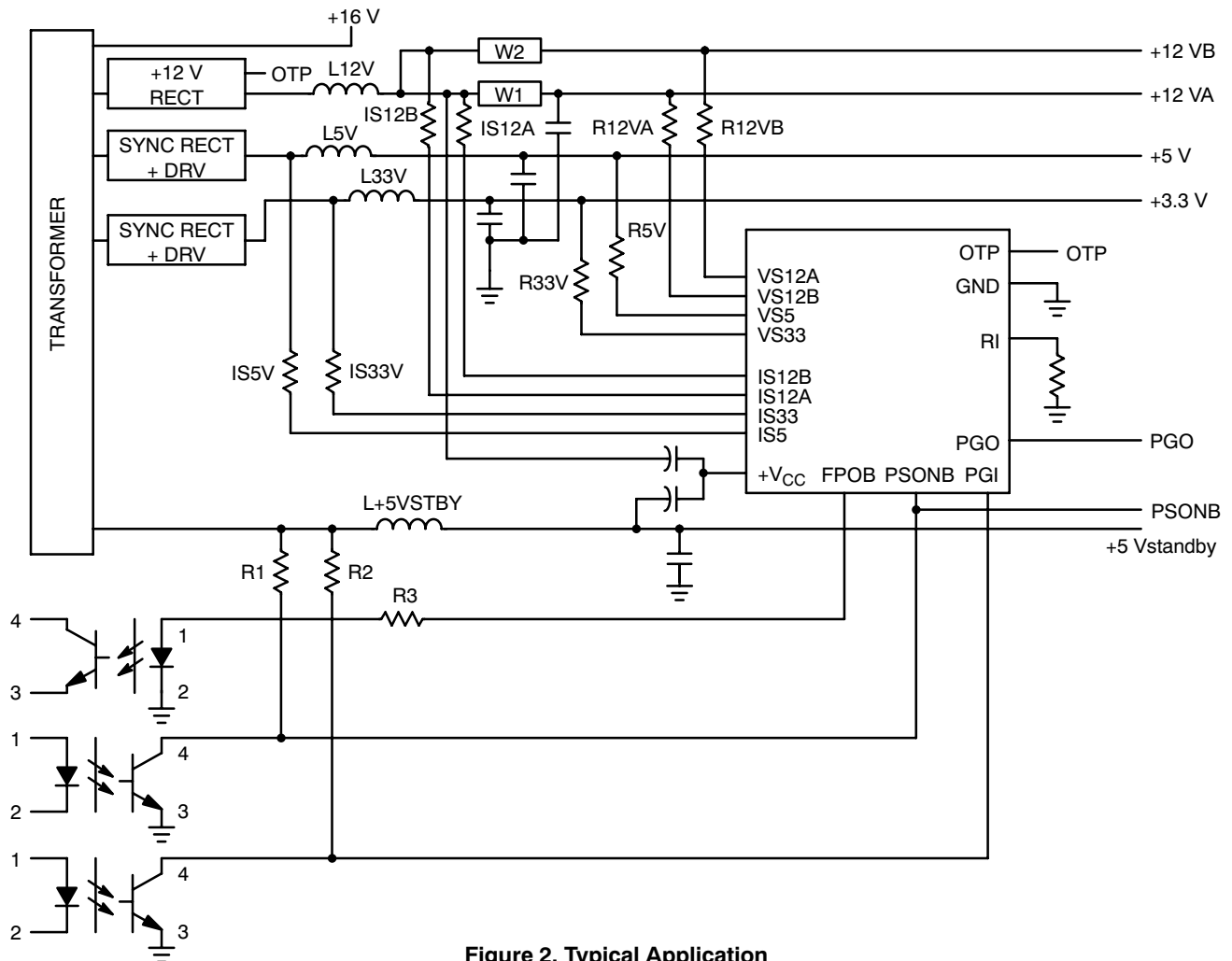


Figure 2. Typical Application

# NCP4350

## MAXIMUM RATINGS

Rating	Symbol	Value	Unit
Power Supply Input Current	$V_{CC}$	-0.3 to 16 100	V mA
Maximum Voltage Current	VS12A VS12B IS12A IS12B	-0.3 to 16 100	V mA
Maximum Voltage Current	PGI PSONB OTP VS33 IS33	-0.3 to 5.5 100	V mA
Maximum Voltage	$V_{RI}$	2.0	V
Power Good Output and FPOB Sink Current	IPGO IFPOB	5.0	mA
Maximum Voltage	$V_{OH}^{PGO}$ , $V_{OH}^{FPOB}$ VS5 IS5	7.5	V
Output Current from RI	$I_{REF}$	100	$\mu A$
Maximum Junction Temperature	$T_{JMAX}$	150	$^{\circ}C$
Storage Temperature Range	$T_{SMAX}$	-65 to 150	$^{\circ}C$
Lead Temperature (Soldering, 10s)	$T_{LMAX}$	300	$^{\circ}C$
Total Power Dissipation	$P_D$	TBD	W

Stresses exceeding Maximum Ratings may damage the device. Maximum Ratings are stress ratings only. Functional operation above the Recommended Operating Conditions is not implied. Extended exposure to stresses above the Recommended Operating Conditions may affect device reliability.

1. This device series contains ESD protection and exceeds the following tests:

Pins 1-16: Human Body Model 2000V per Mil-Std-883, Method 3015.

Machine Model Method 200V

2. This device contains Latch-up protection and exceeds  $\pm 100\text{ma}$  per JEDEC Standard JESD78.

## RECOMMENDED OPERATING CONDITIONS

Symbol	Rating	Min	Typ	Max	Unit
$V_{CC}$	Operating Supply Voltage	4.0		16	V
$I_{REF}$	Output Current from RI	12.5		62.5	$\mu A$
$T_J$	Operating Junction Temperature Range	0		105	$^{\circ}C$

# NCP4350

**ELECTRICAL CHARACTERISTICS** ( $V_{CC} = 12V$ , for typical values  $T_J = 25^\circ C$ , for min/max values,  $T_J = 0^\circ C$  to  $+105^\circ C$ , Max  $T_J = 150^\circ C$ ,  $R_{\theta} = 33 \text{ k}\Omega$ , unless otherwise noted.)

Symbol	Rating	Min	Typ	Max	Unit
$I_{CC}$	Operating Supply Current ( $V_{CC} = 16V$ , FPOB↓ and PGO↑)	-	1.5	2.0	mA

## Overvoltage/Undervoltage Protection

V33OVP	+3.3V Output Overvoltage Threshold (includes $V_{IO}$ ) $T_J = 0^\circ C$ to $+105^\circ C$	3.8	3.9	4.0	V
V33OVP <sub>HYS</sub>	Hysteresis (Note 3)	-	40	-	mV
V5OVP	+5 V Output Overvoltage Threshold (includes $V_{IO}$ ) $T_J = 0^\circ C$ to $+105^\circ C$	5.6	5.8	6.0	V
V5OVP <sub>HYS</sub>	Hysteresis (Note 3)	-	60	-	mV
V12OVP (A and B)	+12V Output Overvoltage Threshold (includes $V_{IO}$ ) $T_J = 0^\circ C$ to $+105^\circ C$	13.5	13.85	14.2	V
V12OVP <sub>HYS</sub> (A and B)	Hysteresis (Note 3)	-	130	-	mV
V33UVP	+3.3V Output Undervoltage Threshold (includes $V_{IO}$ ) $T_J = 0^\circ C$ to $+105^\circ C$	2.8	2.9	3.0	V
V33UVP <sub>HYS</sub>	Hysteresis (Note 3)	-	30	-	mV
V5UVP	+5 V Output Undervoltage Threshold (includes $V_{IO}$ ) $T_J = 0^\circ C$ to $+105^\circ C$	4.2	4.4	4.6	V
V5UVP <sub>HYS</sub>	Hysteresis (Note 3)	-	45	-	mV
V12UVP (A and B)	+12V Output Undervoltage Threshold (includes $V_{IO}$ ) $T_J = 0^\circ C$ to $+105^\circ C$	10.3	10.65	11.0	V
V12UVP <sub>HYS</sub> (A and B)	Hysteresis (Note 3)	-	100	-	mV

## Interface I/O

$V_{OLFPOB}$	Low Level Output Voltage Fault ( $I_{Sink} = 5 \text{ mA}$ )			0.4	V
$I_{LFAULT}$	Leakage Current ( $V_{DS} = 5V$ )			10	$\mu A$
$V_{THPGI}$	Input Voltage Threshold	1.18	1.25	1.32	V
$V_{OLPGO}$	Low Level Output Voltage ( $I_{Sink} = 5 \text{ mA}$ )			0.4	V
$I_{LPGO}$	Leakage Current ( $V_{DS} = 5V$ )			10	$\mu A$
$V_{OLPSONB}$	Low Level Input Voltage			0.8	V
$V_{OHPSONB}$	High Level Input Voltage	2.0			V
$V_{PSONBHYS}$	PSONB Input Hysteresis	300	-	-	mV
$PSONBV_{IH}$	Open Circuit Voltage ( $I_{IN} = 0 \text{ mA}$ )	2.5		5.25	V
$I_{LPSONB}$	Input Pull-up Current ( $V_{PSONB} = 0V$ )	120	170	220	$\mu A$

## Current Monitoring Comparators

IS12AV <sub>IO</sub>	Input Offset Voltage 12VA Comparator, $T_J = +25^\circ C$	-4.0		4.0	mV
IS12BV <sub>IO</sub>	Input Offset Voltage 12VB Comparator, $T_J = +25^\circ C$	-4.0		4.0	mV
IS33V <sub>IO</sub>	Input Offset Voltage 33V Comparator, $T_J = +25^\circ C$	-4.0		4.0	mV
IS5V <sub>IO</sub>	Input Offset Voltage 5V Comparator, $T_J = +25^\circ C$	-4.0		4.0	mV
$A_{VOL}$	Voltage Gain (Note 3)	50	200		V/mV
$I_{IB}$	Input Bias Current ( $V_{IS12x} = 12V$ , $V_{IS5} = 5V$ , $V_{IS33} = 3.3V$ )		300	500	nA
$I_{REFGAIN}$	The Gain of the $I_{REF}$ signal, $R_1 = 33 \text{ k} \pm 0.1\%$ , $I_{REF} = 1.25/R_1$ , $T_J = +25^\circ C$	7.68	8.0	8.32	

# NCP4350

**ELECTRICAL CHARACTERISTICS** ( $V_{CC} = 12V$ , for typical values  $T_J = 25^\circ C$ , for min/max values,  $T_J = 0^\circ C$  to  $+105^\circ C$ , Max  $T_J = 150^\circ C$ ,  $R_{\theta} = 33 \text{ k}\Omega$ , unless otherwise noted.)

Symbol	Rating	Min	Typ	Max	Unit
<b>Delay Characteristics</b>					
Tdly <sub>PSONB</sub>	Time delay On/Off PSONB (PGO↓) 50% of the pull up voltage (PSONB > V <sub>OHPSONB</sub> , R <sub>pull-up</sub> FPOB = 1k, V <sub>pull-up</sub> = +5 V)	24	38	62	msec
Tdly <sub>FOP</sub>	Time delay between PGO↓ and FPOB↑	2.0	4.0	8.0	msec
Tdly <sub>OV</sub>	Time delay from an OV to FPOB↑ and PGO↓ 50% of the pull up voltage (PSONB < V <sub>OLPSONB</sub> , R <sub>pull-up</sub> FPOB = 1k, V <sub>pull-up</sub> = +5 V)	9.0	14	19	μsec
Tdly <sub>UV</sub>	Time delay from an UV to FPOB↑ and PGO↓ 50% of the pull up voltage (PSONB < V <sub>OLPSONB</sub> , R <sub>pull-up</sub> FPOB = 1k, V <sub>pull-up</sub> = +5 V)	0.5	1.0	2.0	msec
Tdly <sub>PGO</sub>	Time delay PGI↑ to PGO↓ (PSONB < V <sub>OLPSONB</sub> , R <sub>pull-up</sub> PGO = 1k, V <sub>pull-up</sub> = +5 V)	100	300	438	msec
Tdly <sub>START</sub>	Time delay on start-up UV, OC, OTP lockout	45	75	130	msec
Tdelay <sub>OTP</sub>	Time delay from an OTP↑ to FPOB↑ and PGO↓ 50% of the pull up voltage (PSONB < V <sub>OLPSONB</sub> , R <sub>pull-up</sub> FPOB and PGO = 1k, V <sub>pull-up</sub> = +5 V) OTP↓	0.5	1.0	2.0	msec
Tdly <sub>OCP</sub>	Time delay from an OCP to FPOB↑ and PGO↓ 50% of the pull up voltage (PSONB < V <sub>OLPSONB</sub> , R <sub>pull-up</sub> FPOB and PGO = 1k, V <sub>pull-up</sub> = +5 V)	11	20	32	msec
Tdly <sub>PGI</sub>	Time delay from PSONB↓ to PGO↑ 10-90% of the pull up voltage (PGI > V <sub>THPGI</sub> , R <sub>pull-up</sub> PGO = 1k, V <sub>pull-up</sub> = +5V)	124	338	500	msec
<b>Overtemperature Input</b>					
V <sub>OTP</sub>	Voltage threshold for OTP↓ (PGO↓, FPOB↑, PSONB < V <sub>OLPSONB</sub> , R <sub>pull-up</sub> FPOB and PGO = 1k, V <sub>pull-up</sub> = +5 V)	1.18	1.25	1.32	V
V <sub>OTPHYS</sub>	Overtemperature Comparator Hysteresis (Note 3)		50		mV

3. Guaranteed by design.

# NCP4350

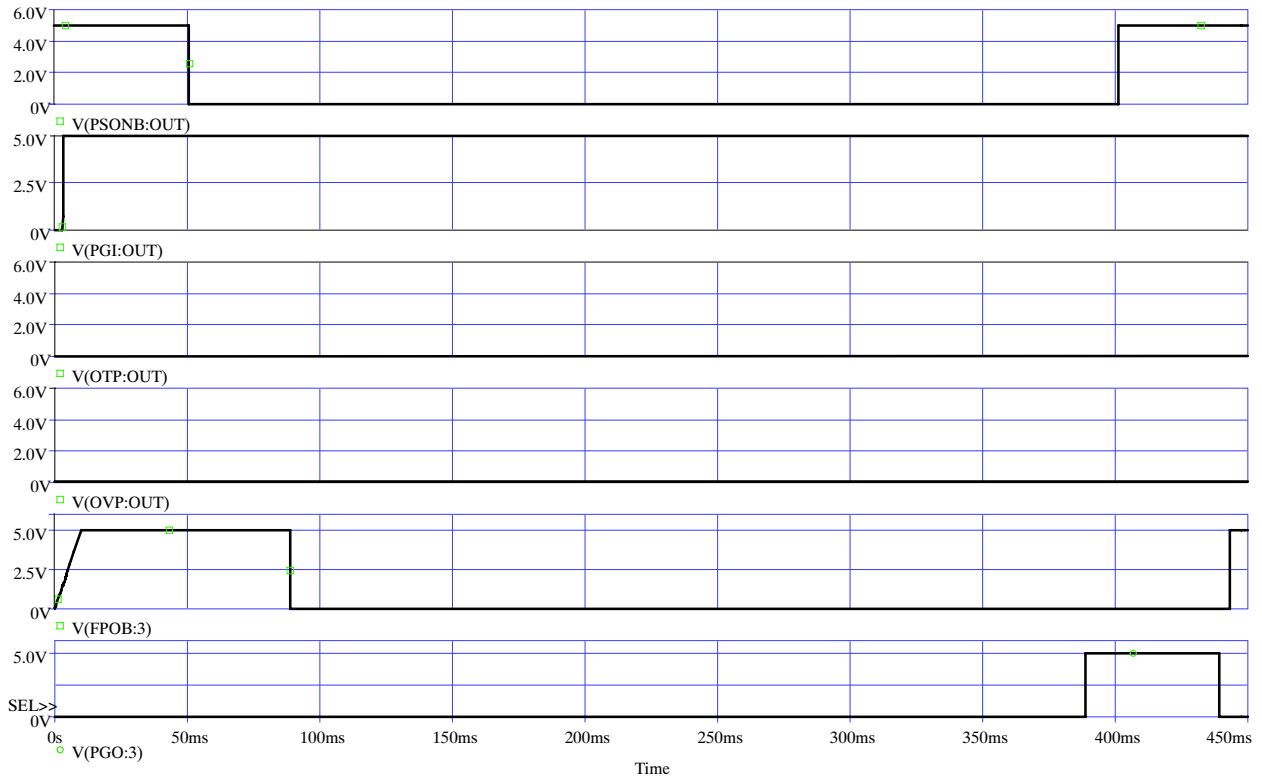


Figure 3. PSONB ON/OFF

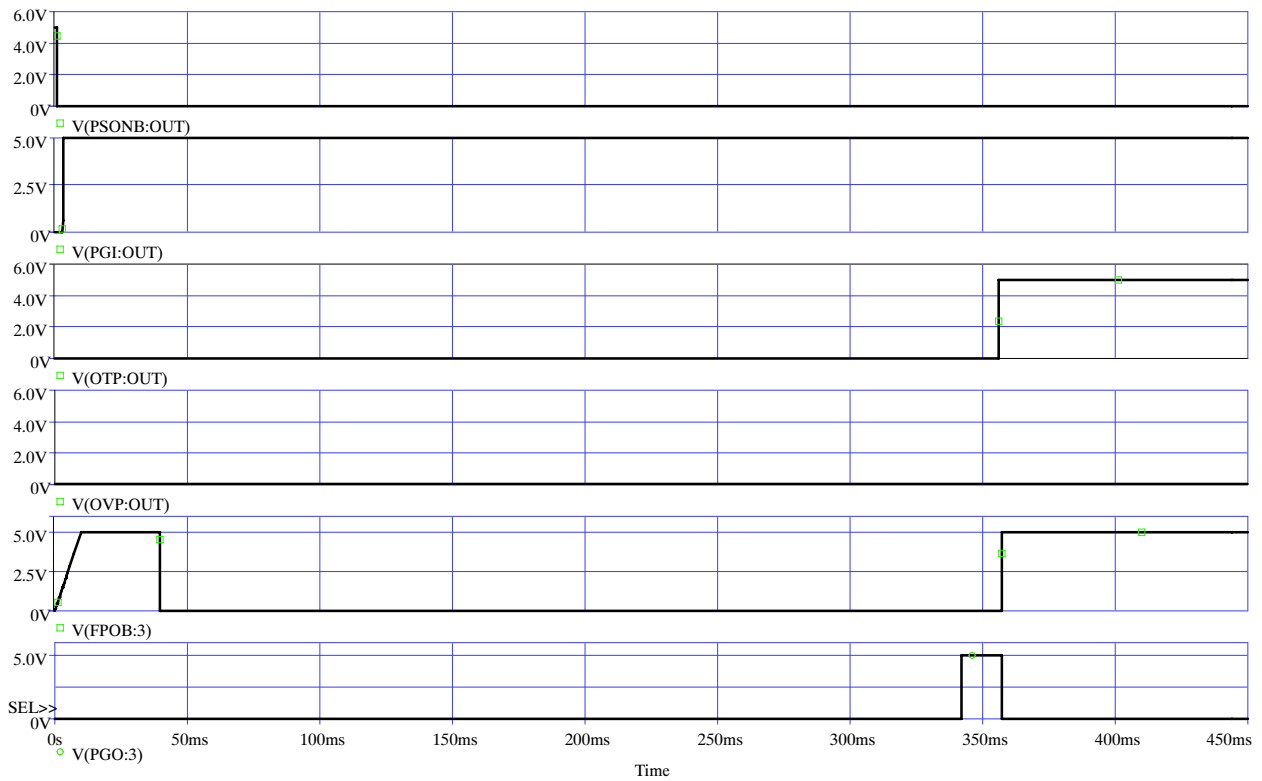


Figure 4. AC Turn-On - UVP, OVP, OCP, OTP Fault



# NCP4350

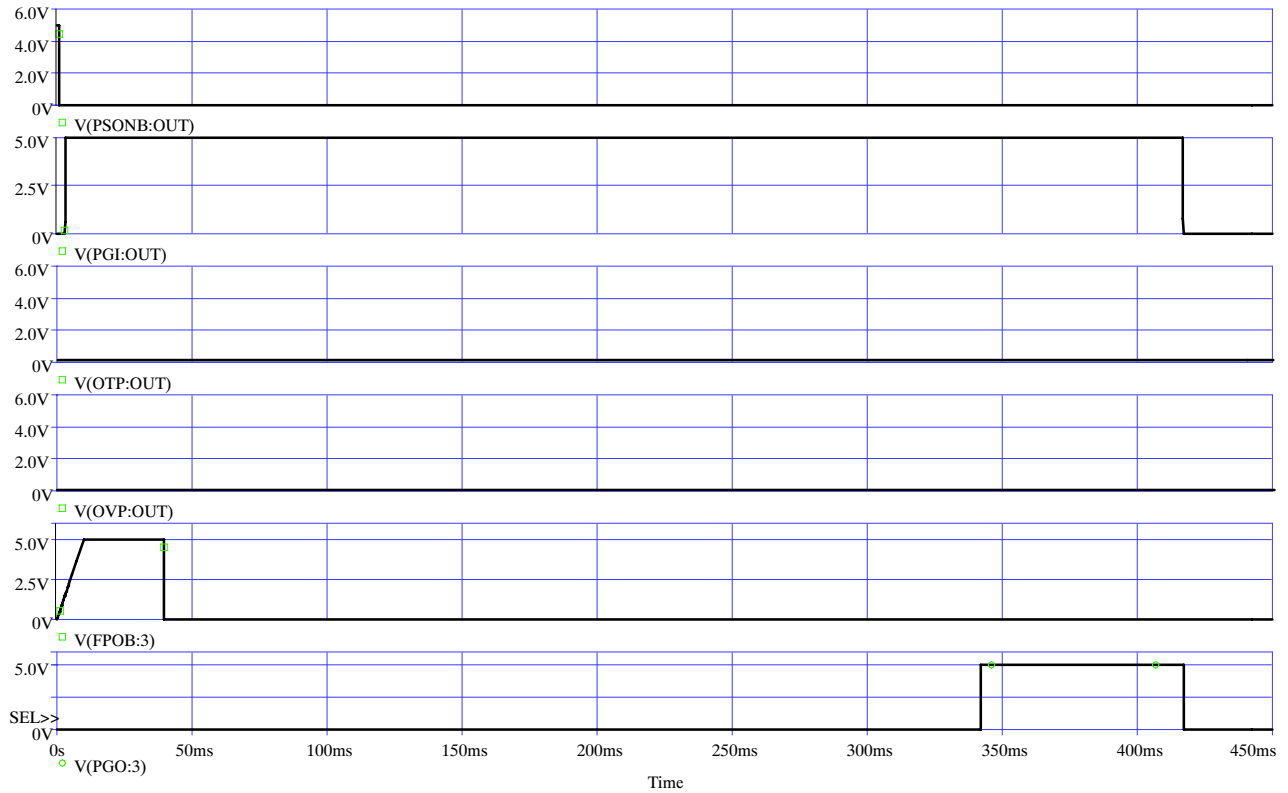


Figure 5. PSONB Turn-On - AC Turn-Off

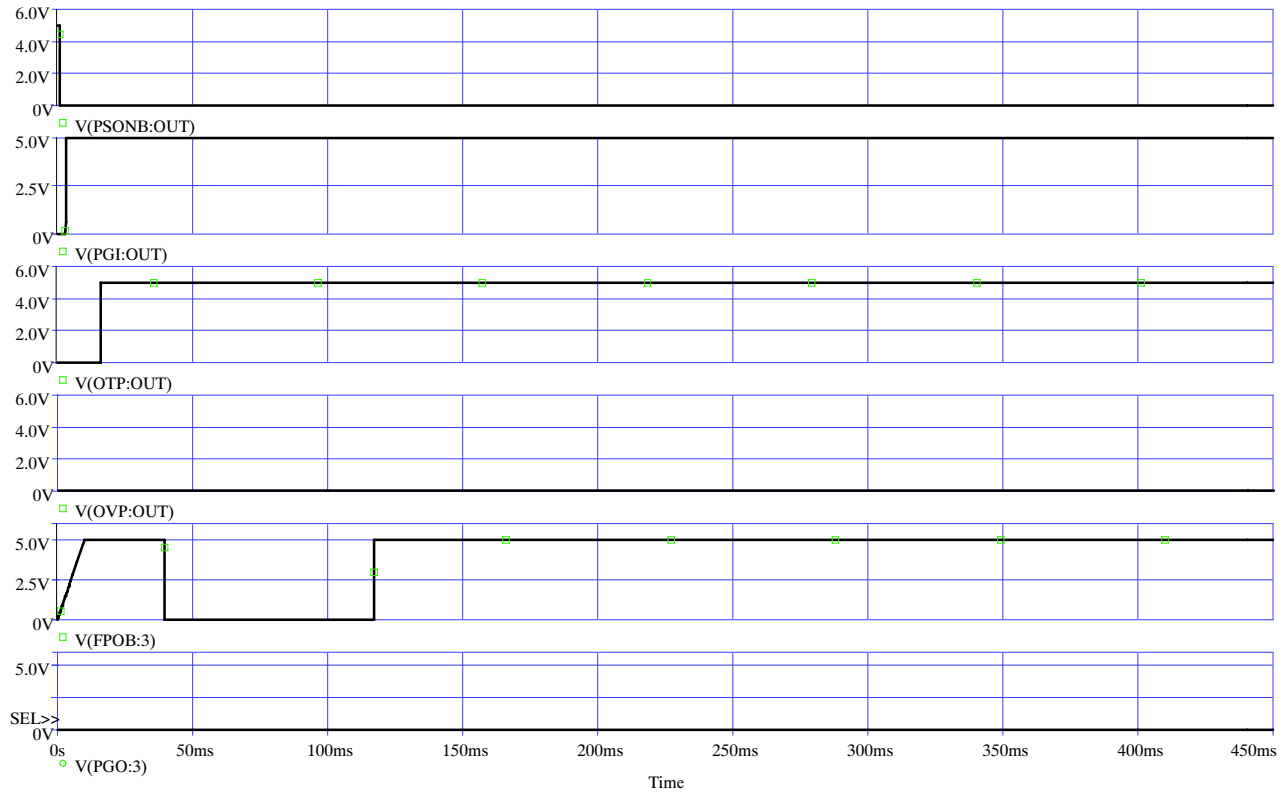


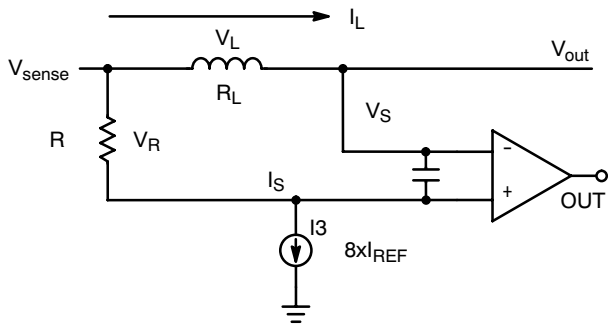
Figure 6. AC Turn-On with OTP, UVP or OCP Fault

TABLE 1: ASIC TRUTH TABLE

PGI	PSONB (REMOTE)	UVP,OVP,OCP	FPOB (FAULT)	PGO
<1.25V(L)	L	No	L	L
<1.25V(L)	L	Yes	L	L
>1.25V(H)	L	No	L	H
>1.25V(H)	L	Yes	H	L

**Overload Current Monitoring**

In ATX power supplies the output power must be monitored and limited. In the present ATX specification the +3.3 V and +5 V outputs have a very relaxed tolerance for the over current limit set point. As a result customers typically use the dc resistance in the output filter inductor. If very accuracy current sensing is required, as is the case for the +12 V outputs, a precision current shunt is used.



The circuit operates as shown, when the load current increases the voltage drop across the inductor, or current shunt, in series (the dc resistance) with the output increases reducing the voltage at the negative input of the overcurrent comparator. The voltage at the positive input to the comparator is set by the IREF current source, if the voltage at the negative input to the comparator is less than the voltage at the positive input to the comparator; the comparator output goes high indicating an overload condition. The overload trip level can be determined by the following relationships:

$$V_R = 8 \times I_{REF} \times R$$

$$R = \frac{R_L \cdot I_L}{I_{REF} \cdot 8}$$

Example:

$$R_1 = 33 \text{ k}\Omega$$

$$R_L = 0.002 \text{ }\Omega$$

$$R = 150 \text{ }\Omega$$

$$I_{REF} = \frac{V_{REF}}{R_1} = \frac{1.25 \text{ V}}{33\text{k}}$$

$$I_L = I_{REF} \cdot 8 \cdot \frac{R}{R_L} = 37.87\mu\text{A} \cdot 8 \cdot \frac{150}{0.002} = 22.72 \text{ Adc}$$

This calculation neglects input voltage offset, biases currents, and other tolerances.

**Output Voltage Sensing**

Four output voltage sense lines are provided +3.3V, +5.0V, +12VA, +12VB. Each of the sensed input signals is inputted into an undervoltage (UVP) and overvoltage (OVP) comparators. In the event of an output fault (OVP or UVP) the fault trigger signal is delayed and then latch. The delay has been added to prevent the Latch from being set during output transient conditions. During start-up the UVP, OTP and OCP comparators output are ignored.

**Power Good Input**

The Power Good input (PGI) can be used to monitor an additional logic event, for example the temperature inside an ATX power supply. When the input voltage at the PGI is below the threshold 1.25 V, the Power Good Output (PGO) signal remains in a low state, even if all of the voltage and current sensed inputs are within the voltage and current limits.

**PSONB**

The PSONB input is active low and is used to turn on/off the primary side controller. The PSONB signal can also be used to reset the PGO output after a fault a condition has occurred. When the PSONB signal is low (the external connection), the Fault signal between the monitoring controller and the power supply is enabled (FAULT will be low, no Fault). In order to reset the Fault latch a minimum width pulse should be applied to the PSONB input, the pulse should be greater than 38 msec (typical).

**Power Good Output**

The Power Good (PGO) signal is intended to warn the motherboard that the output voltage or current of at least one of the four outputs is out of tolerance. The PGO signal is delayed by 300 msec (typical) to avoid false tripping due to transient conditions. The PGO output is capable of sinking 5 mA of current.

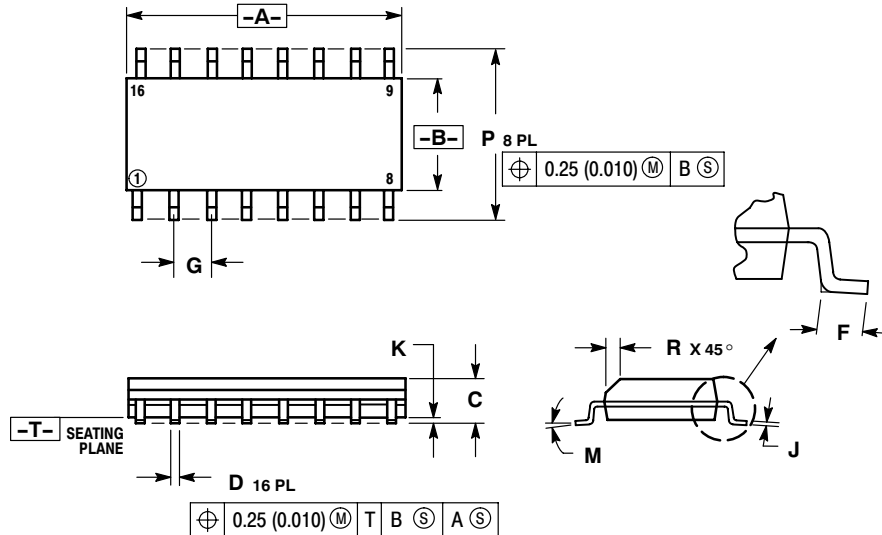
**FPOB Output**

In a typical application (refer to Figure 2) the Fault pin is activated (high level) when any one of four outputs is out of range, or there is an output overload condition. The Fault output is the link between the output monitoring circuits and the primary PWM. The Fault output is capable of sinking 5 mA of current.

# NCP4350

## PACKAGE DIMENSIONS

SOIC-16  
D SUFFIX  
CASE 751B-05  
ISSUE J



**NOTES:**

1. DIMENSIONING AND TOLERANCING PER ANSI Y14.5M, 1982.
2. CONTROLLING DIMENSION: MILLIMETER.
3. DIMENSIONS A AND B DO NOT INCLUDE MOLD PROTRUSION.
4. MAXIMUM MOLD PROTRUSION 0.15 (0.006) PER SIDE.
5. DIMENSION D DOES NOT INCLUDE DAMBAR PROTRUSION. ALLOWABLE DAMBAR PROTRUSION SHALL BE 0.127 (0.005) TOTAL IN EXCESS OF THE D DIMENSION AT MAXIMUM MATERIAL CONDITION.

DIM	MILLIMETERS		INCHES	
	MIN	MAX	MIN	MAX
A	9.80	10.00	0.386	0.393
B	3.80	4.00	0.150	0.157
C	1.35	1.75	0.054	0.068
D	0.35	0.49	0.014	0.019
F	0.40	1.25	0.016	0.049
G	1.27 BSC		0.050 BSC	
J	0.19	0.25	0.008	0.009
K	0.10	0.25	0.004	0.009
M	0°	7°	0°	7°
P	5.80	6.20	0.229	0.244
R	0.25	0.50	0.010	0.019

The product described herein (NCP4350), may be covered by U.S. patents including 6,373,734. There may be other patents pending.

**ON Semiconductor** and **ON** are registered trademarks of Semiconductor Components Industries, LLC (SCILLC). SCILLC reserves the right to make changes without further notice to any products herein. SCILLC makes no warranty, representation or guarantee regarding the suitability of its products for any particular purpose, nor does SCILLC assume any liability arising out of the application or use of any product or circuit, and specifically disclaims any and all liability, including without limitation special, consequential or incidental damages. "Typical" parameters which may be provided in SCILLC data sheets and/or specifications can and do vary in different applications and actual performance may vary over time. All operating parameters, including "Typicals" must be validated for each customer application by customer's technical experts. SCILLC does not convey any license under its patent rights nor the rights of others. SCILLC products are not designed, intended, or authorized for use as components in systems intended for surgical implant into the body, or other applications intended to support or sustain life, or for any other application in which the failure of the SCILLC product could create a situation where personal injury or death may occur. Should Buyer purchase or use SCILLC products for any such unintended or unauthorized application, Buyer shall indemnify and hold SCILLC and its officers, employees, subsidiaries, affiliates, and distributors harmless against all claims, costs, damages, and expenses, and reasonable attorney fees arising out of, directly or indirectly, any claim of personal injury or death associated with such unintended or unauthorized use, even if such claim alleges that SCILLC was negligent regarding the design or manufacture of the part. SCILLC is an Equal Opportunity/Affirmative Action Employer. This literature is subject to all applicable copyright laws and is not for resale in any manner.

### PUBLICATION ORDERING INFORMATION

**LITERATURE FULFILLMENT:**  
Literature Distribution Center for ON Semiconductor  
P.O. Box 5163, Denver, Colorado 80217 USA  
**Phone:** 303-675-2175 or 800-344-3860 Toll Free USA/Canada  
**Fax:** 303-675-2176 or 800-344-3867 Toll Free USA/Canada  
**Email:** orderlit@onsemi.com

**N. American Technical Support:** 800-282-9855 Toll Free  
USA/Canada  
**Europe, Middle East and Africa Technical Support:**  
Phone: 421 33 790 2910  
**Japan Customer Focus Center**  
Phone: 81-3-5773-3850

**ON Semiconductor Website:** [www.onsemi.com](http://www.onsemi.com)

**Order Literature:** <http://www.onsemi.com/orderlit>

For additional information, please contact your local Sales Representative