

NCS29001DGEVB

NCS29001 Evaluation Board User's Manual



ON Semiconductor®

<http://onsemi.com>

Eval Board User's Manual

Introduction

This document gives a detailed description of the NCS29001 Evaluation Board (SOIC-14 package) with the bill of materials, and board schematic. The appropriate lab test setups are also provided.

The NCS29001 Evaluation Board has been designed for a quick evaluation of the NCS29001 LCD backlight driver. Among its main characteristics, this evaluation board has been constructed to boost an input voltage of 24 V to drive an output LED string of 76 V at 200 mA.

This document must be used with the NCS29001 datasheet available on www.onsemi.com. The datasheet contains full technical details about the NCS29001 specifications and operation. The board is implemented in two metal layers with FR-4 dielectric. The top and bottom layers have thicknesses of 35 μm . The total PCB thickness is 1.62 mm with dimensions of 95.4 mm by 63.5 mm.

This evaluation board can be used to evaluate the device performance and it allows the user to place the NCS29001 device in a real application environment. While the intention is to evaluate the device according to datasheet specifications, it is important to take into account the additional circuitry inherent to the setup which can affect performance.

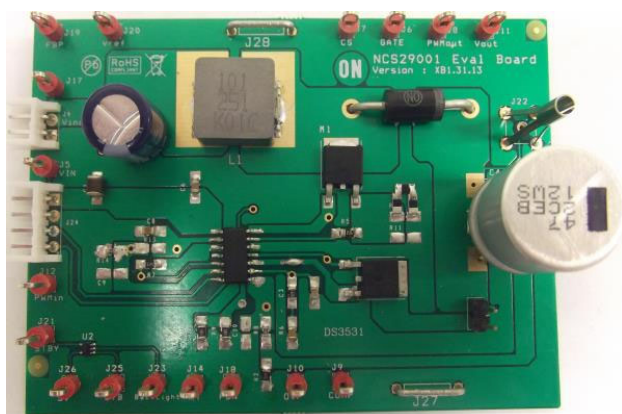


Figure 1. Evaluation Board (not to scale)

EQUIPMENT

The following table details the equipment used in the context of this application note manual.

Table 1. EQUIPMENT

Description	Main Features	Example of Equipment	Qty.
Regulated Power Supply	25 V / 5 A capability or greater	Chroma 62012P-600-8	1
Multimeter	-	Agilent 34401A	1
Oscilloscope	-	Tektronix MSO2024	1
Current probe	-	Tektronix TCP202	1
Waveform generator	-	Tektronix AFG3102	1

Get Started...

- Attach output LED string (76 V total VF)
- Set $V_{IN} = 12\text{ V}$ and $V_{inductor} = 24\text{ V}$
- Bring device out of standby by applying high to low transition on STBY pin
- Turn on device by applying PWM signal to PWMIn pin (between 100 Hz and 300 Hz with 10% to 100% duty cycle)
- Turning on the device from standby will trigger soft-start power up with smooth LED current ramp up
- LED brightness can be varied by adjusting duty cycle on the PWM signal
- Maximum LED current is set to 200 mA for this application

NCS29001DGEVB

SCHEMATIC

Figure 2 shows the NCS29001 in circuit as it is implemented on the evaluation board.

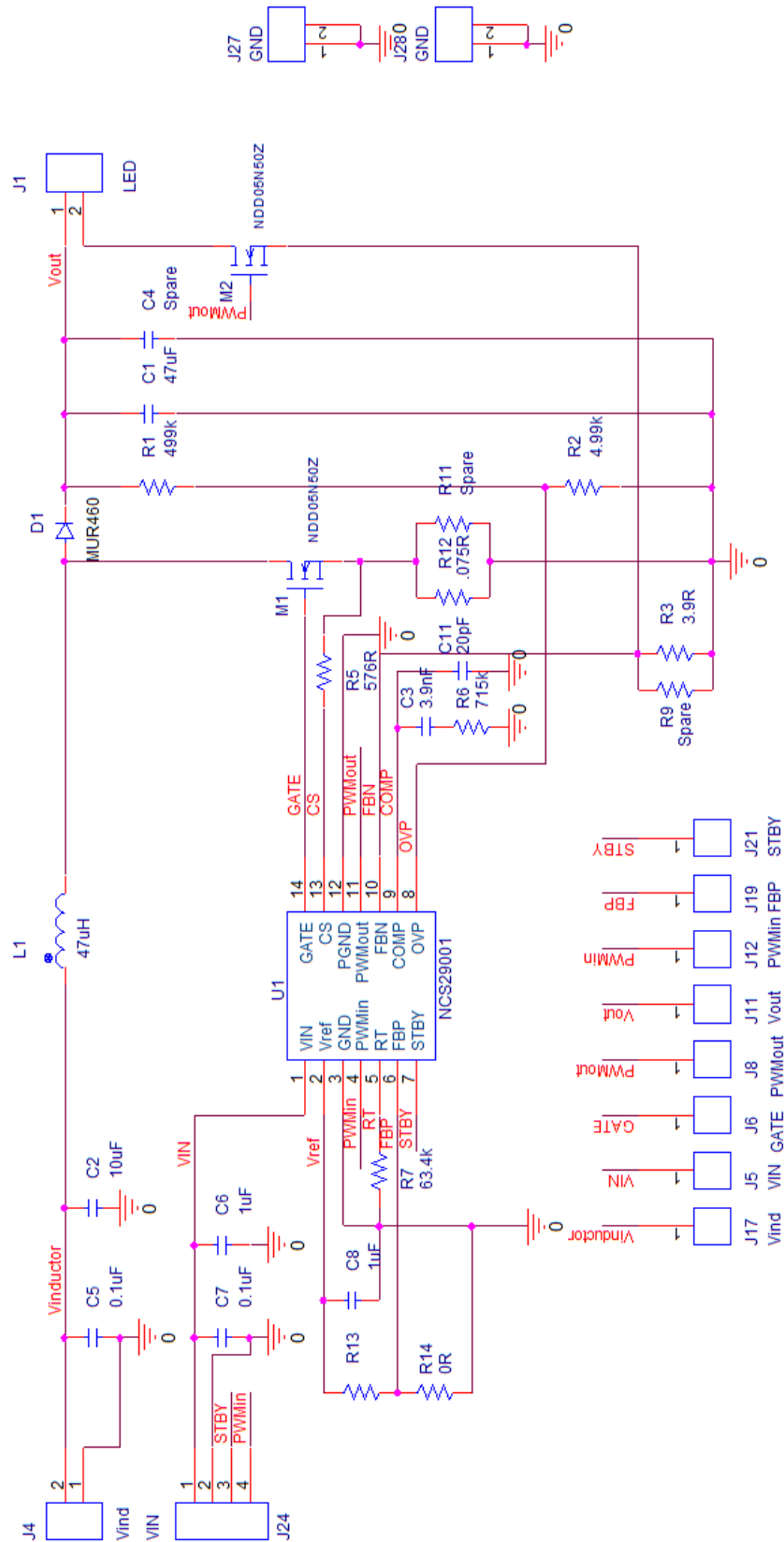


Figure 2. Evaluation Board Schematic

NCS29001DGEVB

BILL OF MATERIAL

Table 2. BILL OF MATERIAL

Designator	Qty	Description	Value	Tolerance	Footprint	Manufacturer	Manufacturer Part Number	Substitution Allowed	Lead Free
C1	1	Aluminum Electrolytic Capacitor	47 μ F	20%	16 mm diameter	Panasonic	EEV-EB2C470SM	Yes	Yes
C2	1	Ceramic Chip Capacitor	10 μ F	10%	1206	TDK	C3216X5R1H106K160AB	Yes	Yes
C5, C7	2	Ceramic Chip Capacitor	0.1 μ F	10%	1206	TDK	C3216X7R1H104K	Yes	Yes
C6, C8	2	Ceramic Chip Capacitor	1 μ F	20%	1206	TDK	C3216X7R1C105M	Yes	Yes
C4	1	Aluminum Electrolytic Capacitor	Open	-	5 mm lead spacing	-	-	-	-
C3	1	Ceramic Chip Capacitor	3.9 nF	5%	0805	TDK	C2012C0G1H392J060AA	Yes	Yes
C11	1	Ceramic Chip Capacitor	20 pF	5%	0805	AVX	08051A200JAT2A	Yes	Yes
L1	1	High Current Inductor	47 μ H	15%	14.1 mm x 13.1 mm	Cooper Bussman	HCR-470-R	Yes	Yes
R1	1	Through Hole Resistor	499 k	1%	1 mm lead spacing	Yageo	MFR-25FBF52-499k	Yes	Yes
R2	1	Chip Resistor	4.99 k	1%	0805	Panasonic	ERJ-6ENF4991V	Yes	Yes
R3	1	Chip Resistor	3.9 R	1%	1206	Panasonic	ERJ-8RQF3R9V	Yes	Yes
R5	1	Chip Resistor	576 R	1%	0805	Panasonic	ERJ-6ENF5760V	Yes	Yes
R6	1	Chip Resistor	715 k	1%	0805	Panasonic	ERJ-6ENF7153V	Yes	Yes
R7	1	Chip Resistor	63.4 k	1%	0805	Panasonic	ERJ-6ENF6342V	Yes	Yes
R9, R11	2	Chip Resistor	Open	-	1210	-	-	-	-
R12	1	Chip Resistor	0.075 R	1%	1206	Panasonic	ERJ-L08UF75MV	Yes	Yes
R13	1	Chip Resistor	Open	-	0805	-	-	-	-
R14	1	Chip Resistor	0	1%	0805	Panasonic	ERJ-6GEY0R00V	Yes	Yes
M1, M2	2	Power MOSFET N-Channel	-	-	DPAK	ON Semiconductor	NDD05N50Z	Yes	Yes
D1	1	Ultra-Fast Power Rectifier	-	-	Axial Lead-2	ON Semiconductor	MUR460G	Yes	Yes
J5, J6, J8, J11, J12, J17, J19, J21	8	PCB Test Terminal, Red	-	-	Hole diameter 1.7 mm	Keystone	5005	Yes	Yes
J1, J4	2	Header 2 pin, 0.1 inch spacing	-	-	0.100 x 2	TE Connectivity	647676-2	Yes	Yes
J24	1	Header 4 pin, 0.1 inch spacing	-	-	0.100 x 4	TE Connectivity	647676-4	Yes	Yes
J27, J28	2	PCB Shorting Link	-	-	GND_Strap	Harwin	D3082-46	Yes	Yes
U1	1	NCS29001	-	-	SOIC14	ON Semiconductor	NCS29001DR2G	No	Yes

onsemi, **Onsemi**, and other names, marks, and brands are registered and/or common law trademarks of Semiconductor Components Industries, LLC dba "**onsemi**" or its affiliates and/or subsidiaries in the United States and/or other countries. **onsemi** owns the rights to a number of patents, trademarks, copyrights, trade secrets, and other intellectual property. A listing of **onsemi**'s product/patent coverage may be accessed at www.onsemi.com/site/pdf/Patent-Marking.pdf. **onsemi** is an Equal Opportunity/Affirmative Action Employer. This literature is subject to all applicable copyright laws and is not for resale in any manner.

The evaluation board/kit (research and development board/kit) (hereinafter the "board") is not a finished product and is not available for sale to consumers. The board is only intended for research, development, demonstration and evaluation purposes and will only be used in laboratory/development areas by persons with an engineering/technical training and familiar with the risks associated with handling electrical/mechanical components, systems and subsystems. This person assumes full responsibility/liability for proper and safe handling. Any other use, resale or redistribution for any other purpose is strictly prohibited.

THE BOARD IS PROVIDED BY ONSEMI TO YOU "AS IS" AND WITHOUT ANY REPRESENTATIONS OR WARRANTIES WHATSOEVER. WITHOUT LIMITING THE FOREGOING, ONSEMI (AND ITS LICENSORS/SUPPLIERS) HEREBY DISCLAIMS ANY AND ALL REPRESENTATIONS AND WARRANTIES IN RELATION TO THE BOARD, ANY MODIFICATIONS, OR THIS AGREEMENT, WHETHER EXPRESS, IMPLIED, STATUTORY OR OTHERWISE, INCLUDING WITHOUT LIMITATION ANY AND ALL REPRESENTATIONS AND WARRANTIES OF MERCHANTABILITY, FITNESS FOR A PARTICULAR PURPOSE, TITLE, NON-INFRINGEMENT, AND THOSE ARISING FROM A COURSE OF DEALING, TRADE USAGE, TRADE CUSTOM OR TRADE PRACTICE.

onsemi reserves the right to make changes without further notice to any board.

You are responsible for determining whether the board will be suitable for your intended use or application or will achieve your intended results. Prior to using or distributing any systems that have been evaluated, designed or tested using the board, you agree to test and validate your design to confirm the functionality for your application. Any technical, applications or design information or advice, quality characterization, reliability data or other services provided by **onsemi** shall not constitute any representation or warranty by **onsemi**, and no additional obligations or liabilities shall arise from **onsemi** having provided such information or services.

onsemi products including the boards are not designed, intended, or authorized for use in life support systems, or any FDA Class 3 medical devices or medical devices with a similar or equivalent classification in a foreign jurisdiction, or any devices intended for implantation in the human body. You agree to indemnify, defend and hold harmless **onsemi**, its directors, officers, employees, representatives, agents, subsidiaries, affiliates, distributors, and assigns, against any and all liabilities, losses, costs, damages, judgments, and expenses, arising out of any claim, demand, investigation, lawsuit, regulatory action or cause of action arising out of or associated with any unauthorized use, even if such claim alleges that **onsemi** was negligent regarding the design or manufacture of any products and/or the board.

This evaluation board/kit does not fall within the scope of the European Union directives regarding electromagnetic compatibility, restricted substances (RoHS), recycling (WEEE), FCC, CE or UL, and may not meet the technical requirements of these or other related directives.

FCC WARNING – This evaluation board/kit is intended for use for engineering development, demonstration, or evaluation purposes only and is not considered by **onsemi** to be a finished end product fit for general consumer use. It may generate, use, or radiate radio frequency energy and has not been tested for compliance with the limits of computing devices pursuant to part 15 of FCC rules, which are designed to provide reasonable protection against radio frequency interference. Operation of this equipment may cause interference with radio communications, in which case the user shall be responsible, at its expense, to take whatever measures may be required to correct this interference.

onsemi does not convey any license under its patent rights nor the rights of others.

LIMITATIONS OF LIABILITY: **onsemi** shall not be liable for any special, consequential, incidental, indirect or punitive damages, including, but not limited to the costs of requalification, delay, loss of profits or goodwill, arising out of or in connection with the board, even if **onsemi** is advised of the possibility of such damages. In no event shall **onsemi**'s aggregate liability from any obligation arising out of or in connection with the board, under any theory of liability, exceed the purchase price paid for the board, if any.

The board is provided to you subject to the license and other terms per **onsemi**'s standard terms and conditions of sale. For more information and documentation, please visit www.onsemi.com.

ADDITIONAL INFORMATION

TECHNICAL PUBLICATIONS:

Technical Library: www.onsemi.com/design/resources/technical-documentation
onsemi Website: www.onsemi.com

ONLINE SUPPORT: www.onsemi.com/support

For additional information, please contact your local Sales Representative at www.onsemi.com/support/sales