

# NCV896530EVB

## NCV896530 Evaluation Board User's Manual



ON Semiconductor®

<http://onsemi.com>

### EVAL BOARD USER'S MANUAL

#### Description

The NCV896530EVB evaluation board provides an opportunity to evaluate the NCV896530 in a convenient form factor with an adjustable output. The board contains four potentiometers, allowing the user to coarsely and finely adjust each output independently. The outputs are capability of providing up to 1 A each and 1.6 A total. The two enable pins allow each switcher to be used independently, while the SYNC pin allows you to synchronize the oscillator to an external clock up to 2.7 MHz and the POR pin reports the state of the outputs.

#### Key Features

- Dual 0.9 V – 3.3 V Adjustable Output
- 1 A Output Current Per Channel, 1.6 A Total
- Fixed Frequency Operation at 2.1 MHz
- 2.7 V – 5.5 V Input Voltage Range
- External Clock Synchronization up to 2.7 MHz
- Output Monitoring
- Automotive Grade

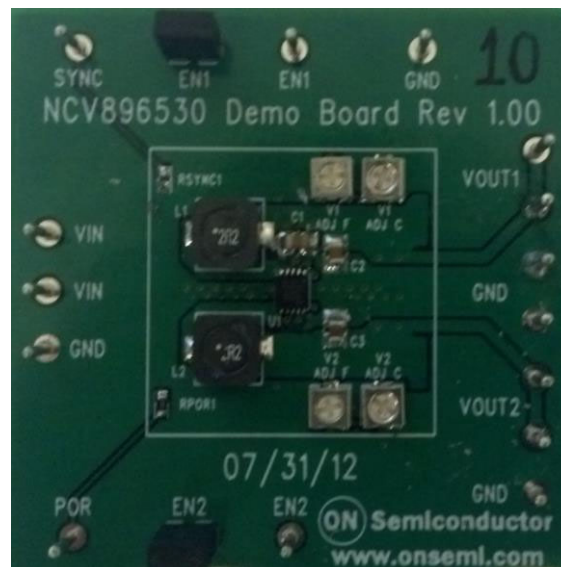


Figure 1. NCV896530EVB Evaluation Board

# NCV896530EVB

**Table 1. EVALUATION BOARD TERMINAL DESCRIPTION**

Terminal	Function
VIN	Positive dc input voltage.
GND	Common dc return.
VOUT1	Dc output voltage for SMPS1.
EN1	Dc enable voltage for SMPS1. A dc logic high enables the device.
VOUT2	Dc output voltage for SMPS2.
EN2	Dc enable voltage for SMPS2. A dc logic high enables the device.
SYNC	External clock synchronization.
POR	Power on reset pin. Pulls low if either output is out of regulation. By default this pin is pulled up to VIN

**Table 2. EVALUATION BOARD POTENTIOMETER DESCRIPTIONS**

Potentiometer name	Function
V1 ADJ F	Fine adjust for SMPS1 output.
V1 ADJ C	Coarse adjust for SMPS1 output.
V2 ADJ F	Fine adjust for SMPS2 output.
V2 ADJ C	Coarse adjust for SMPS2 output.

**Table 3. ABSOLUTE MAXIMUM RATINGS** (Voltages are with respect to GND unless otherwise noted)

Rating	Value	Unit
Dc Supply Voltage (VIN)	-0.3 to 6	V
Dc Supply Voltage (EN1,EN2,SYNC)	-0.3 to 6, VIN + 0.3	V
Ambient Temperature	-40 to 105	°C

Stresses exceeding Maximum Ratings may damage the device. Maximum Ratings are stress ratings only. Functional operation above the Recommended Operating Conditions is not implied. Extended exposure to stresses above the Recommended Operating Conditions may affect device reliability.

**Table 4. ELECTRICAL CHARACTERISTICS** (TA = 25°C, 4.5 ≤ VIN ≤ 18 V, IOU ≤ 2 A, unless otherwise specified)

Characteristic	Conditions	Typical Value	Unit
<b>OUTPUT VOLTAGE</b>			
Output Voltage	-	0.9 to 3.3	V
Soft-start Time	-	700	μs
<b>SWITCHING REGULATOR</b>			
Switching Frequency	-	2.2	MHz
SYNC Frequency	-	1.8 to 2.7	MHz
<b>CURRENT LIMIT</b>			
Current limit		1.7	A
<b>GENERAL</b>			
Input Undervoltage Lockout (UVLO)	VIN falling	2.4	V
Efficiency	VIN = 5 V, IOU = 1 A	70	%
Thermal Shutdown		170	°C

# NCV896530EVB

## TYPICAL WAVEFORMS

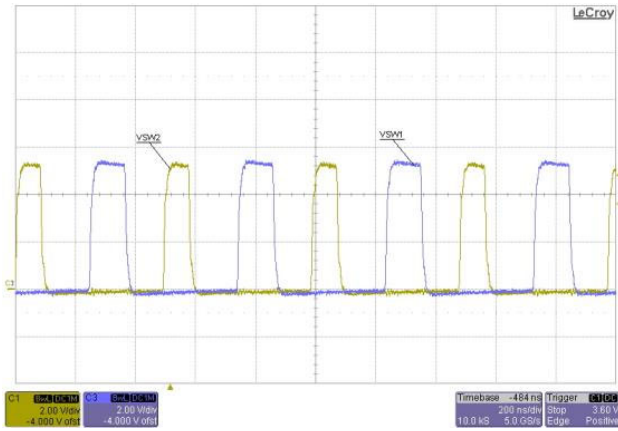


Figure 2. Normal Operation

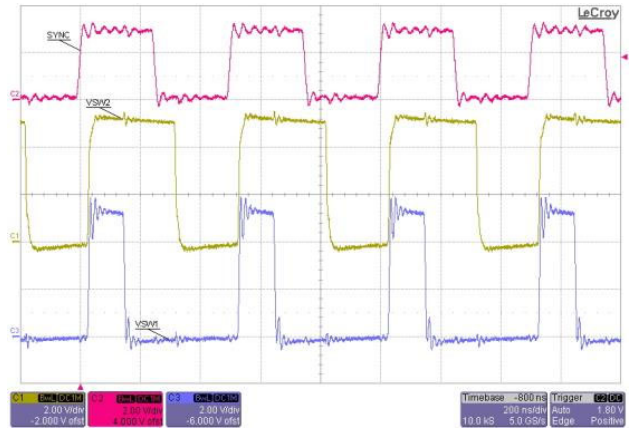


Figure 3. Synchronization

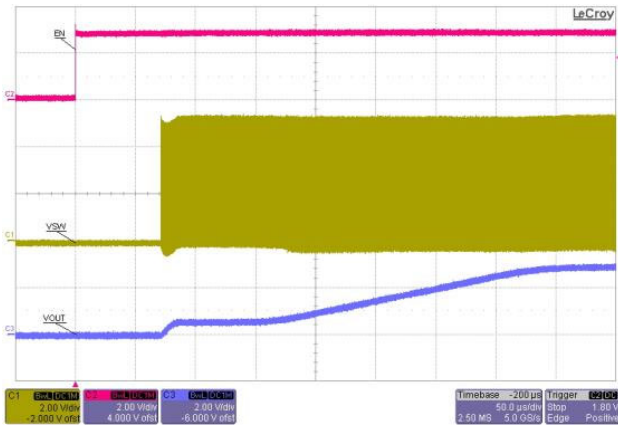


Figure 4. Start Up

SCHMATIC

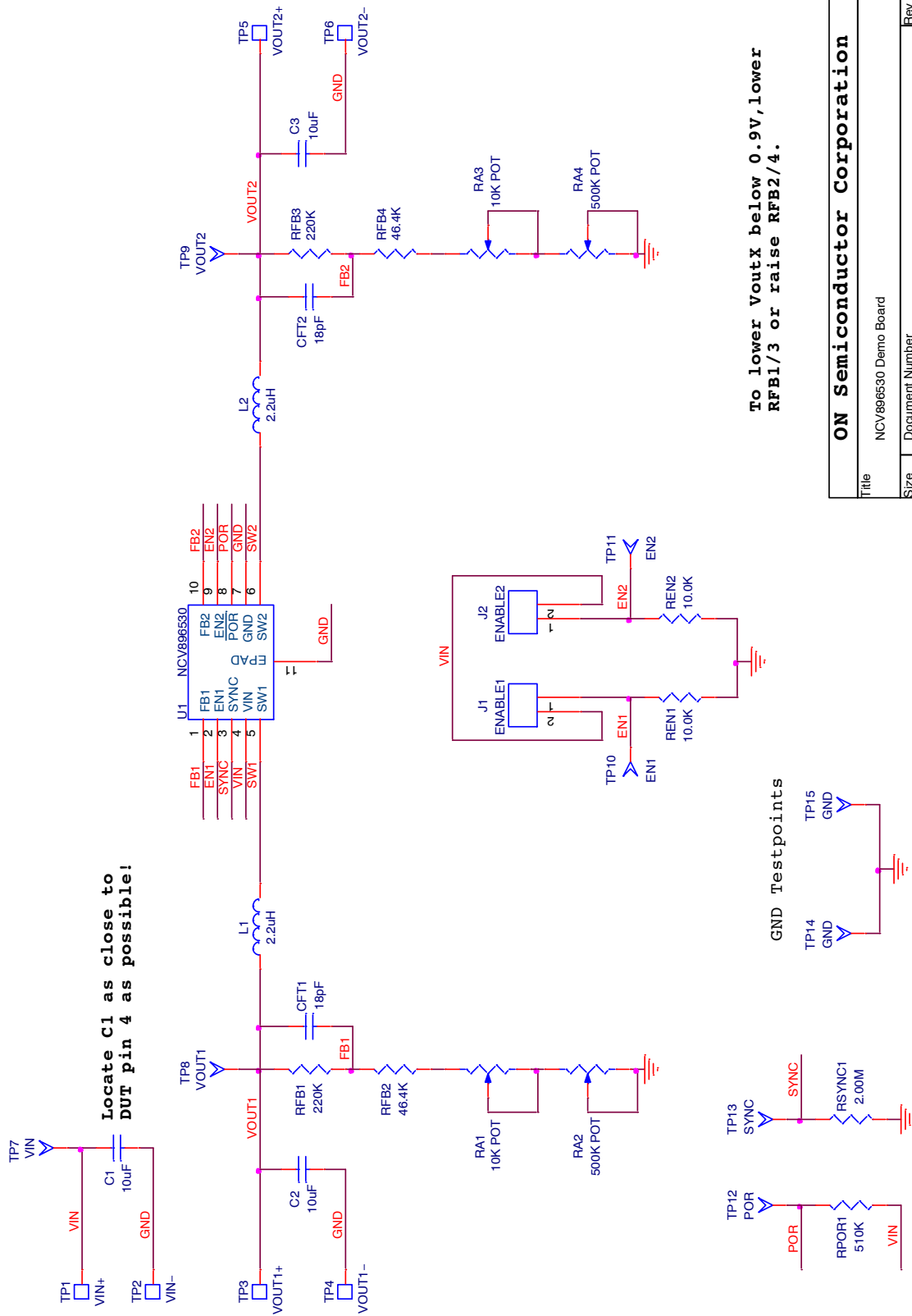


Figure 5. Evaluation Board Schematic

Title		NCV896530 Demo Board	
Size	A	Document Number	Main Page
Rev	1.00	Date:	Wednesday, August 28, 2013
		Sheet	1 of 1

ON Semiconductor Corporation

# NCV896530EVB

## PCB LAYOUT

NCV896530 Demo Board Rev 1.00 08/28/13  
Top Layer

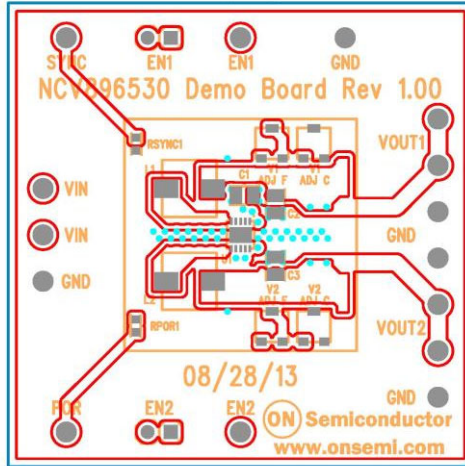


Figure 6. Top Layout

NCV896530 Demo Board Rev 1.00 08/28/13  
Bottom Layer (mirrored)

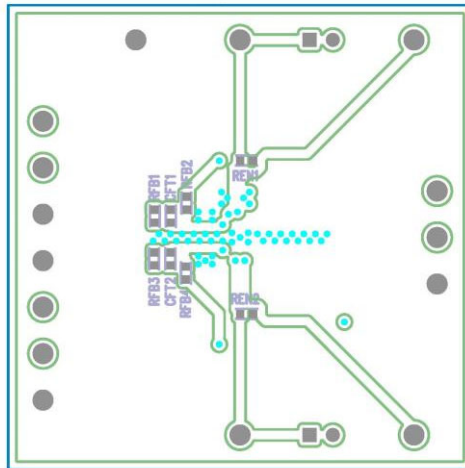


Figure 7. Bottom Layout

# NCV896530EVB

## BILL OF MATERIALS

**Table 5. BILL OF MATERIALS**

Reference	Value	PCB Footprint	Manufacturer's Part Number	Digi-Key Part Number
CFT1	18 pF	603	GRM1885C1H180JA01D	490-1409-1-ND
CFT2	18 pF	603	GRM1885C1H180JA01D	490-1409-1-ND
C1	10 $\mu$ F	805	GRM21BR71A106KE51L	490-3905-1-ND
C2	10 $\mu$ F	805	GRM21BR71A106KE51L	490-3905-1-ND
C3	10 $\mu$ F	805	GRM21BR71A106KE51L	490-3905-1-ND
J1	ENABLE1	JMP	22-28-4023	WM6502-ND
J2	ENABLE2	JMP	22-28-4023	WM6502-ND
L1	2.2 $\mu$ H	WE-PD-S	7447785002	Wurth Samples
L2	2.2 $\mu$ H	WE-PD-S	7447785002	Wurth Samples
RA1	10K POT	PVG3A_POT	PVG3A103C01R00	490-2644-1-ND
RA3	10K POT	PVG3A_POT	PVG3A103C01R00	490-2644-1-ND
RA2	500K POT	PVG3A_POT	PVG3A504C01R00	490-2657-1-ND
RA4	500K POT	PVG3A_POT	PVG3A504C01R00	490-2657-1-ND
REN1	10.0 K	603	CRCW060310K0FKEA	541-10.0KHCT-ND
REN2	10.0 K	603	CRCW060310K0FKEA	541-10.0KHCT-ND
RFB1	220 K	603	CRCW0603220KFKEA	541-220KHCT-ND
RFB3	220 K	603	CRCW0603220KFKEA	541-220KHCT-ND
RFB2	46.4 K	603	CRCW060346K4FKEA	541-46.4KHCT-ND
RFB4	46.4 K	603	CRCW060346K4FKEA	541-46.4KHCT-ND
RPOR1	510 K	603	CRCW0603510KFKEA	541-510KHCT-ND
RSYNC1	2.00 M	603	CRCW06032M00FKEA	541-2.00MHCT-ND
TP1	VIN+	TP		
TP2	VIN-	TP		
TP3	VOUT1+	TP		
TP4	VOUT1-	TP		
TP5	VOUT2+	TP		
TP6	VOUT2-	TP		
TP7	VIN	TP		
TP8	VOUT1	TP		
TP9	VOUT2	TP		
TP10	EN1	TP		
TP11	EN2	TP		
TP12	POR	TP		
TP13	SYNC	TP		
TP14	GND	TP		
TP15	GND	TP		
U1	NCV896530	10PINDFNP5		

**onsemi**, **Onsemi**, and other names, marks, and brands are registered and/or common law trademarks of Semiconductor Components Industries, LLC dba "**onsemi**" or its affiliates and/or subsidiaries in the United States and/or other countries. **onsemi** owns the rights to a number of patents, trademarks, copyrights, trade secrets, and other intellectual property. A listing of **onsemi**'s product/patent coverage may be accessed at [www.onsemi.com/site/pdf/Patent-Marking.pdf](http://www.onsemi.com/site/pdf/Patent-Marking.pdf). **onsemi** is an Equal Opportunity/Affirmative Action Employer. This literature is subject to all applicable copyright laws and is not for resale in any manner.

The evaluation board/kit (research and development board/kit) (hereinafter the "board") is not a finished product and is not available for sale to consumers. The board is only intended for research, development, demonstration and evaluation purposes and will only be used in laboratory/development areas by persons with an engineering/technical training and familiar with the risks associated with handling electrical/mechanical components, systems and subsystems. This person assumes full responsibility/liability for proper and safe handling. Any other use, resale or redistribution for any other purpose is strictly prohibited.

**THE BOARD IS PROVIDED BY ONSEMI TO YOU "AS IS" AND WITHOUT ANY REPRESENTATIONS OR WARRANTIES WHATSOEVER. WITHOUT LIMITING THE FOREGOING, ONSEMI (AND ITS LICENSORS/SUPPLIERS) HEREBY DISCLAIMS ANY AND ALL REPRESENTATIONS AND WARRANTIES IN RELATION TO THE BOARD, ANY MODIFICATIONS, OR THIS AGREEMENT, WHETHER EXPRESS, IMPLIED, STATUTORY OR OTHERWISE, INCLUDING WITHOUT LIMITATION ANY AND ALL REPRESENTATIONS AND WARRANTIES OF MERCHANTABILITY, FITNESS FOR A PARTICULAR PURPOSE, TITLE, NON-INFRINGEMENT, AND THOSE ARISING FROM A COURSE OF DEALING, TRADE USAGE, TRADE CUSTOM OR TRADE PRACTICE.**

**onsemi** reserves the right to make changes without further notice to any board.

You are responsible for determining whether the board will be suitable for your intended use or application or will achieve your intended results. Prior to using or distributing any systems that have been evaluated, designed or tested using the board, you agree to test and validate your design to confirm the functionality for your application. Any technical, applications or design information or advice, quality characterization, reliability data or other services provided by **onsemi** shall not constitute any representation or warranty by **onsemi**, and no additional obligations or liabilities shall arise from **onsemi** having provided such information or services.

**onsemi** products including the boards are not designed, intended, or authorized for use in life support systems, or any FDA Class 3 medical devices or medical devices with a similar or equivalent classification in a foreign jurisdiction, or any devices intended for implantation in the human body. You agree to indemnify, defend and hold harmless **onsemi**, its directors, officers, employees, representatives, agents, subsidiaries, affiliates, distributors, and assigns, against any and all liabilities, losses, costs, damages, judgments, and expenses, arising out of any claim, demand, investigation, lawsuit, regulatory action or cause of action arising out of or associated with any unauthorized use, even if such claim alleges that **onsemi** was negligent regarding the design or manufacture of any products and/or the board.

This evaluation board/kit does not fall within the scope of the European Union directives regarding electromagnetic compatibility, restricted substances (RoHS), recycling (WEEE), FCC, CE or UL, and may not meet the technical requirements of these or other related directives.

FCC WARNING – This evaluation board/kit is intended for use for engineering development, demonstration, or evaluation purposes only and is not considered by **onsemi** to be a finished end product fit for general consumer use. It may generate, use, or radiate radio frequency energy and has not been tested for compliance with the limits of computing devices pursuant to part 15 of FCC rules, which are designed to provide reasonable protection against radio frequency interference. Operation of this equipment may cause interference with radio communications, in which case the user shall be responsible, at its expense, to take whatever measures may be required to correct this interference.

**onsemi** does not convey any license under its patent rights nor the rights of others.

LIMITATIONS OF LIABILITY: **onsemi** shall not be liable for any special, consequential, incidental, indirect or punitive damages, including, but not limited to the costs of requalification, delay, loss of profits or goodwill, arising out of or in connection with the board, even if **onsemi** is advised of the possibility of such damages. In no event shall **onsemi**'s aggregate liability from any obligation arising out of or in connection with the board, under any theory of liability, exceed the purchase price paid for the board, if any.

The board is provided to you subject to the license and other terms per **onsemi**'s standard terms and conditions of sale. For more information and documentation, please visit [www.onsemi.com](http://www.onsemi.com).

## ADDITIONAL INFORMATION

### TECHNICAL PUBLICATIONS:

Technical Library: [www.onsemi.com/design/resources/technical-documentation](http://www.onsemi.com/design/resources/technical-documentation)  
onsemi Website: [www.onsemi.com](http://www.onsemi.com)

ONLINE SUPPORT: [www.onsemi.com/support](http://www.onsemi.com/support)

For additional information, please contact your local Sales Representative at [www.onsemi.com/support/sales](http://www.onsemi.com/support/sales)