

NCV887701BSTGEVB

NCV887701 Automotive Grade High-Frequency Start-Stop Boost Controller Evaluation Board User's Manual



ON Semiconductor®

<http://onsemi.com>

EVAL BOARD USER'S MANUAL

Description

This NCV887701 evaluation board provides a convenient way to evaluate a high frequency boost controller designed to supply a minimum output voltage during Start-Stop vehicle battery voltage sags. The unit is in low I_q sleep-mode under normal battery operating condition and wakes-up when the monitored voltage drops below 7.3 V and begin regulating once 6.8 V is reached. Switching frequency is set to 440 kHz with a user selectable ROSC resistor. The evaluation board is rated 6.8 V / 3.6 A at a 2.6 V input voltage. Operation below 2.6 V is possible if output current is reduced.

Key Features

- Automatic Enable below 7.3 V
- Disable Override Function
- Boost Operation at 6.8 V
- 440 kHz Switching Frequency
- Input Undervoltage Lockout
- Wide Input Voltage of 2.6 V to 45 V
- Low Quiescent Current in Sleep Mode ($< 12 \mu\text{A}$ Typical)
- Cycle-by-Cycle Current Limit Protection
- Automotive Grade

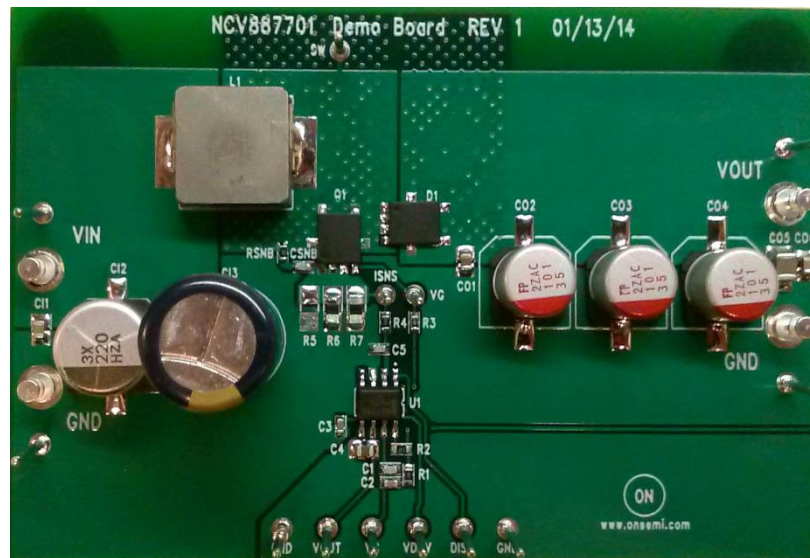


Figure 1. NCV887701 Start-Stop Evaluation Board

NCV887701BSTGEVB

Table 1. EVALUATION BOARD TERMINALS

Terminal	Function
VIN (large post)	Positive DC input voltage (power)
GND (large post)	Common DC return (power)
VOOUT (large post)	Regulated DC output voltage (power)
GND (small post)	Common DC return, monitoring point
VC (small post)	Voltage compensation, monitoring point
VOOUT (small post)	Regulated DC output voltage, monitoring point
VDRV (small post)	Driving voltage, monitoring point
DISB (small post)	Disable override input, monitoring point
ISNS (small post)	Current sense resistor voltage, monitoring point
VG (small post)	MOSFET gate voltage, monitoring point
SW (small post)	MOSFET drain voltage, monitoring point

Table 2. ABSOLUTE MAXIMUM RATINGS (Voltages are with respect to GND)

Rating	Value	Unit
DC supply voltage (VIN)	-0.3 to 45	V
DC supply voltage (EN, SYNC)	-0.3 to 6	V
DC Voltage (DISB)	-0.3 to 6	V
Junction Temperature	-40 to 150	°C
Ambient temperature (Evaluation Board)	-40 to 105	°C

Stresses exceeding those listed in the Maximum Ratings table may damage the device. If any of these limits are exceeded, device functionality should not be assumed, damage may occur and reliability may be affected.

Table 3. ELECTRICAL CHARACTERISTICS

($T_A = 25^\circ\text{C}$, $2.6\text{ V} \leq V_{IN} \leq V_{out_LED}$, $V_{DISB} = 5\text{ V}$, unless otherwise specified)

Characteristics	Conditions	Typical Value	Unit
Switching			
Switching Frequency	ROSC = 10.7 kΩ	440	kHz
User Selectable Frequency Range	ROSC (refer to datasheet)	170-500	kHz
Current Limit			
Cycle-by-cycle Current Limit (FET)	-	18	A
Protections			
Maximum Duty Cycle	-	0.83	-
VOOUT Undervoltage Lockout (UVLO)	VOOUT falling	3.8	V
Thermal Shutdown	T_A increasing	170	°C

Product parametric performance is indicated in the Electrical Characteristics for the listed test conditions, unless otherwise noted. Product performance may not be indicated by the Electrical Characteristics if operated under different conditions.

NCV887701BSTGEVB

Operational Guidelines

The evaluation board is rated to operate under full load for input voltage as low as 2.6 V at the input terminal under full power (less if output current is reduced). Start-Stop applications use reverse battery protection diodes in front of the boost converter (Figure 2), so the input source can operate down to 2.6 V plus a diode drop (i.e. ~3 V).

Notes:

1. The IC UVLO (undervoltage lockout) is 4.25 V for VOUT rising, 3.8 V for VOUT falling (0.45 V hysteresis).
2. Limit time spent with the power supply operating at minimum input voltage (equivalent to VIN = 2.6 V) to avoid overheating the power semiconductors.

First Time Power-Up:

1. Connect a DC source voltage (15 A capable) set to a voltage of 12 – 13 V as shown in Figure 1.
2. Connect the DISB TTL control signal as shown in Figure 1. The initial DISB state should be set to logic -‘0’.

3. Connect a 3.6 A constant current load on the output.
4. Decrease the DC input voltage until the PCB VIN voltage is 5.5 V ±0.5 V.
5. Set the DISB control signal to a TTL high state (i.e. 5 V).
6. Verify that the unit is regulating at VOUT = 6.8 V.
7. Reduce the DC input voltage until the PCB VIN = 2.6 V. Verify that the unit is regulating at VOUT = 6.8 V.

Start-Stop Voltage Transient Test:

1. Connect both DC1 and DC2 input power supplies as illustrated in Figure 2. Adjust DC2 so that PCB VIN = 2.6 V for a 3.6 A load.
2. Connect a 3.6 A load on the output. If a load resistor is used, it is recommended to start from a DC1 input voltage of 8.5 – 9.0 V to avoid overstressing the PCB boost diode (D1, rated 4 A).
3. Monitor VOUT. Disconnect supply DC1. VOUT should have a response similar to that of Figure 3.

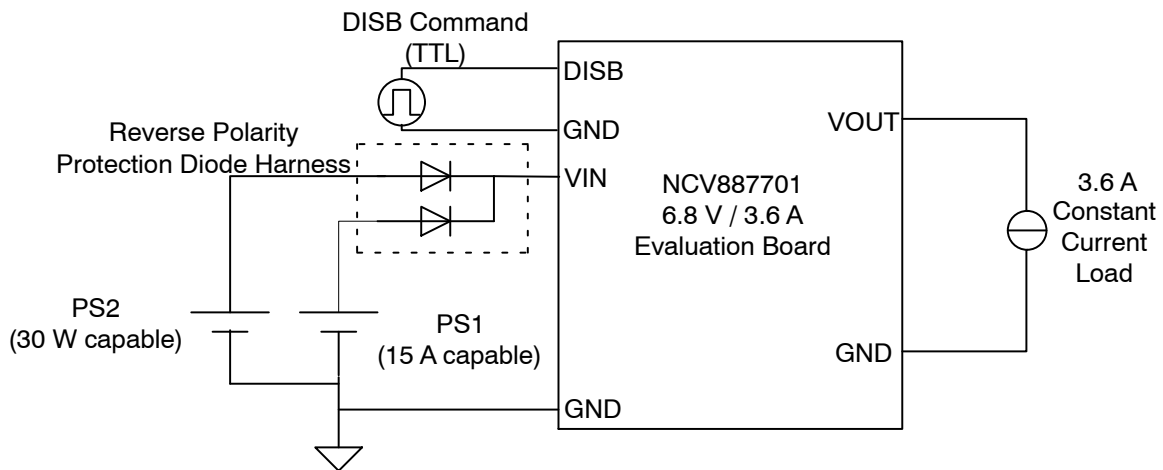


Figure 2. Evaluation Board Connections

NCV887701BSTGEVB

Typical Performance

DC1 is disabled, then re-enabled

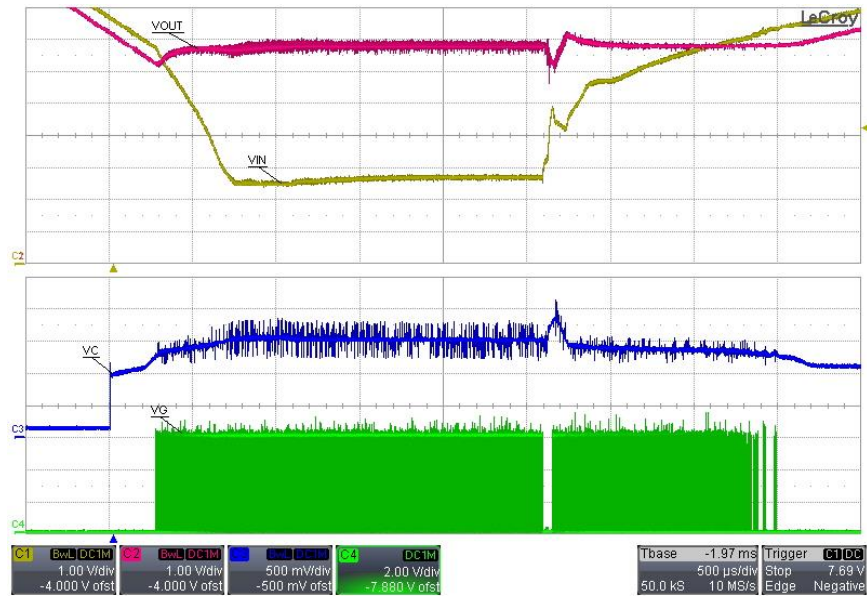


Figure 3. NCV887701 Evaluation Board Waveforms

- DC2 at VIN adjusted to 2.6 V (after reverse polarity protection diode)
- VOUT = 6.8 V, I_{OUT} = 3.6 A

NCV887701BSTGEVB

SCHEMATIC

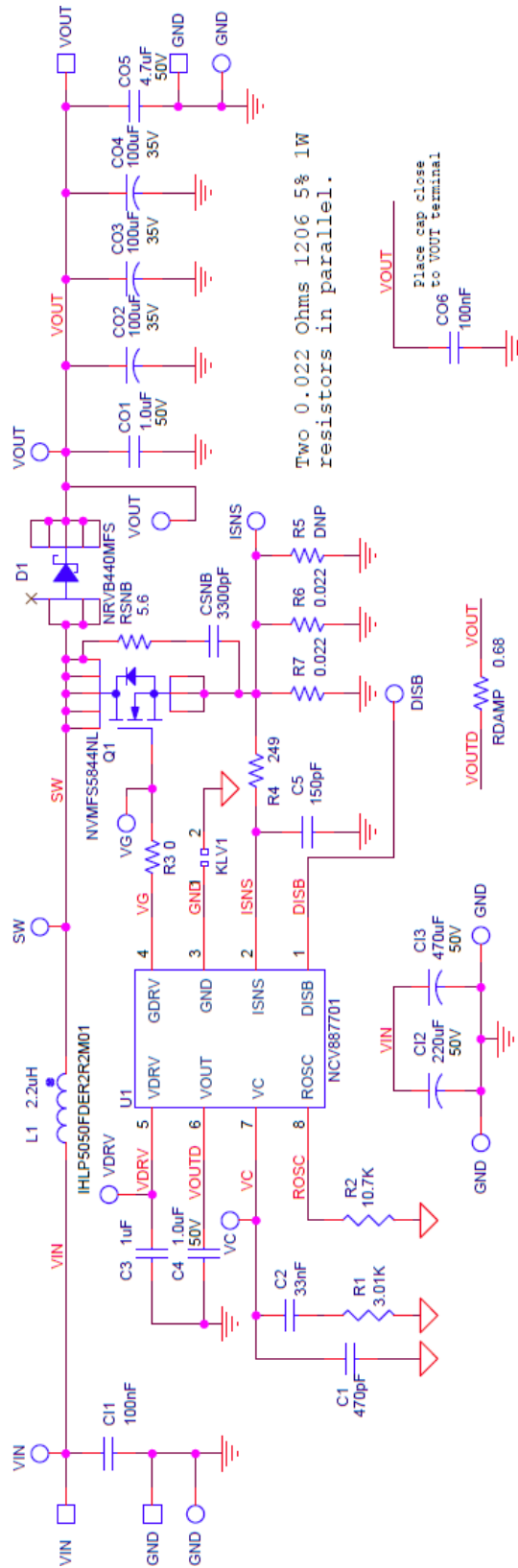


Figure 4. NCV887701 Boost 6.8 V / 3.6 A Evaluation Board Schematic

NCV887701BSTGEVB

BILL OF MATERIALS

Table 4. BILL OF MATERIALS*

Reference Designator(s)	QTY	Description	Value	Tolerance	Manufacturer	Manufacturer's Part Number	Substitution Allowed
C1	1	CAP CER 470PF 50V 5% NPO 0603	470 pF	5%	Murata Electronics North America	GCM1885C1H471JA16D	Yes
C2	1	CAP CER 0.033UF 50V 10% X7R 0603	0.033 μ F	10%	TDK Corporation	CGA3E2X7R1H333K080AA	Yes
C3	1	CAP CER 1UF 16V 10% X7R 0603	1 μ F	10%	Murata Electronics North America	GCM188R71C105KA64D	Yes
C4, CO1	2	CAP CER 1UF 50V 10% X7R 0805	1.0 μ F	10%	TDK Corporation	CGA4J3X7R1H105K125AB	Yes
C5	1	CAP CER 150PF 50V 5% NPO 0603	150 pF	5%	Murata Electronics North America	GCM1885C1H151JA16D	Yes
CI1, CO6	2	CAP CER 0.1UF 50V 10% X7R 0805	100 nF	10%	Murata Electronics North America	GCM21BR71H104KA37L	Yes
CI2	1	CAP ALUM 220UF 50V 20% SMD	220 μ F	20%	Chemi-Con	EMZA500ADA221MJA0G	Yes
CI3	1	CAP ALUM 470UF 50V 20% RADIAL	470 μ F	20%	Panasonic Electronic Components	EEU-FC1H471	Yes
CO2, CO3, CO4	3	CAP ALUM 100UF 35V 20% SMD	100 μ F	20%	Nichicon	RHS1V101MCN1GS	No
CO5	1	CAP CER 4.7UF 50V 10% X7R 1210	4.7 μ F	10%	Murata Electronics North America	GCM32ER71H475KA55L	Yes
CSNB	1	CAP CER 3300PF 50V 5% NPO 0603	3300 pF	5%	TDK Corporation	CGA3E2C0G1H332J080AA	Yes
D1	1	40 V, 4.0 A Schottky Rectifier SO8-FL	40 V / 4 A	N/A	ON Semiconductor	NRVB440MFST1G	No
L1	1	INDUCTOR POWER 2.2UH 22A SMD	2.2 μ H	20%	Vishay Dale	IHLP5050FDER2R2M01	No
Q1	1	N-Channel Power MOSFET 60V 61A SO-8FL	60 V / 61 A	N/A	ON Semiconductor	NVMFS5844NL	No
R1	1	RES 3.01K OHM 1/10W 1% 0603 SMD	3.01 K Ω	1%	Vishay Dale	CRCW06033K01FKEA	Yes
R2	1	RES 10.7K OHM 1/10W 1% 0603 SMD	10.7 K Ω	1%	Vishay Dale	CRCW060310K7FKEA	Yes
R3	1	RES 0.0 OHM 1/10W JUMP 0603 SMD	0	Jumper	Vishay Dale	CRCW06030000Z0EA	Yes
R4	1	RES 249 OHM 1/10W 1% 0603 SMD	249 Ω	1%	Vishay Dale	CRCW0603249RFKEA	Yes
R6	DNP						
R7, R8	2	RES 0.022 OHM 1W 5% 1206 SMD	0.022 Ω	5%	Panasonic Electronic Components	ERJ-8BWJR022V	No
RDAMP	1	RES 0.68 OHM 1/10W 1% 0603 SMD	0.68 Ω	1%	Panasonic Electronic Components	ERJ-3RQFR68V	Yes
RSNB	1	RES 5.6 OHM 1/10W 1% 0603 SMD	5.6 Ω	1%	Vishay Dale	CRCW06035R60FKEA	Yes
U1	1	Automotive Non-Sync Boost Controller	N/A	N/A	ON Semiconductor	NCV887701	No

*All Materials are RoHS Compliant

NCV887701BSTGEVB

PCB LAYOUT

NCV887701 Demo Board Rev 1
TOP Layer 01/13/2014

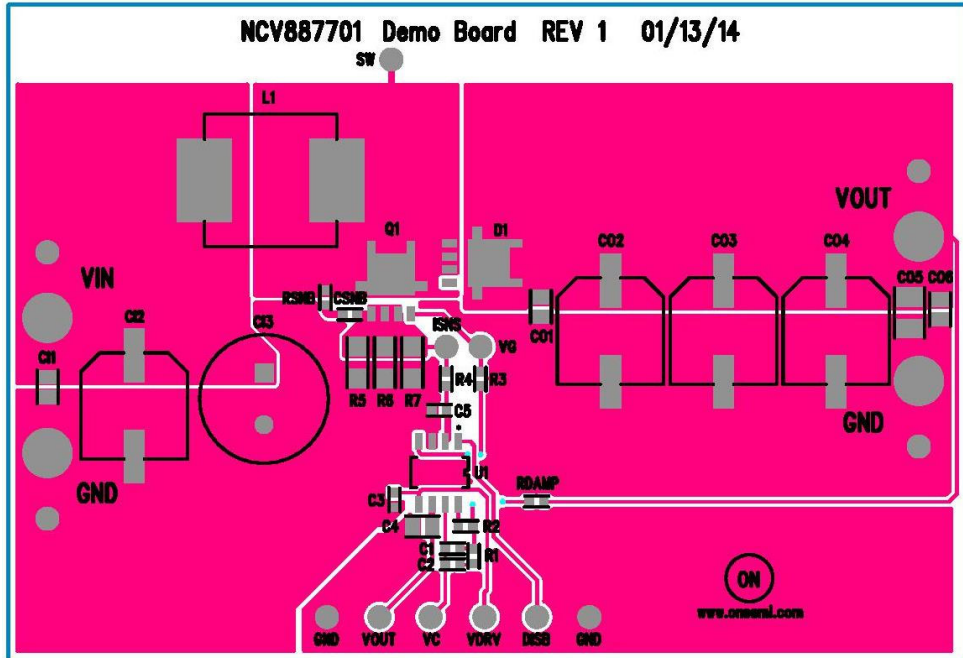


Figure 5. Top View

NCV887701 Demo Board Rev 1
BOTTOM Layer 01/13/2014

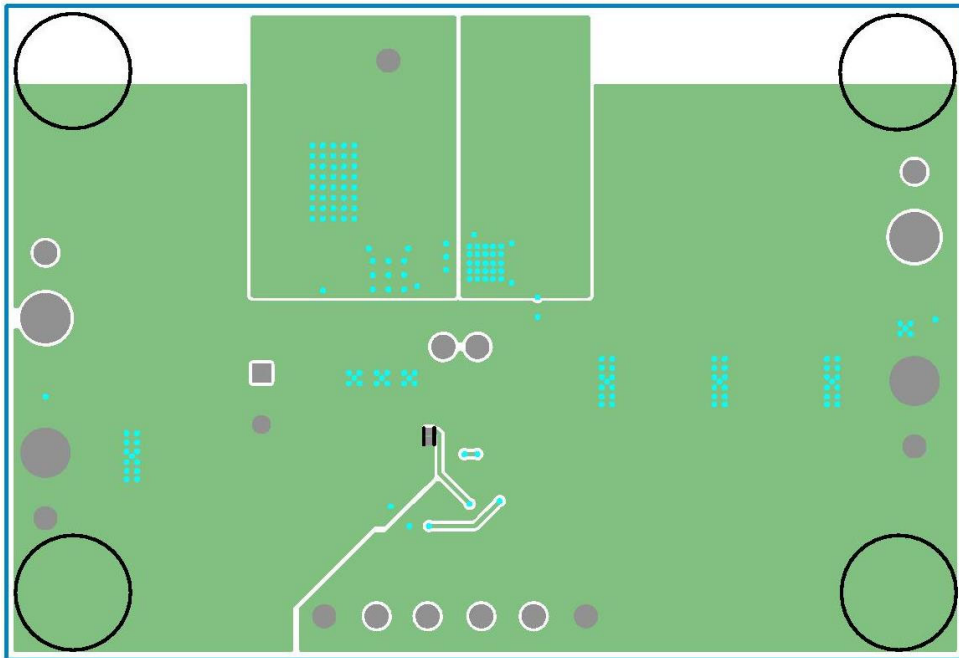


Figure 6. Bottom View

onsemi, **Onsemi**, and other names, marks, and brands are registered and/or common law trademarks of Semiconductor Components Industries, LLC dba "**onsemi**" or its affiliates and/or subsidiaries in the United States and/or other countries. **onsemi** owns the rights to a number of patents, trademarks, copyrights, trade secrets, and other intellectual property. A listing of **onsemi**'s product/patent coverage may be accessed at www.onsemi.com/site/pdf/Patent-Marking.pdf. **onsemi** is an Equal Opportunity/Affirmative Action Employer. This literature is subject to all applicable copyright laws and is not for resale in any manner.

The evaluation board/kit (research and development board/kit) (hereinafter the "board") is not a finished product and is not available for sale to consumers. The board is only intended for research, development, demonstration and evaluation purposes and will only be used in laboratory/development areas by persons with an engineering/technical training and familiar with the risks associated with handling electrical/mechanical components, systems and subsystems. This person assumes full responsibility/liability for proper and safe handling. Any other use, resale or redistribution for any other purpose is strictly prohibited.

THE BOARD IS PROVIDED BY ONSEMI TO YOU "AS IS" AND WITHOUT ANY REPRESENTATIONS OR WARRANTIES WHATSOEVER. WITHOUT LIMITING THE FOREGOING, ONSEMI (AND ITS LICENSORS/SUPPLIERS) HEREBY DISCLAIMS ANY AND ALL REPRESENTATIONS AND WARRANTIES IN RELATION TO THE BOARD, ANY MODIFICATIONS, OR THIS AGREEMENT, WHETHER EXPRESS, IMPLIED, STATUTORY OR OTHERWISE, INCLUDING WITHOUT LIMITATION ANY AND ALL REPRESENTATIONS AND WARRANTIES OF MERCHANTABILITY, FITNESS FOR A PARTICULAR PURPOSE, TITLE, NON-INFRINGEMENT, AND THOSE ARISING FROM A COURSE OF DEALING, TRADE USAGE, TRADE CUSTOM OR TRADE PRACTICE.

onsemi reserves the right to make changes without further notice to any board.

You are responsible for determining whether the board will be suitable for your intended use or application or will achieve your intended results. Prior to using or distributing any systems that have been evaluated, designed or tested using the board, you agree to test and validate your design to confirm the functionality for your application. Any technical, applications or design information or advice, quality characterization, reliability data or other services provided by **onsemi** shall not constitute any representation or warranty by **onsemi**, and no additional obligations or liabilities shall arise from **onsemi** having provided such information or services.

onsemi products including the boards are not designed, intended, or authorized for use in life support systems, or any FDA Class 3 medical devices or medical devices with a similar or equivalent classification in a foreign jurisdiction, or any devices intended for implantation in the human body. You agree to indemnify, defend and hold harmless **onsemi**, its directors, officers, employees, representatives, agents, subsidiaries, affiliates, distributors, and assigns, against any and all liabilities, losses, costs, damages, judgments, and expenses, arising out of any claim, demand, investigation, lawsuit, regulatory action or cause of action arising out of or associated with any unauthorized use, even if such claim alleges that **onsemi** was negligent regarding the design or manufacture of any products and/or the board.

This evaluation board/kit does not fall within the scope of the European Union directives regarding electromagnetic compatibility, restricted substances (RoHS), recycling (WEEE), FCC, CE or UL, and may not meet the technical requirements of these or other related directives.

FCC WARNING – This evaluation board/kit is intended for use for engineering development, demonstration, or evaluation purposes only and is not considered by **onsemi** to be a finished end product fit for general consumer use. It may generate, use, or radiate radio frequency energy and has not been tested for compliance with the limits of computing devices pursuant to part 15 of FCC rules, which are designed to provide reasonable protection against radio frequency interference. Operation of this equipment may cause interference with radio communications, in which case the user shall be responsible, at its expense, to take whatever measures may be required to correct this interference.

onsemi does not convey any license under its patent rights nor the rights of others.

LIMITATIONS OF LIABILITY: **onsemi** shall not be liable for any special, consequential, incidental, indirect or punitive damages, including, but not limited to the costs of requalification, delay, loss of profits or goodwill, arising out of or in connection with the board, even if **onsemi** is advised of the possibility of such damages. In no event shall **onsemi**'s aggregate liability from any obligation arising out of or in connection with the board, under any theory of liability, exceed the purchase price paid for the board, if any.

The board is provided to you subject to the license and other terms per **onsemi**'s standard terms and conditions of sale. For more information and documentation, please visit www.onsemi.com.

ADDITIONAL INFORMATION

TECHNICAL PUBLICATIONS:

Technical Library: www.onsemi.com/design/resources/technical-documentation
onsemi Website: www.onsemi.com

ONLINE SUPPORT: www.onsemi.com/support

For additional information, please contact your local Sales Representative at www.onsemi.com/support/sales