

AGB1N0CS-GEVK

Demo 3 Evaluation Board User's Manual



ON Semiconductor®

www.onsemi.com

Demo 3 Evaluation Board Overview

The Demo 3 Baseboard is used to connect to headboards and interface with a host PC in order to demonstrate the features of ON Semiconductor's image sensor products.

Features

- High-Bandwidth USB 3.0 Interface
- Altera Arria II GX FPGA
- HDMI® Transmitter
- 1 Gb Memory Buffer
- Up to 4-Lane MIPI and HiSPi Interfaces
- CCP and Parallel Interfaces
- I²C Control Unit

Block Diagram

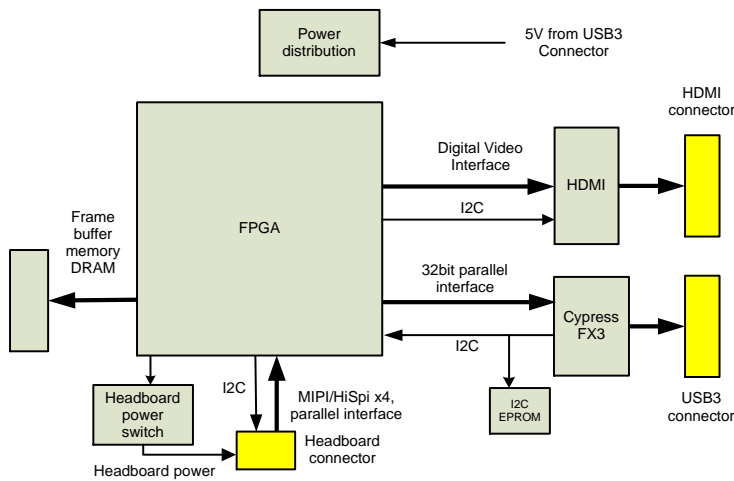


Figure 2. Block Diagram of AGB1N0CS-GEVK

EVAL BOARD USER'S MANUAL



Top View



Bottom View

Figure 1. AGB1N0CS Evaluation Board

AGB1N0CS-GEVK

Top View

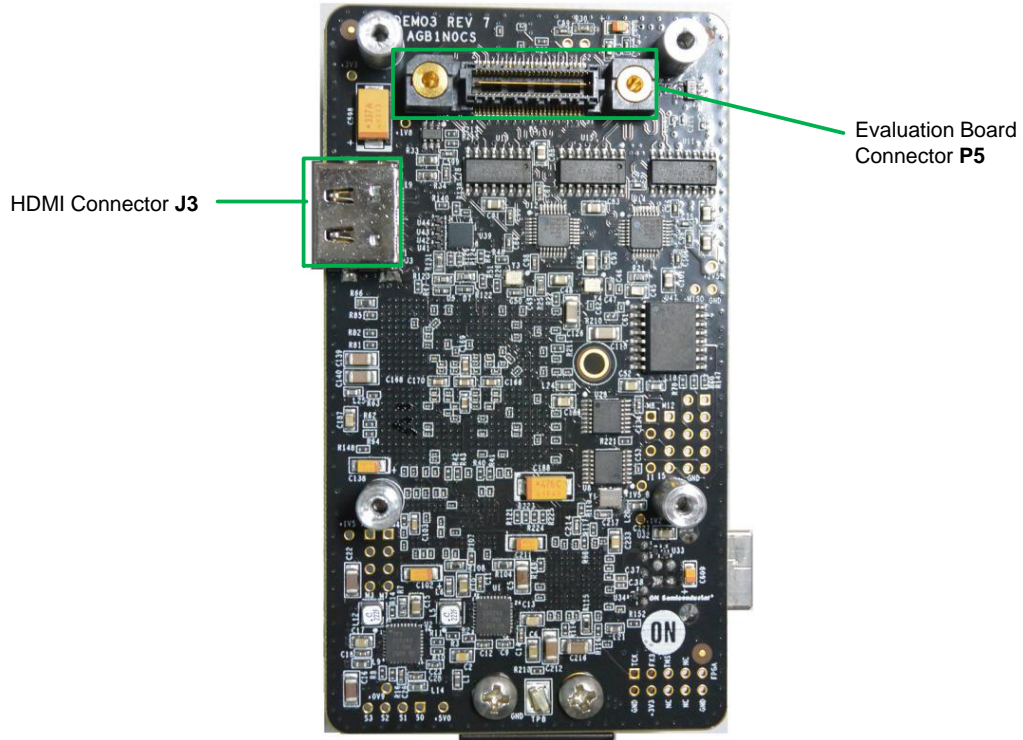


Figure 3. Top View of Demo 3 with Connectors

Bottom View

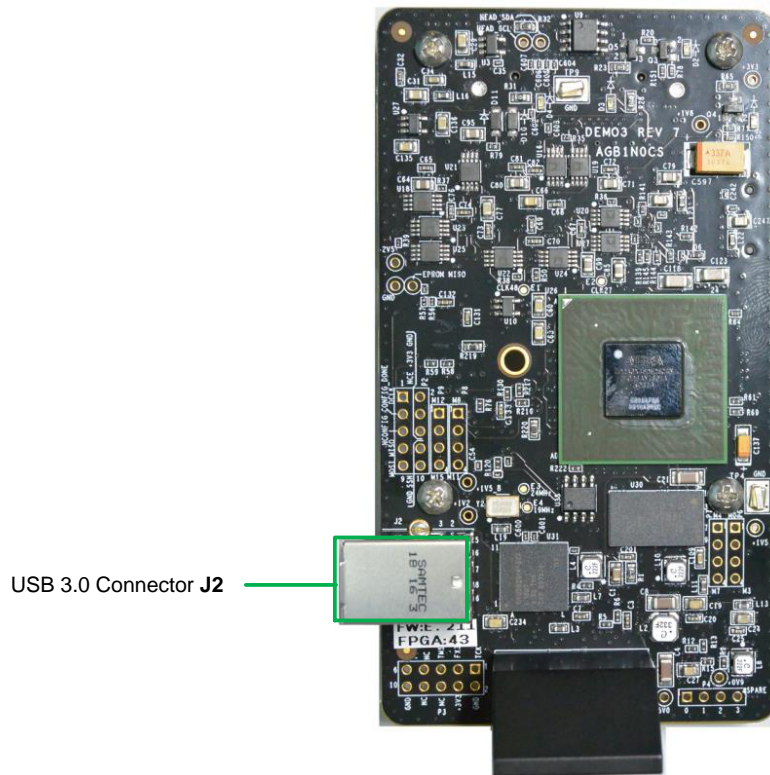


Figure 4. Bottom View of Demo 3 with Test Pins and Connectors

AGB1N0CS–GEVK

Demo 3 Baseboard Function Overview

The Demo 3's FPGA, Altera's EP2AGX45DF25C4N, provides an interface between ON Semiconductor imaging sensors and the Cypress FX3 USB 3.0 controller. An

external SPI EPROM contains the programming file for the FPGA. The EPROM is configurable using the FX3 SPI master interface. The FPGA has a memory controller block that controls data from the on-board DDR3 SDRAM.

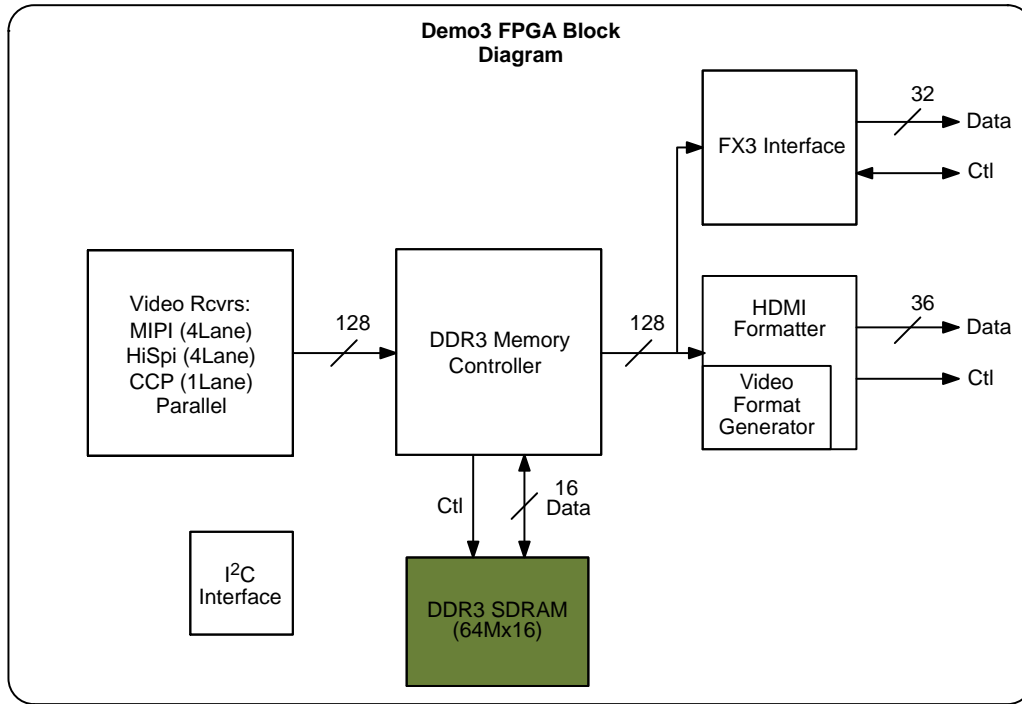


Figure 5. FPGA Block Diagram

FPGA Frame Buffer

The 1Gb frame buffer using a 64Mbx16 matches data rates between the sensor and FX3 interfaces. It is sized to buffer 3 frames of a 20-Megapixel sensor. There is a triple-buffer to help minimize frame loss. The frame buffer has two principal operating modes that support either self-timed operation or direct interface to the FX3 at HDMI video output of 720p 60 or 1080p 60 frame rates. The frame buffer controller runs at 150 MHz FPGA core clock with peak available bandwidth at 750-Megapixels/second, peak input bandwidth of 400-Megapixels/second, and peak output bandwidth of 200-Megapixels/second. The frame buffer can be configured to operate as a frame capture device, with the entire buffer filled prior to sending data to the FX3 interface.

Receivers and Data Rates

The FPGA receives data through MIPI, HiSPi, CCP, and parallel interfaces. Each of these receiver blocks has an output FIFO that moves data from the receiver clock to the 150 MHz FPGA core clock.

MIPI Receiver:

The MIPI receiver handles 4 lanes of data at a maximum data rate of 768 Mbps/lane. The signal pairs use both single-ended and differential signaling with accordance to the MIPI Alliance Specification for D-PHY v.1.00.00.

HiSPi Receiver:

The HiSPi receiver supports high-speed transmission of image sensor data, operating at 1 Gbps per data lane. It is a unidirectional differential serial interface with four data lanes and one DDR clock lane. It supports Streaming-S, Streaming-SP, and Packetized SP protocols that conform to the HiSPi protocol specification v.1.50.00.

CCP Receiver:

The CCP receiver is a single-lane data interface that supports 8-, 10-, or 12-bit raw data. It operates with a maximum serial data rate of at least 640 Mbps. The receiver conforms to the SMIA CCP2 1.0 specification.

Parallel Receiver:

The parallel receiver allows asynchronous switching between driven and high-Z under pin or register control. The receiver supports 10 or 12 bits of data, running at a pixel rate of at least 125 MHz.

HDMI Transmitter

The HDMI transmitter utilizes the ADV7526 chip by Analog Devices to transmit HDMI 34-bit data to the output port. The HDMI interface supports the HDMI 1.4 standard with 12-bit deep color. It supports RGB and YCbCr digital video input. The I²C device address is 0x72 and accesses registers inside the HDMI transmitter block.

AGB1N0CS–GEVK

FX3 USB 3.0 Interface

The Cypress FX3 has a 32-bit data interface that is transceived to the differential I/O pins on the transmitters/receivers of the FPGA. The maximum data rate of the interface is 5 Gb/s.

I²C Control Bus

The I²C control bus supports 32-bit wide GPIF II data bus and supports 14 configurable control pins. The control bus supports bus frequencies of 100 kHz, 400 kHz, and 1 MHz. Operational mode control is done through software configuration using the I²C interface from the controller. The I²C HDMI chip address is 0x72, and clock generator address is 0xD2. The system EEPROM is 0xA0 and t is configurable up to 0xAx using software.

Interfacing to Demo 3 Headboard

The headboard connector has a serial sensor data input interface, I²C control interface, power input, and parallel image data interface.

HiSPi Interface

The High Speed Serial Pixel (HiSPi) interface uses four differential data lanes and one differential clock as output and it is unidirectional. In HiSPi mode, 12- or 14-bit compressed, or 16-bit linearized data may be output. Only linear mode is supported on this interface. The HiSPi interface supports three protocols: Streaming–S, Streaming–SP, and Packetized SP.

MIPI Interface

The MIPI interface implements a serial differential sub-LVDS transmitter that supports multiple formats, error checking, and custom short packets. The interface is designed to MIPI D–PHY v1.0. When the sensor is in software standby system state, the MIPI signals enter ultra low-power state according to their nominal 0 V levels.

Serial LVDS Interface

The serial LVDS (low-voltage differential signal) interface uses four differential data lanes and one differential clock as output and it is unidirectional. In Serial LVDS mode, 8- or 10-bit compressed, or 12-bit linearized data may be output. Only linear mode is supported on this interface.

Parallel Interface

The parallel mode interface outputs 10- or 12-bit raw data for linear mode and 10- or 12-bit compressed data in High Dynamic Range, depending on the board. In this mode, FRAME_VALID and LINE_VALID signals are output on dedicated pins, along with a synchronized pixel clock two-wire serial interface.

Two-Wire Serial Interface

Some boards support a two-wire serial interface. The interface supports two modes of operation: 100 kHz for Standard mode, and 400 kHz for High-speed mode.

Table 1. 52-PIN CONNECTOR TO HEADBOARD FUNCTION DESCRIPTION (P5)

Pin	Name	Description	DIR	Comment
1	MH_DATA1_P	MIPI/HiSPi Data1+	Out	MIPI/HiSPi Data1+ Signal
2	MH_DATA2_P	MIPI/HiSPi Data2+	Out	MIPI/HiSPi Data2+ Signal
3	MH_DATA1_N	MIPI/HiSPi Data1–	Out	MIPI/HiSPi Data1– Signal
4	MH_DATA2_N	MIPI/HiSPi Data2–	Out	MIPI/HiSPi Data2– Signal
5	S_RESERVED1	General Reserved Signal 1	Out	Signal @ +3.3 V Level
6	MH_DATA3_P	MIPI/HiSPi Data3+	Out	MIPI/HiSPi Data3+ Signal
7	HEAD_MOSI	Master OOT, Slave IN Signal	I/O	Signal @ +3.3 V Level
8	MH_DATA3_N	MIPI/HiSPi Data3–	Out	MIPI/HiSPi Data3– Signal
9	S_DATA1	Parallel Data1	I/O	Parallel Interface Data Bit
10	S_DATA0	Parallel Data0	I/O	Parallel Interface Data Bit
11	S_DATA3	Parallel Data3	I/O	Parallel Interface Data Bit
12	S_DATA2	Parallel Data2	I/O	Parallel Interface Data Bit
13	S_DATA5	Parallel Data5	I/O	Parallel Interface Data Bit
14	S_DATA4	Parallel Data4	I/O	Parallel Interface Data Bit
15	VDDIO_SENSE	Reference Input for I/O Voltage	PWR	Lets Demo3 Set Voltage Level
16	S_DATA6	Parallel Data6	I/O	Parallel Interface Data Bit
17	S_DATA7	Parallel Data7	I/O	Parallel Interface Data Bit
18	S_DATA8	Parallel Data8	I/O	Parallel Interface Data Bit
19	S_DATA9	Parallel Data9	I/O	Parallel Interface Data Bit
20	S_DATA10	Parallel Data10	I/O	Parallel Interface Data Bit
21	S_DATA11	Parallel Data11	I/O	Parallel Interface Data Bit

AGB1N0CS–GEVK

Table 1. 52-PIN CONNECTOR TO HEADBOARD FUNCTION DESCRIPTION (P5) (continued)

Pin	Name	Description	DIR	Comment
22	S_DATA12	Parallel Data12	I/O	Parallel Interface Data Bit
23	S_DATA13	Parallel Data13	I/O	Parallel Interface Data Bit
24	S_DATA14	Parallel Data14	I/O	Parallel Interface Data Bit
25	S_DATA15	Parallel Data15	I/O	Parallel Interface Data Bit
26	S_SP5	General Control Signal 5	In	Signal @ +3.3 V Level
27	S_SP0	General Control Signal 0	In	Signal @ +3.3 V Level
28	S_SP1	General Control Signal 1	In	Signal @ +3.3 V Level
29	S_LINE_VALID	Serial Line Valid Signal	Out	Checks if Data has Valid Line
30	S_SP3	General Control Signal 3	In	Signal @ +3.3 V Level
31	HEAD_RESET_L	Reset Signal to Headboard	Out	Resets the Headboard Sensor
32	S_SP4	General Control Signal 4	In	Signal @ +3.3 V Level
33	S_SP2	General Control Signal 2	In	Signal @ +3.3 V Level
34	HEAD_SSN	Headboard Slave Signal	In	SPI Slave Signal to Headboard
35	S_FRAME_VALID	Parallel Frame Valid Signal	Out	Checks if Data has Valid Frame
36	S_PIXCLK	Pixel Clock	Out	Parallel Data Pixel Clock
37	HEAD_SDA	I ² C Data to Sensor	I/O	Signal @ +3.3 V Level
38	+2V8_VAA_HEAD	+2.8 V to V _{AA} on Headboard	PWR	For Powering Up the Headboard
39	+5V0_HEAD	+5 V to Headboard	PWR	For Powering Up the Headboard
40	S_RESERVED0	General Reserved Signal 0	In	Signal @ +3.3 V Level
41	HEAD_MISO	Master IN, Slave OUT Signal	I/O	Signal @ +3.3 V Level
42	+1V8_HEAD	+1.8 V to Headboard	PWR	For Powering Up the Headboard
43	HEAD_SCL	I ² C Clock to Sensor	Out	Signal @ +3.3 V Level
44	MCLK	Master Clock	In	Signal @ +3.3 V Level
45	HEAD_DCLK	Differential Clock Signal	In	Signal @ +3.3 V Level
46	+1V2_HEAD	+1.2 V to Headboard	PWR	For Powering Up the Headboard
47	+3V3_HEAD	+3.3 V to Headboard	PWR	For Powering Up the Headboard
48	+2V8_VDDIO_HEAD	+2.8 V to Headboard	PWR	For Powering Up the Headboard
49	MH_DATA0_P	MIPI/HiSPi Data0+	Out	MIPI/HiSPi Data0+ Signal
50	MH_CLK_N	MIPI/HiSPi Clock–	Out	MIPI/HiSPi Clock– Signal
51	MH_DATA0_N	MIPI/HiSPi Data0–	Out	MIPI/HiSPi Data0– Signal
52	MH_CLK_P	MIPI/HiSPi Clock+	Out	MIPI/HiSPi Clock+ Signal

FPGA, HDMI Chip, USB 3.0 Chip:

FPGA: Altera Arria II GX (EP2AGX45DF25C4N)

HDMI Chip: Analog Device Low-Power HDMI Transmitter (ADV7526)

USB 3.0 Chip: Cypress FX3 (CYUSB3014–BZX)

HDMI is a registered trademark of HDMI Licensing, LLC.

onsemi, **Onsemi**, and other names, marks, and brands are registered and/or common law trademarks of Semiconductor Components Industries, LLC dba "**onsemi**" or its affiliates and/or subsidiaries in the United States and/or other countries. **onsemi** owns the rights to a number of patents, trademarks, copyrights, trade secrets, and other intellectual property. A listing of **onsemi**'s product/patent coverage may be accessed at www.onsemi.com/site/pdf/Patent-Marking.pdf. **onsemi** is an Equal Opportunity/Affirmative Action Employer. This literature is subject to all applicable copyright laws and is not for resale in any manner.

The evaluation board/kit (research and development board/kit) (hereinafter the "board") is not a finished product and is not available for sale to consumers. The board is only intended for research, development, demonstration and evaluation purposes and will only be used in laboratory/development areas by persons with an engineering/technical training and familiar with the risks associated with handling electrical/mechanical components, systems and subsystems. This person assumes full responsibility/liability for proper and safe handling. Any other use, resale or redistribution for any other purpose is strictly prohibited.

THE BOARD IS PROVIDED BY ONSEMI TO YOU "AS IS" AND WITHOUT ANY REPRESENTATIONS OR WARRANTIES WHATSOEVER. WITHOUT LIMITING THE FOREGOING, ONSEMI (AND ITS LICENSORS/SUPPLIERS) HEREBY DISCLAIMS ANY AND ALL REPRESENTATIONS AND WARRANTIES IN RELATION TO THE BOARD, ANY MODIFICATIONS, OR THIS AGREEMENT, WHETHER EXPRESS, IMPLIED, STATUTORY OR OTHERWISE, INCLUDING WITHOUT LIMITATION ANY AND ALL REPRESENTATIONS AND WARRANTIES OF MERCHANTABILITY, FITNESS FOR A PARTICULAR PURPOSE, TITLE, NON-INFRINGEMENT, AND THOSE ARISING FROM A COURSE OF DEALING, TRADE USAGE, TRADE CUSTOM OR TRADE PRACTICE.

onsemi reserves the right to make changes without further notice to any board.

You are responsible for determining whether the board will be suitable for your intended use or application or will achieve your intended results. Prior to using or distributing any systems that have been evaluated, designed or tested using the board, you agree to test and validate your design to confirm the functionality for your application. Any technical, applications or design information or advice, quality characterization, reliability data or other services provided by **onsemi** shall not constitute any representation or warranty by **onsemi**, and no additional obligations or liabilities shall arise from **onsemi** having provided such information or services.

onsemi products including the boards are not designed, intended, or authorized for use in life support systems, or any FDA Class 3 medical devices or medical devices with a similar or equivalent classification in a foreign jurisdiction, or any devices intended for implantation in the human body. You agree to indemnify, defend and hold harmless **onsemi**, its directors, officers, employees, representatives, agents, subsidiaries, affiliates, distributors, and assigns, against any and all liabilities, losses, costs, damages, judgments, and expenses, arising out of any claim, demand, investigation, lawsuit, regulatory action or cause of action arising out of or associated with any unauthorized use, even if such claim alleges that **onsemi** was negligent regarding the design or manufacture of any products and/or the board.

This evaluation board/kit does not fall within the scope of the European Union directives regarding electromagnetic compatibility, restricted substances (RoHS), recycling (WEEE), FCC, CE or UL, and may not meet the technical requirements of these or other related directives.

FCC WARNING – This evaluation board/kit is intended for use for engineering development, demonstration, or evaluation purposes only and is not considered by **onsemi** to be a finished end product fit for general consumer use. It may generate, use, or radiate radio frequency energy and has not been tested for compliance with the limits of computing devices pursuant to part 15 of FCC rules, which are designed to provide reasonable protection against radio frequency interference. Operation of this equipment may cause interference with radio communications, in which case the user shall be responsible, at its expense, to take whatever measures may be required to correct this interference.

onsemi does not convey any license under its patent rights nor the rights of others.

LIMITATIONS OF LIABILITY: **onsemi** shall not be liable for any special, consequential, incidental, indirect or punitive damages, including, but not limited to the costs of requalification, delay, loss of profits or goodwill, arising out of or in connection with the board, even if **onsemi** is advised of the possibility of such damages. In no event shall **onsemi**'s aggregate liability from any obligation arising out of or in connection with the board, under any theory of liability, exceed the purchase price paid for the board, if any.

The board is provided to you subject to the license and other terms per **onsemi**'s standard terms and conditions of sale. For more information and documentation, please visit www.onsemi.com.

PUBLICATION ORDERING INFORMATION

LITERATURE FULFILLMENT:

Email Requests to: orderlit@onsemi.com

onsemi Website: www.onsemi.com

TECHNICAL SUPPORT

North American Technical Support:

Voice Mail: 1 800-282-9855 Toll Free USA/Canada

Phone: 011 421 33 790 2910

Europe, Middle East and Africa Technical Support:

Phone: 00421 33 790 2910

For additional information, please contact your local Sales Representative