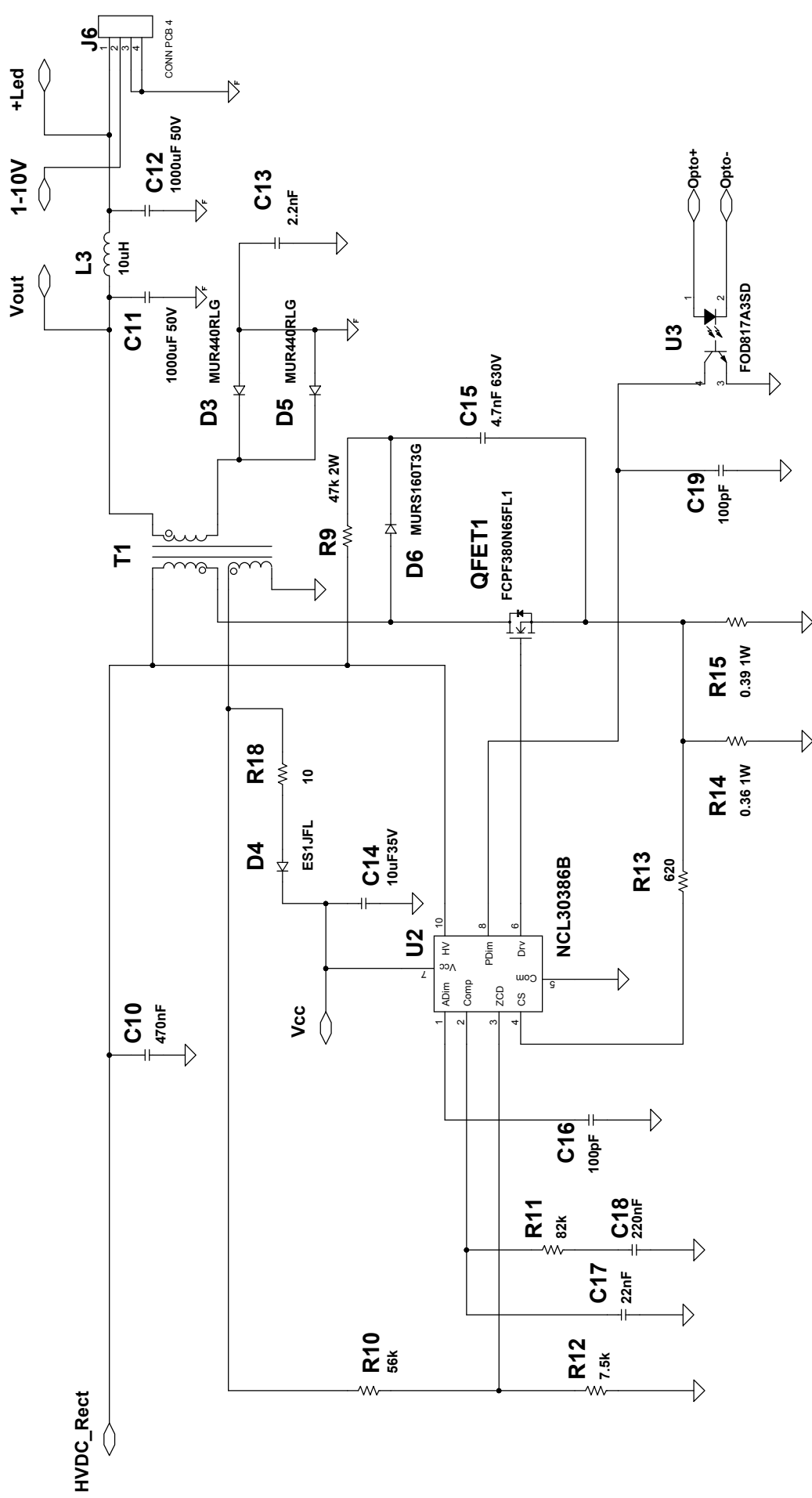
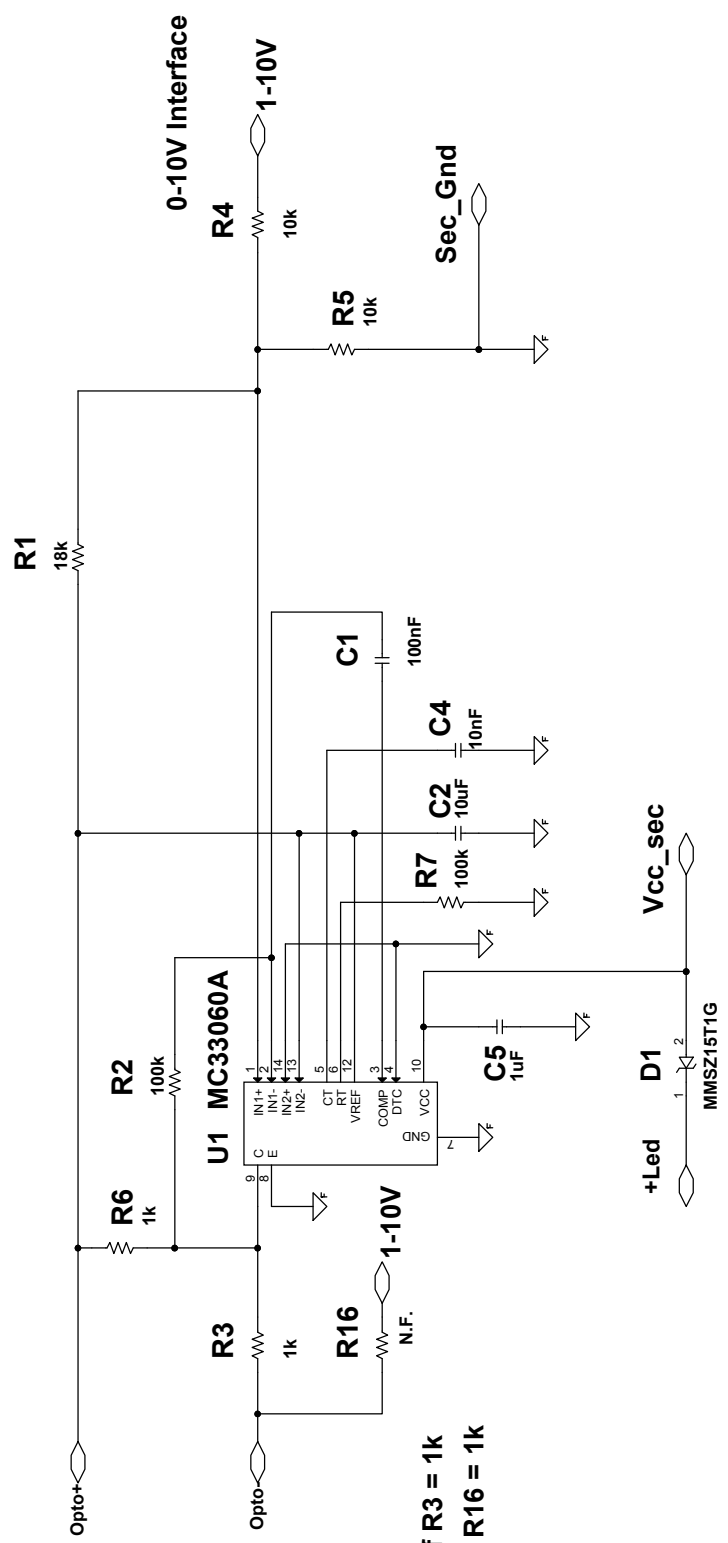


Title		On Semiconductor	
Size		Input	
Document Number	NCL30386	60W Flyback	Rev 03
Date:	Thursday, March 14, 2019	Sheet 2	of 3



Title		On Semiconductor	
Size		Main Power Stage	
Document Number		NCL30386 60W Flyback	
Rev		03	
Date:		14 Mar 2019	
Sheet		3 of 3	



1-10V Dimming Stuff R3 = 1k
 PWM Dimming Stuff R16 = 1k

Title		On Semiconductor
Size		B
Document Number		NCL30386 60W Flyback
Rev		03
Date:	14-Mar-2019	Sheet 1 of 3