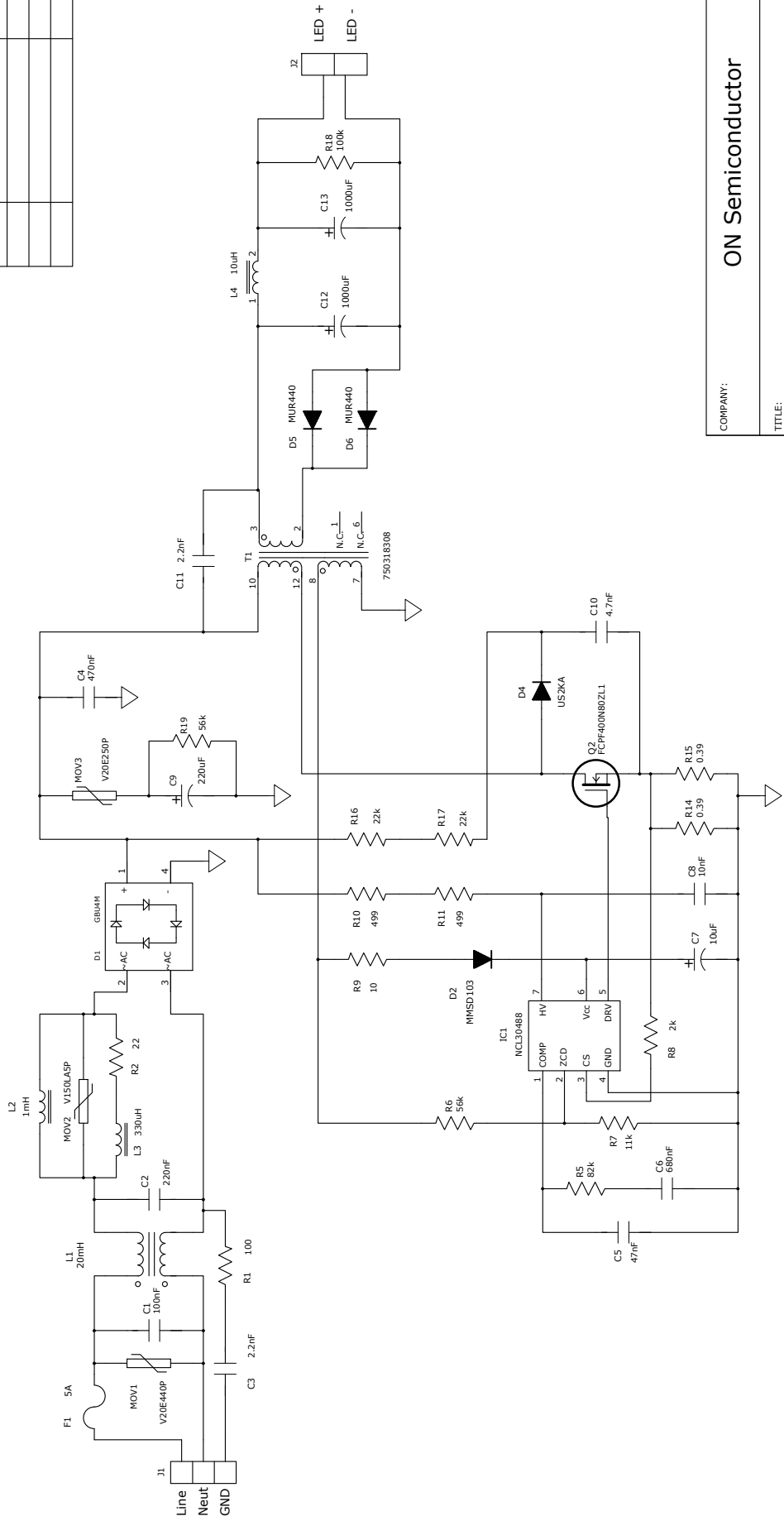


REVISION RECORD		
LTR	ECO NO:	APPROVED:

6 5 4 3 2 1



COMPANY: ON Semiconductor

TITLE:

NCL30488 EESL 75W Demo

DRAWN:	JR Young	DATED:	24 Jan 2020
CHECKED:	JR Young	DATED:	27 Jan 2020
QUALITY CONTROL:		DATED:	
RELEASED:		DATED:	

CODE:		DRAWING NO:	NCL30488
SIZE:	B	REV:	5

SCALE:	1:1	SHEET:	1 of 1
--------	-----	--------	--------