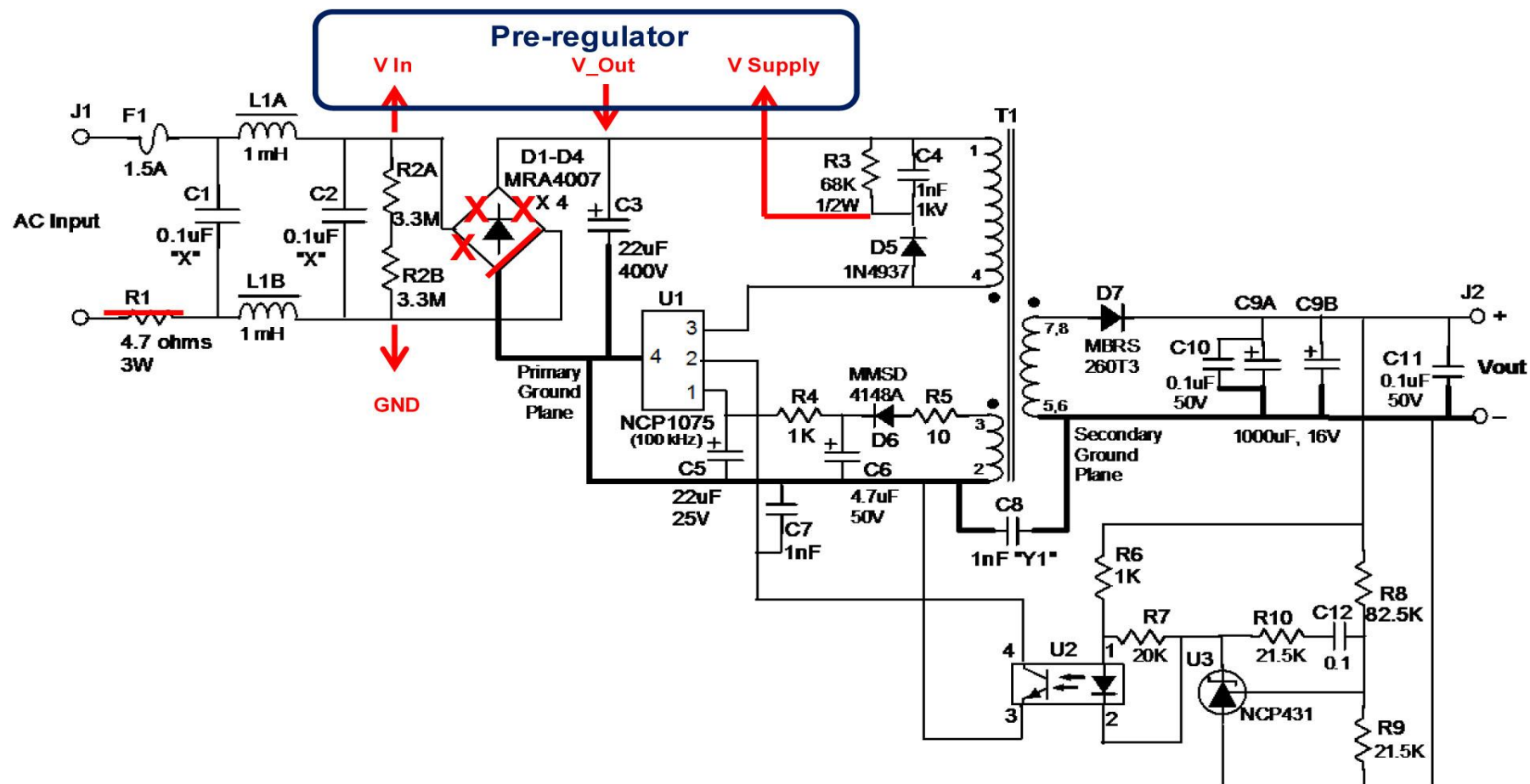




### Schematic for the NCP1075PREGEVK





### Schematic for the Pre-Regulator

