

REVISION RECORD			
LTR	ECO NO:	APPROVED:	DATE:

COMPANY: ON Semiconductor

TITLE: NCP1632 Evaluation Board Schematic

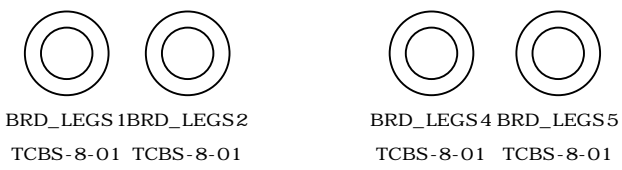
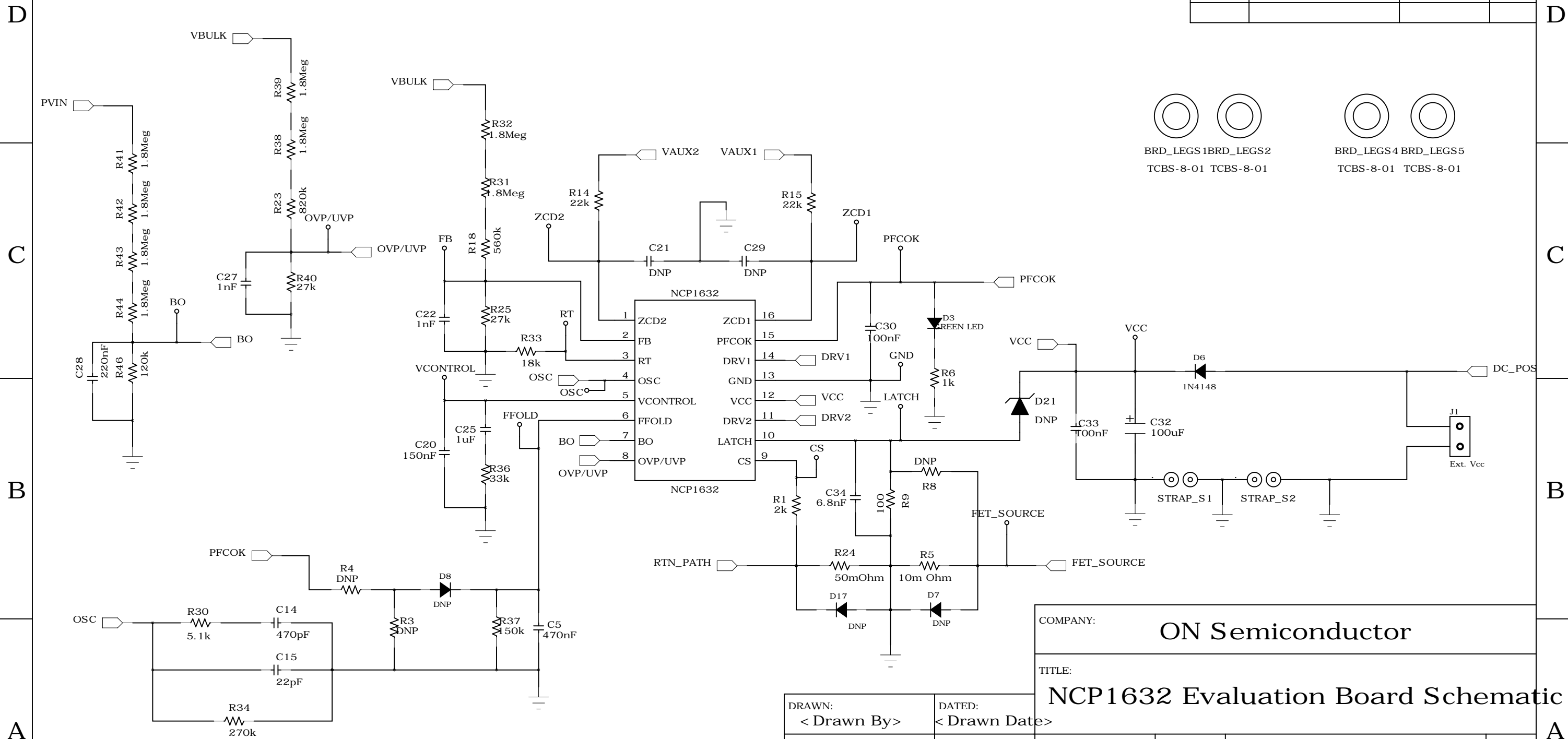
DRAWN: < Drawn By >	DATED: < Drawn Date >
CHECKED: < Checked By >	DATED: < Checked Date >
QUALITY CONTROL: < QC By >	DATED: < QC Date >
RELEASED: < Released By >	DATED: < Release Date >

CODE:	SIZE:	DRAWING NO:	REV:
< Code >	< Drawing Number >	< Revision >	

SCALE: < Scale > SHEET: 1 OF 2

6 5 4 3 2 1

REVISION RECORD			
LTR	ECO NO:	APPROVED:	DATE:



COMPANY: ON Semiconductor

TITLE: NCP1632 Evaluation Board Schematic

DRAWN: < Drawn By >	DATED: < Drawn Date >
CHECKED: < Checked By >	DATED: < Checked Date >
QUALITY CONTROL: < QC By >	DATED: < QC Date >
RELEASED: < Released By >	DATED: < Release Date >

CODE:	SIZE:	DRAWING NO:	REV:
< Code >	< Drawing Number >	< Revision >	
SCALE: < Scale >			SHEET: 2 OF 2