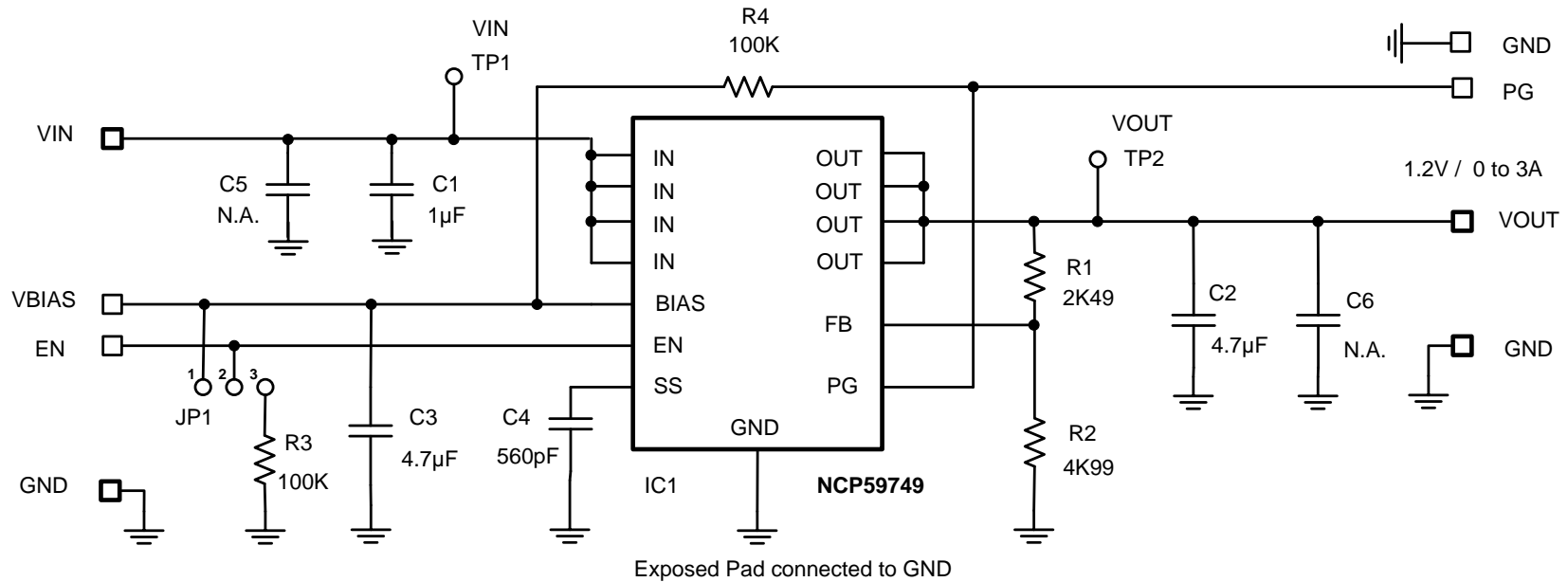


Schematic for the NCP59749MN2ADJTBGEVB Evaluation Board



Jumper JP1 setup:

- | | | |
|-------|--------------------|--|
| 1 2 3 | all pins open | = Demo Board controlled by voltage on the Enable input pin |
| 1-2 3 | pins1 and 2 joined | = Demo Board allways ON. Do not connect the Enable input pin to any external voltage. |
| 1 2-3 | pins2 and 3 joined | = Demo Board controlled by voltage on the Enable input pin with Pull Down Resistor to GND. |