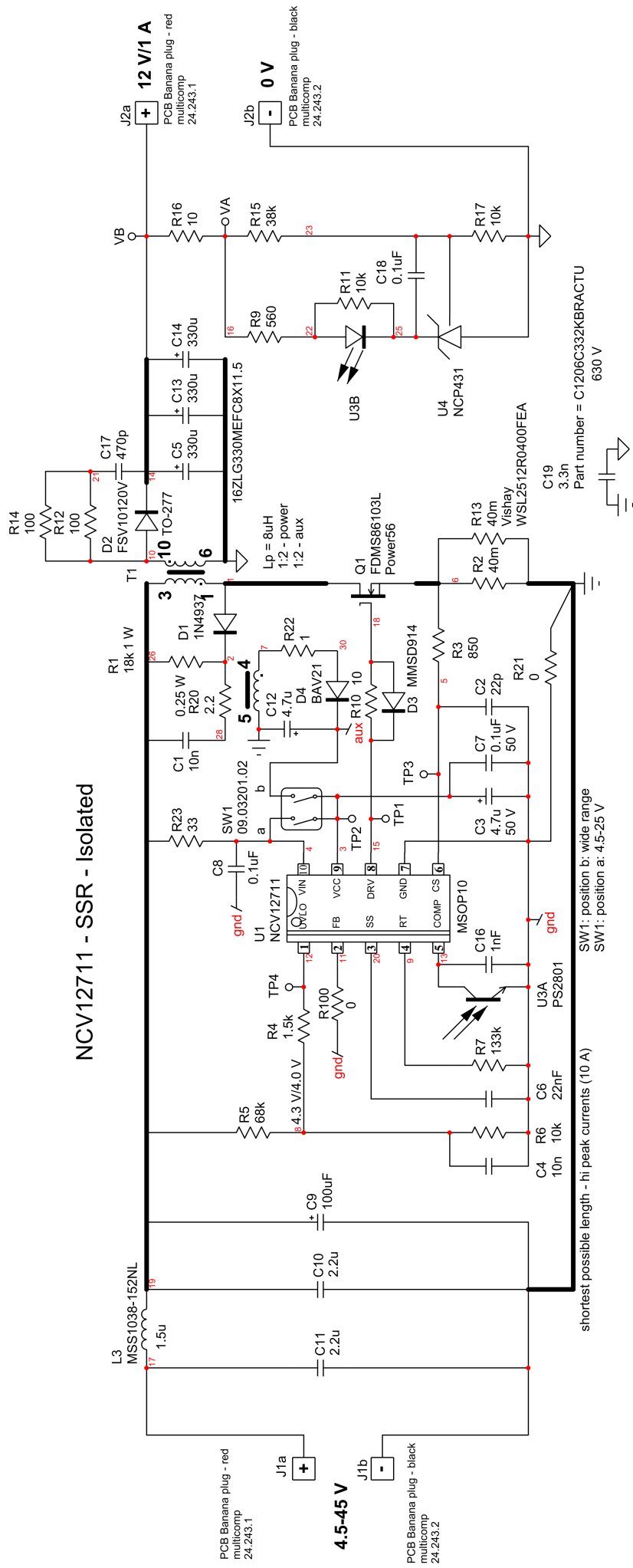


NCV12711 - SSR - Isolated



shortest possible length - hi peak currents (10 A)
 SW1: position b: wide range
 SW1: position a: 4.5-25 V

Part number = C1206C332KBRACU
 630 V

J1a +
 PCB Banana plug - red
 multicomp
 24.243.1

4.5-45 V

J1b -
 PCB Banana plug - black
 multicomp
 24.243.2

J2a +
 12 V/1 A
 PCB Banana plug - red
 multicomp
 24.243.1

J2b -
 0 V
 PCB Banana plug - black
 multicomp
 24.243.2