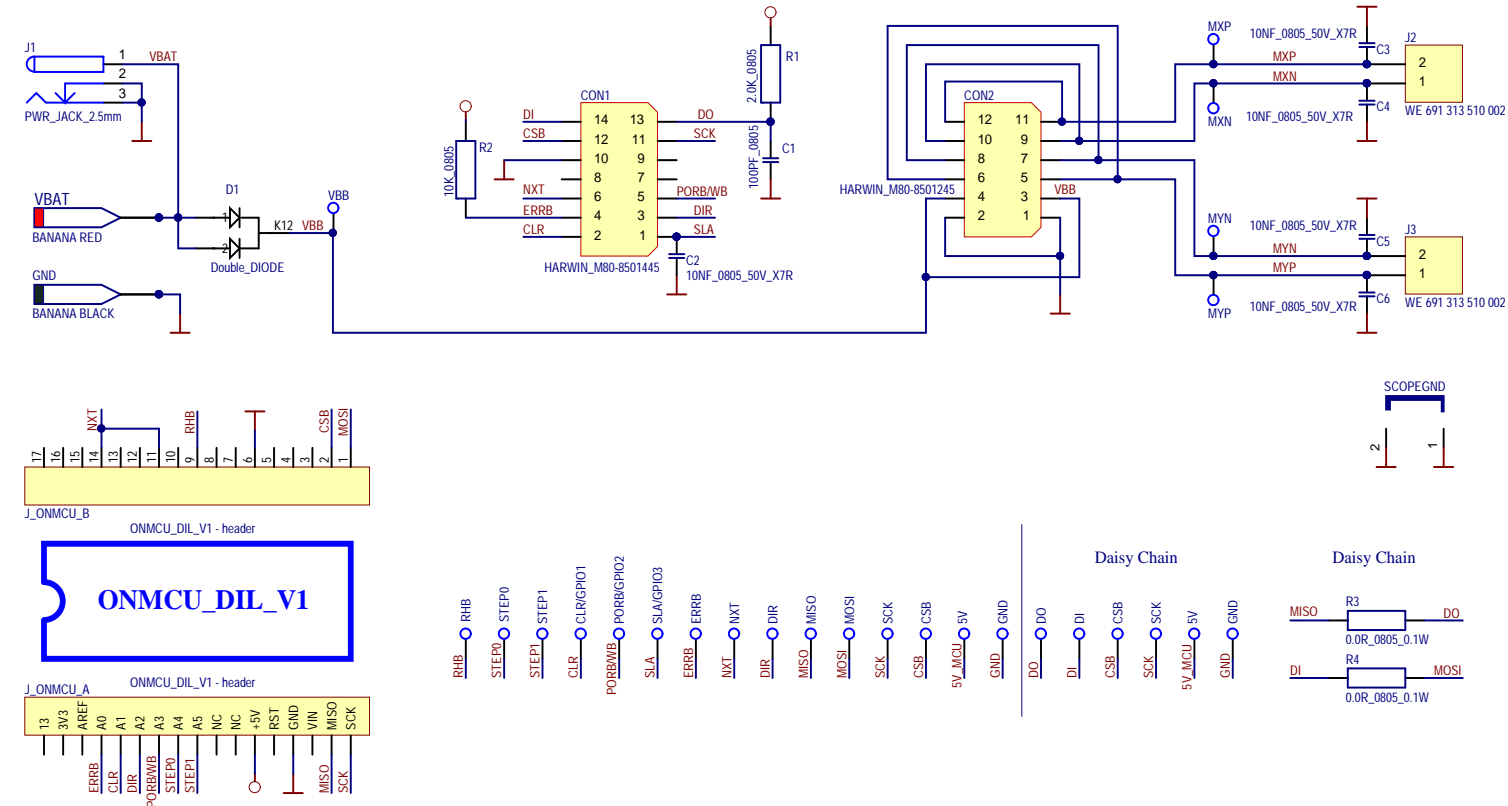


SPI Stepper Driver EVK ver 1.0



		ON SEMICONDUCTOR Automotive Products Division Videnska 204/125 619 00 Bno Czech Republic	
		PROJECT	SPI Stepper Driver EVK ver 1.0
SCHEMATIC		SPI_Stepper_Driver_EVK_ver_1.0.SchDoc	
CUSTOMER		ON Semiconductor	AUTHOR Jindrich Vecera
Size A3	REV. A	SHEET No. 1	TOTAL SHEETS 1
TIMESTAMP		9/25/2020 2:56:04 PM	