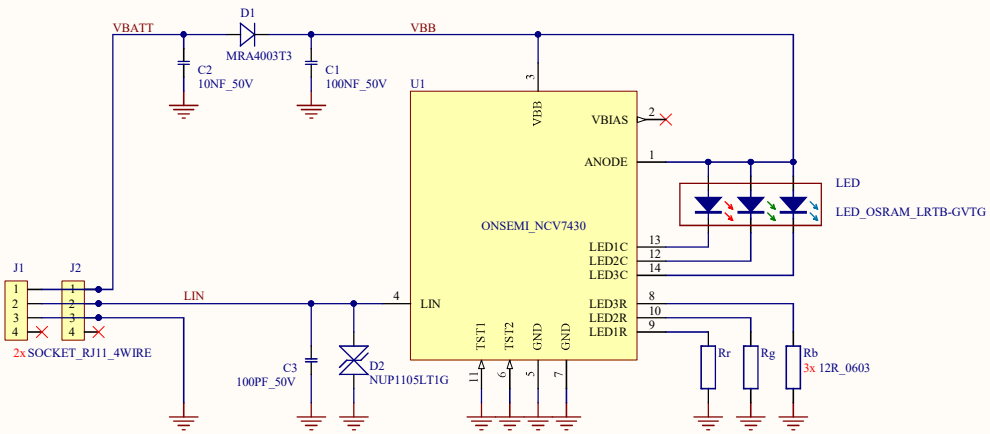


LIN RGB LED DRIVER NCV7430



NCV7430 EVB V2

ON SEMI

Title		ON Design Czech s.r.o		ON
Customer:				
Size	Number			
B	NCV7430_EVB_V2.SchDoc			
Date	7/10/2020	Sheet	1 of 1	Revision
File	NCV7430_EVB_V2.SchDoc	Drawn by:	Flip Britan	1

1

2

3

4