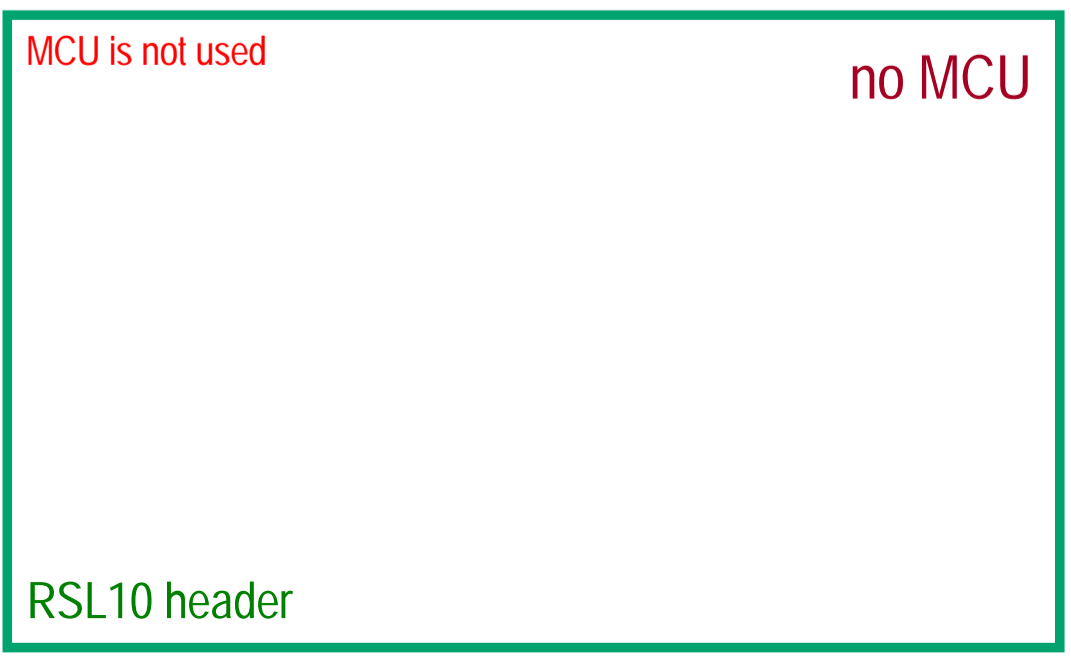
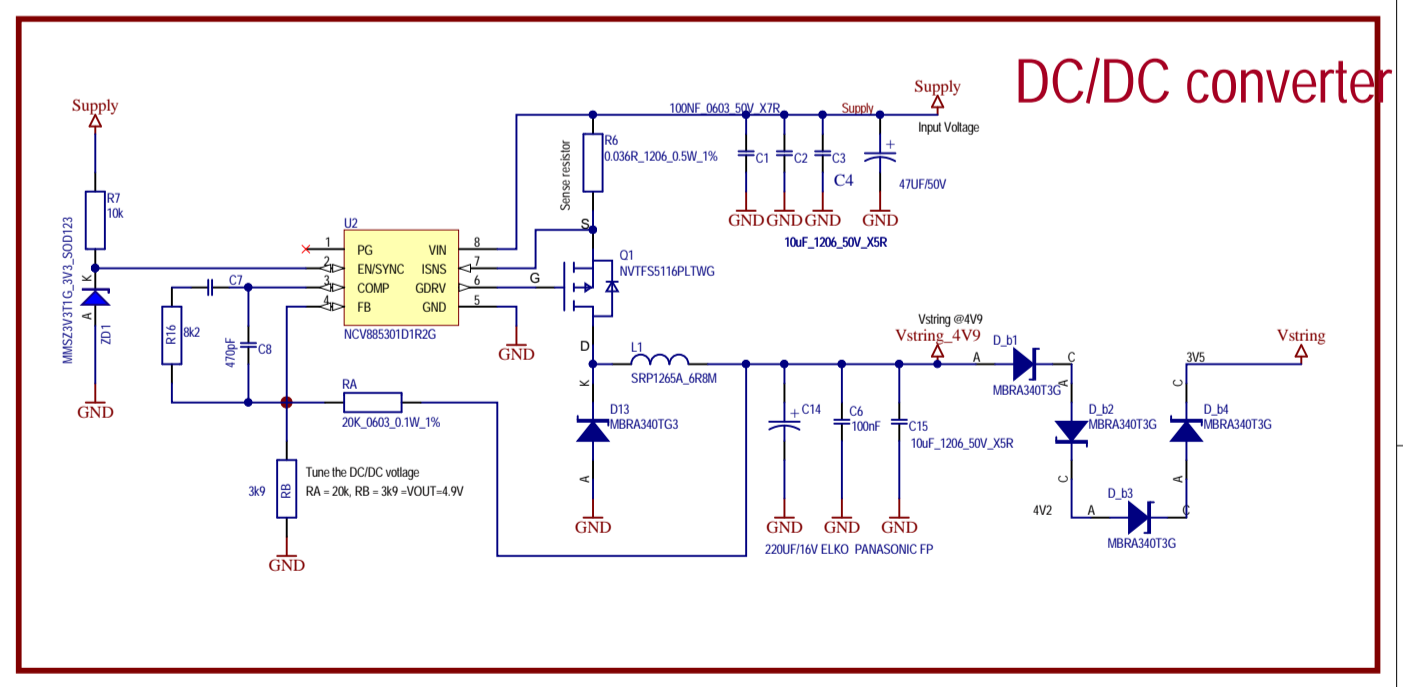


Vf LEDs (typ) RED	=	1.93V * 2 = 3.9V	Vstring_4V9
Vf LEDs (typ) YELLOW	=	2.15V	VSTRING
Vf LEDs (typ) WHITE	=	3.30V	Vstring_4V9
VDCDC (Normal)	=	4.9V	
Vf hDiode(typ)	=	0.35V max 0.5V min 0.3V	
VSTR	=	3.5V	
Vdrop RED	=	4.9-3.9V = 1.0V	
Vdrop Yellow	=	1.35V	
Vdrop White	=	1.6V	
DIAGEN threshold:	=	4.17 - 4.4 - 4.62V from VSTRING	
OEN > 0.5V for tp. DIAGEN threshold			



Board	Pin1	Pin2
SC5, SC6, SC7, SC8 SCREW_M3_10mm	SP9, SP10, SP11, SP12 SPACER_3.0M_5.0mm	SPACER_3.0M_10mm
SP5, SP6, SP7, SP8 SPACER_3.0M_10mm	SP1, SP2, SP3, SP4 SPACER_3.0M_10mm	
	SCOPEGND1, SCOPEGND2 SCOPEGND_D3082F05	

ON SEMICONDUCTOR  
PROJECT: NCV7685\_EVB\_V3-HighEnd  
SCHEMATIC: NCV7685\_EVB\_V3-LOW.SchDoc  
CUSTOMER: <Customer> AUTHOR: L.Bazant  
Size: A3 REV: A SHEET No: 1 TOTAL SHEETS: 3 TIMESTAMP: 26-Apr-21 13:56:58