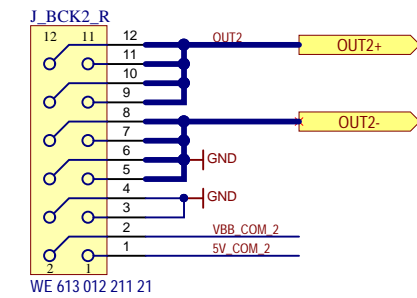
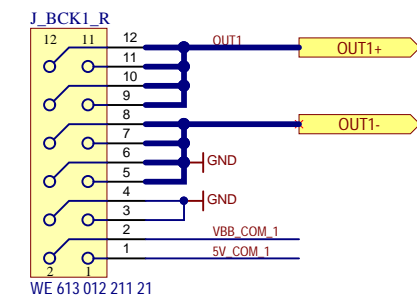
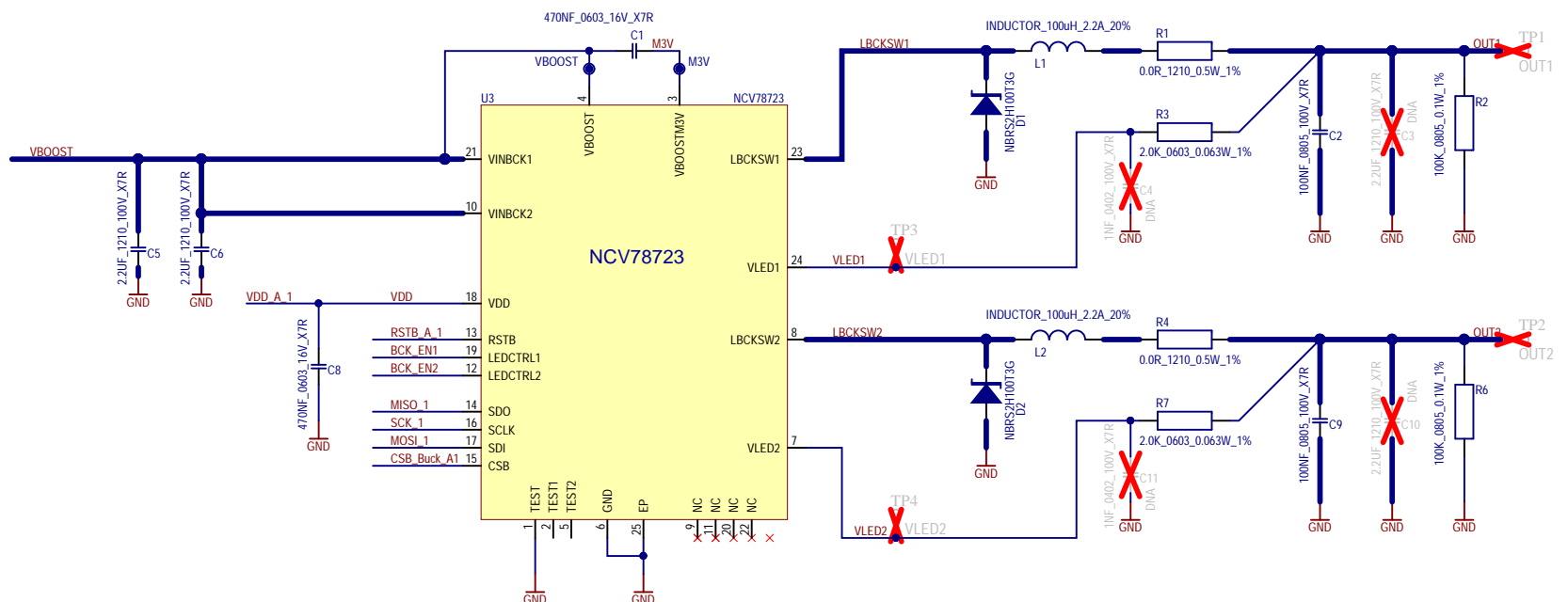
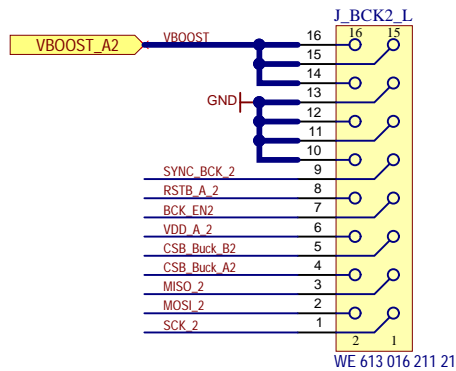
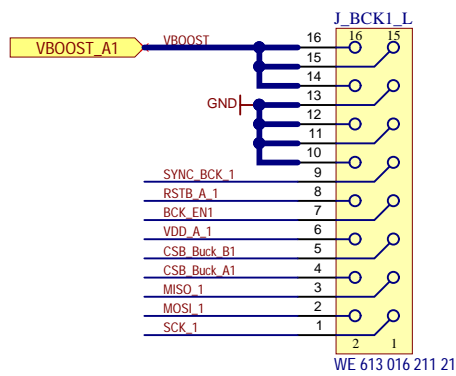
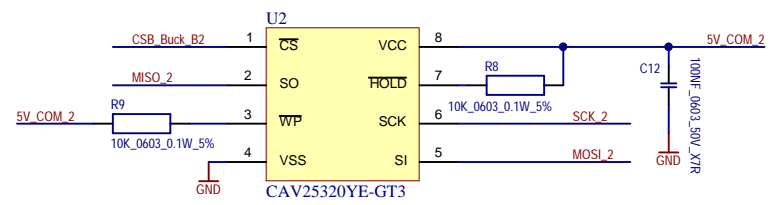


LED DRIVER NCV78723



Onboard EEPROM



ON SEMICONDUCTOR Automotive Products Division Videnska 204/125 619 00 Brno Czech Republic			
PROJECT		NCV78723 Daughter Board	
SCHEMATIC		DB_NCV78723_v1.1.SchDoc	
CUSTOMER		ON Semiconductor	AUTHOR Jiri MATOUSEK
Size A3	REV. A	SHEET No. 1	TOTAL SHEETS 1
TIMESTAMP		26/03/2018 14:36:58	