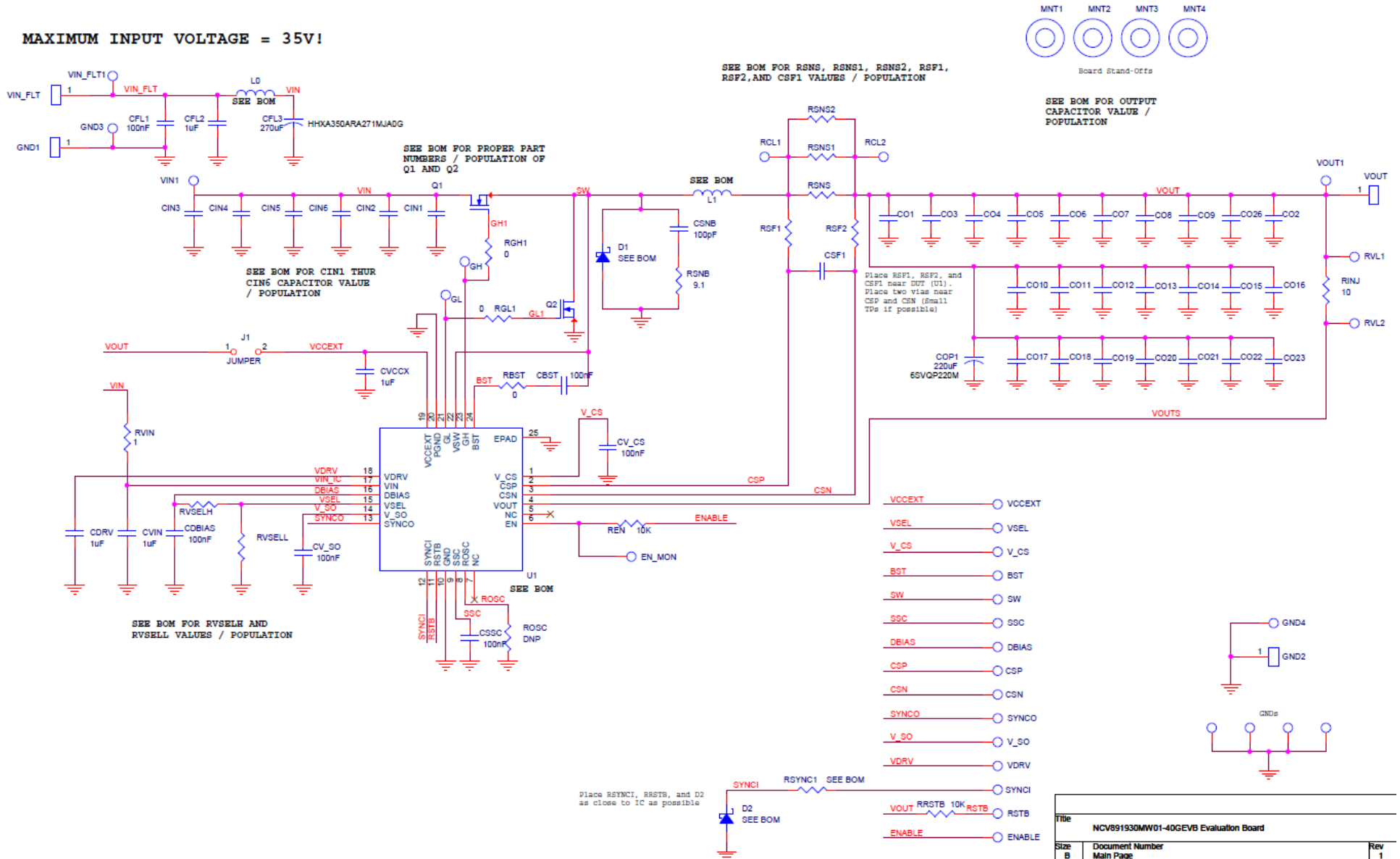


Schematic for the NCV891930MW01-365GEVBEvaluation Board

MAXIMUM INPUT VOLTAGE = 35V!



Title		
NCV891930MW01-40GEVB Evaluation Board		
Size	Document Number	Rev
B	Main Page	1