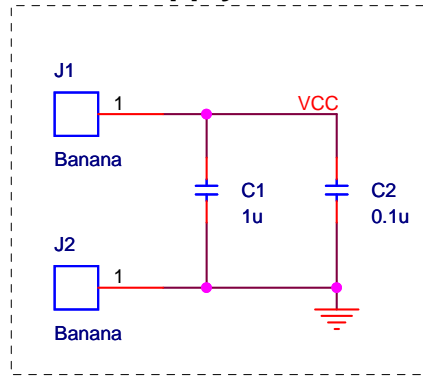
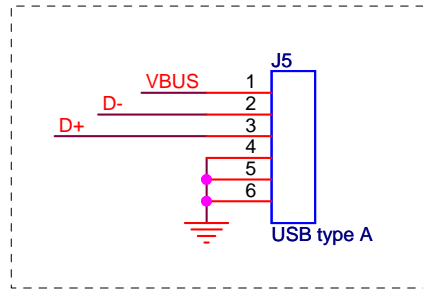


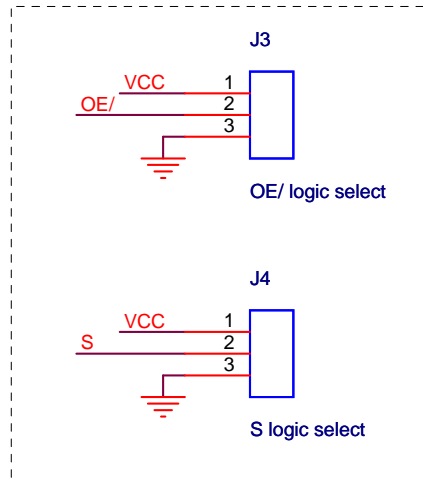
Power Supply



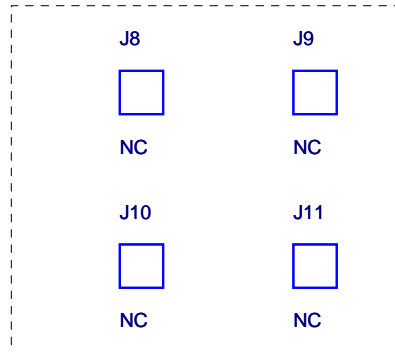
Common I/O



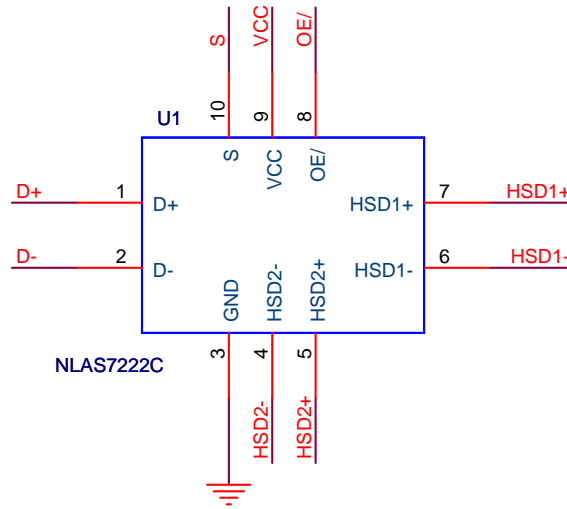
Control Lines



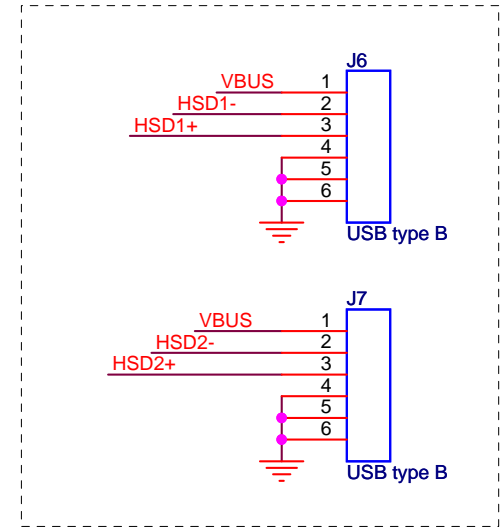
Fixture Holes



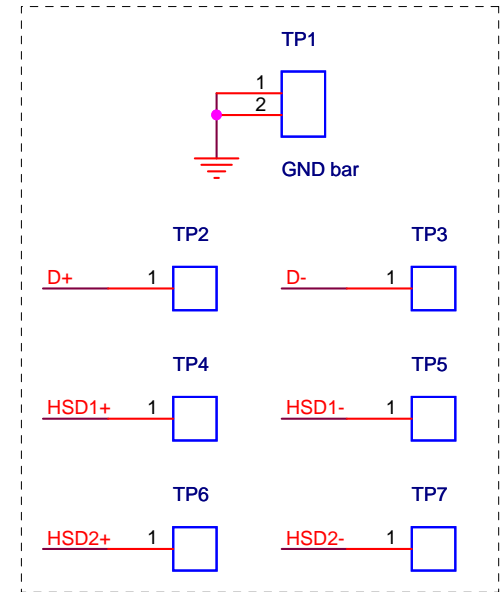
NLAS7222C



Switchable I/O



Test Points



ON Semiconductor

Title NLAS7222C demo board		
Size A	Document Number NLAS7222CMUGEVB	Rev 1.1
Date: Wednesday, April 13, 2011	Sheet 1	of 1