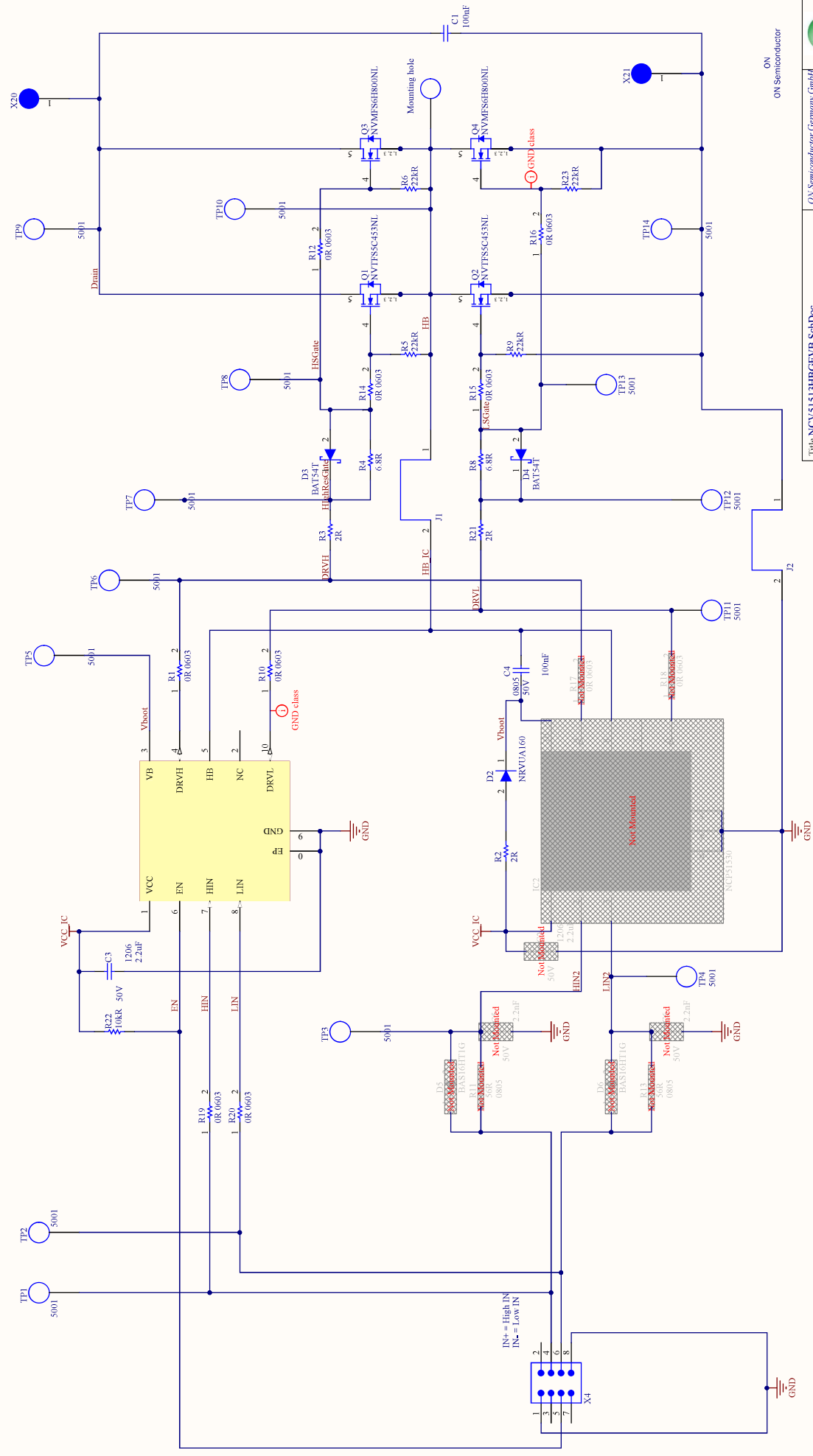


NetClass GND
GND

NetClass High side
High side



ON
Semiconductor

Title: NCV5151:HBGEVB_SchDoc	
Size: A3	Project: ZF Gate driver EVB
Date: 21-Jan-2010	Rev: 1
Sheet: 1 of 1	Approved by: Thomas K.

OX Semiconductor Germany GmbH Königsplatz 38 85609 Ischheim-Dornach Germany	
8	7
6	5
4	3
2	1