

1 2 3 4

A

A

B

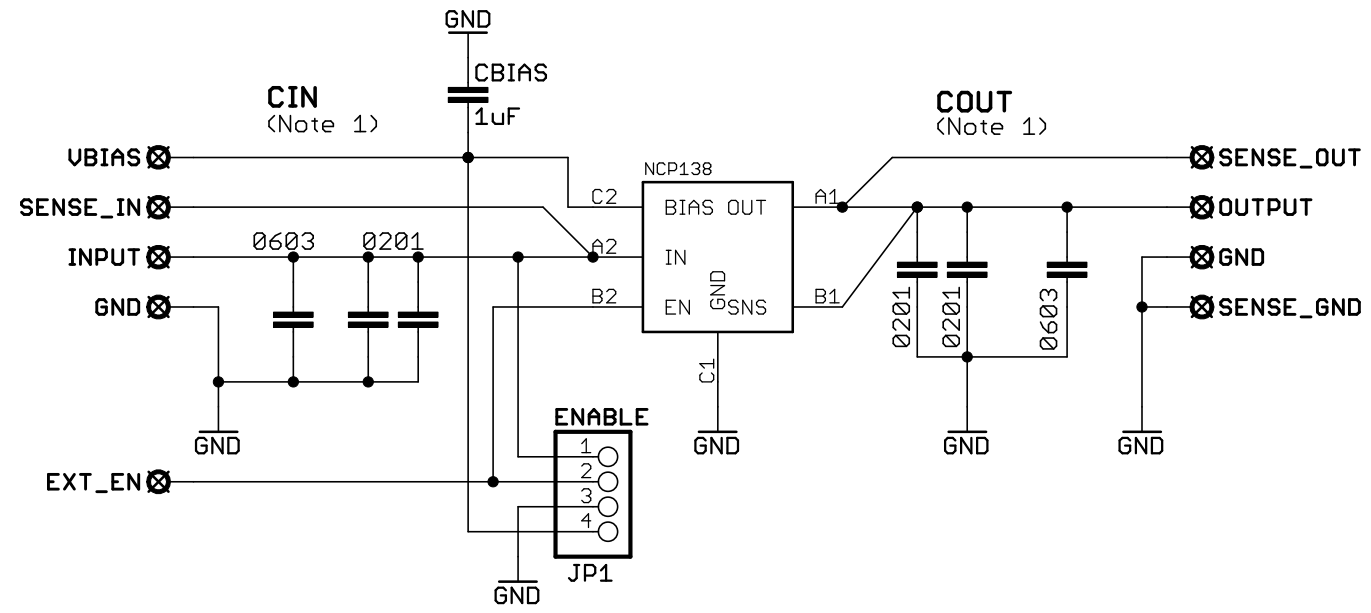
B

C

C

D

D



(1) The 0603 position of CIN and COUT are optional. The default input and output capacitors are 4.7uF 0201

T30LMPSR131CFCT080T2GEVB

Sheet: 1/1

1 2 3 4