



## Test Procedure for the NCP110AMX180TBGEVB Evaluation Board

### 1. QUIESCENT CURRENT

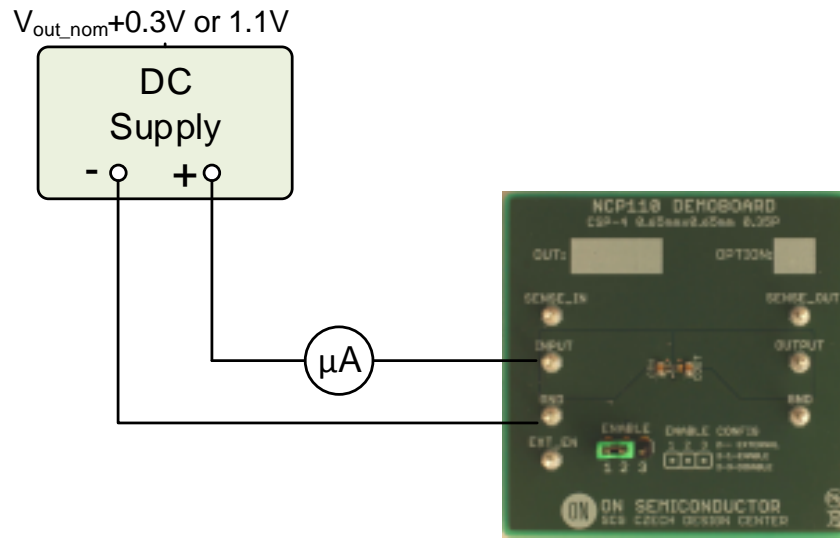


Figure 1: Test configuration for measurement  $I_Q$ , Quiescent Current

1. Connect circuit as shown figure on 1
2. Apply voltage at  $V_{Input}$ . Default test  $V_{input}$  is  $V_{out\_nom}+0.3$  V or 1.1 V whichever is greater
3. Value shown  $\mu A$  meter is measured quiescent current.
4. Measurement is finished. Disconnect supply voltage.

*\*Note – Be carefully if any device is connected on output, because leakage current can affect measurement accuracy.*



## 2. LOAD REGULATION

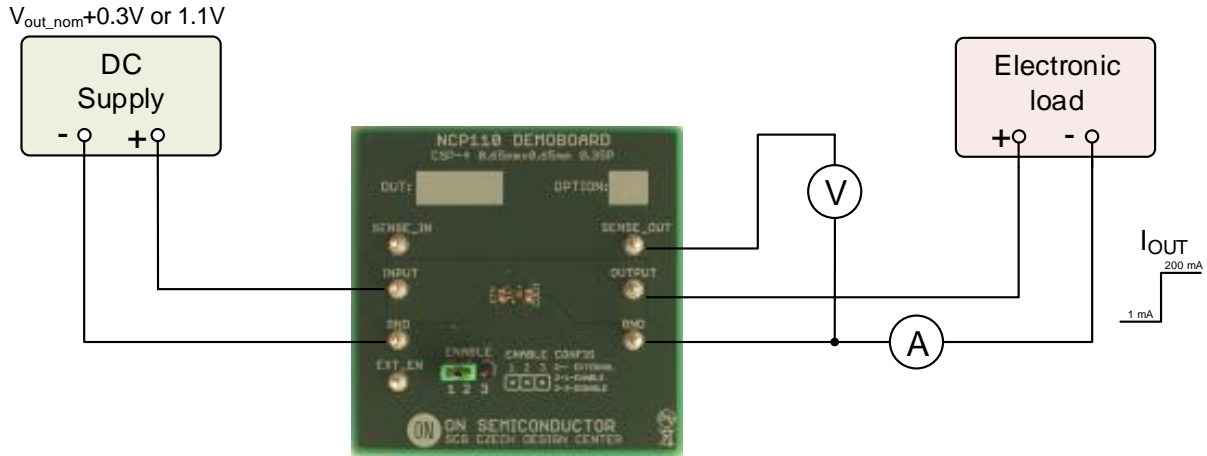


Figure 2: Test configuration for measurement  $REG_{LOAD}$ , Load Regulation

1. Connect circuit as shown figure on 2
2. Apply voltage at  $V_{input}$ . Default test  $V_{input}$  is  $V_{out\_nom}+0.3$  V or 1.1 V whichever is greater
3. Set minimal required current  $I_1$ , e.g. 1 mA, and switch load ON.
4. Note the value  $V_1$  from voltmeter  $V_o$ .
5. Switch load OFF and set maximal required current  $I_2$ , e.g. 200 mA and switch load ON.
6. Note the value  $V_2$  from voltmeter  $V_o$ .
7. Load regulation is obtained via following formula:  $REG_{LOAD}=(V_1-V_2)$ , [V]
8. Measurement is finished. Disconnect supply voltage.



### 3. LINE REGULATION

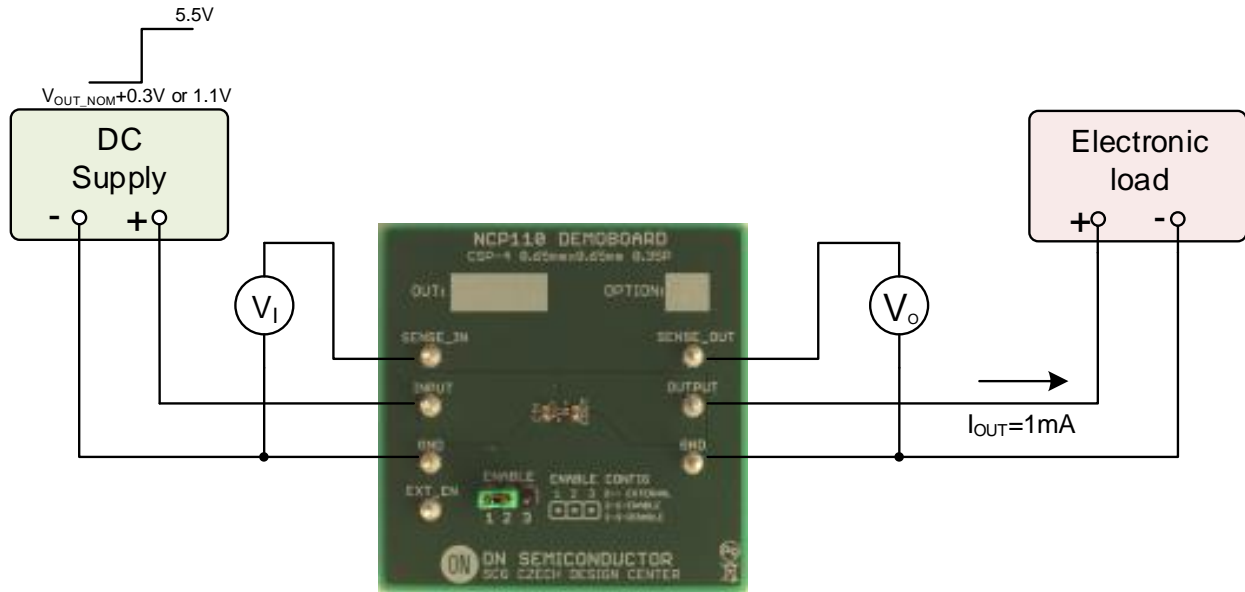


Figure 3: Test configuration for measurement  $REG_{LINE}$ , Line Regulation

1. Connect circuit as shown on figure 3
2. Set load to the required current e.g. 1 mA
3. Set minimal input voltage  $V_{I1}$ ,  $V_{OUT\_NOM}+0.3V$  or  $1.1V$  whichever is greater
4. Note the value  $V_{I1}$  and  $V_{O1}$ .
5. Set maximal input voltage  $V_{I2} = 5.5V$
6. Note the value  $V_{I2}$  and  $V_{O2}$ .
7. Load regulation is obtained via following formula:  $REG_{LINE}=(V_{O1}-V_{O2})/(V_{I1}-V_{I2})$ , [V/V]
8. Measurement is finished. Disconnect supply voltage.



#### 4. ENABLE START-UP

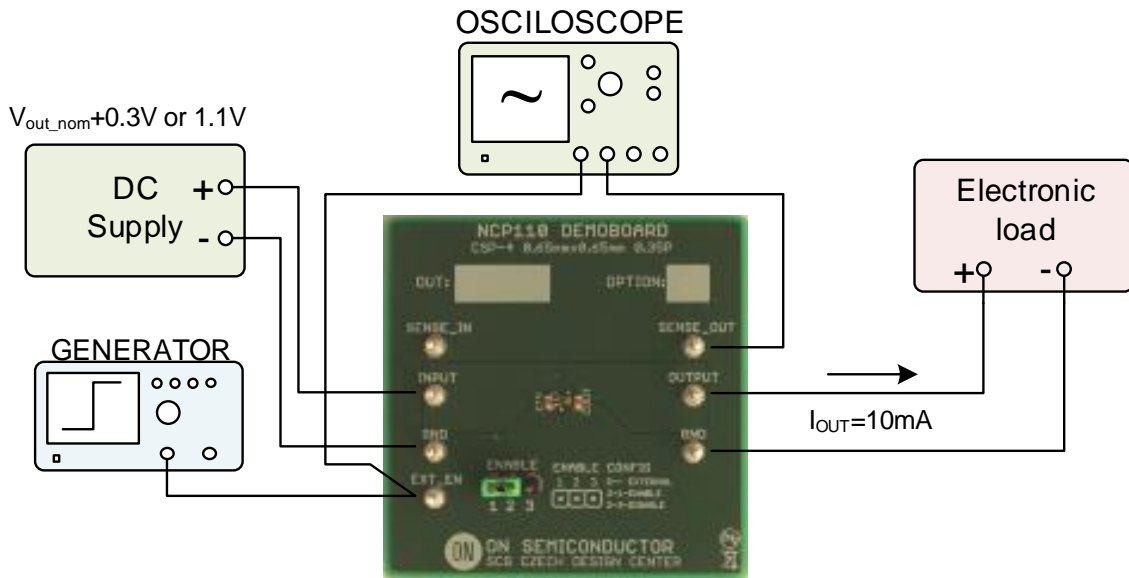


Figure 4: Test configuration for measurement enables response

1. Connect circuit as shown on figure 4
2. Set generator to SQUARE PULSE,  $0.9 \leq \text{AMPLITUDE} \leq V_{IN}$ , FREQUENCY=10Hz, DUTY=10%
3. Apply voltage at  $V_{Input}$ . Default test  $V_{Input}$  is  $V_{out\_nom}+0.3$  V or 1.1 V whichever is greater
4. Set required  $I_{OUT}$ , e.g. 10 mA
5. Connect oscilloscope to EN signal and  $V_{OUTPUT}$ .
6. Watch enable response of the regulator after asserting EN pin.
7. Measurement is finished. Disconnect supply voltage.