



Test Procedure for the NCP137AFCTADJT2G Demo Board

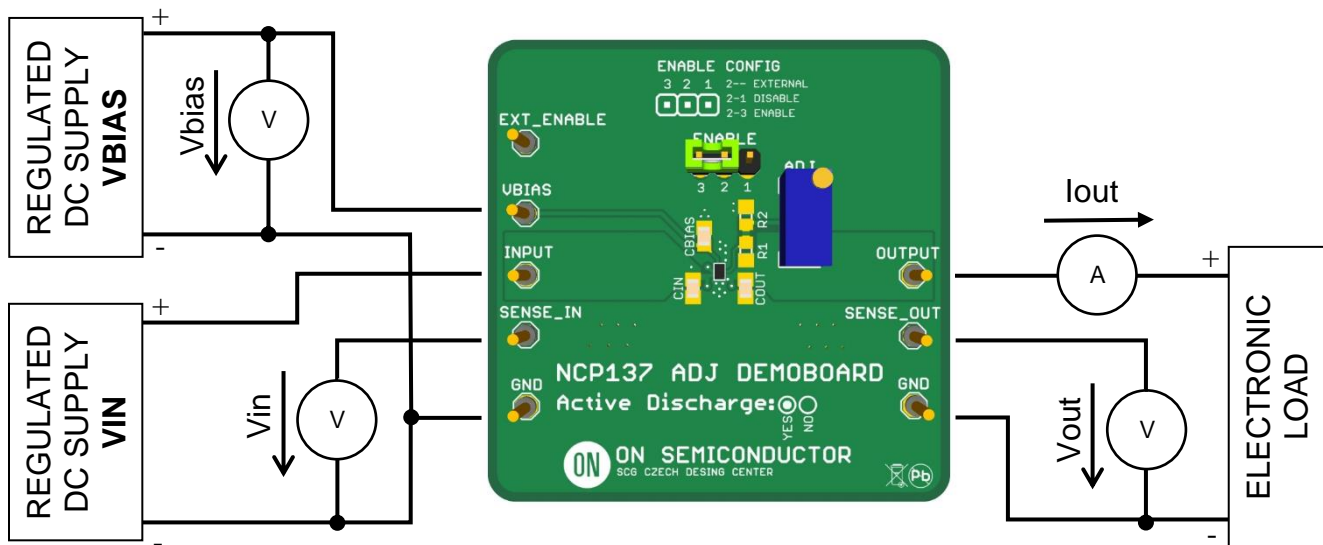


Figure 1: Test Setup

Test Procedure

1. Connect the test setup as shown in Figure 1.
2. Apply supply voltage $V_{bias} = 5.5$ V
3. Apply supply voltage $V_{in} = 3.5$ V
4. Apply $I_{out} = 10$ mA load.
5. Set the desired V_{out} in range from 0.5 V to 3.0 V by trimer ADJ.
6. Set the supply voltage V_{in} to $V_{out} + 0.5$ V
7. Increase I_{out} load current to 0.7 A
8. Check the Output Voltage V_{out} is $V_{out} @ 10$ mA $\pm 1\%$
9. Power down the load
10. Power down V_{in} and V_{bias} supply
11. End of test