



ON Semiconductor

Test Procedure for the NCP1595A Evaluation Board

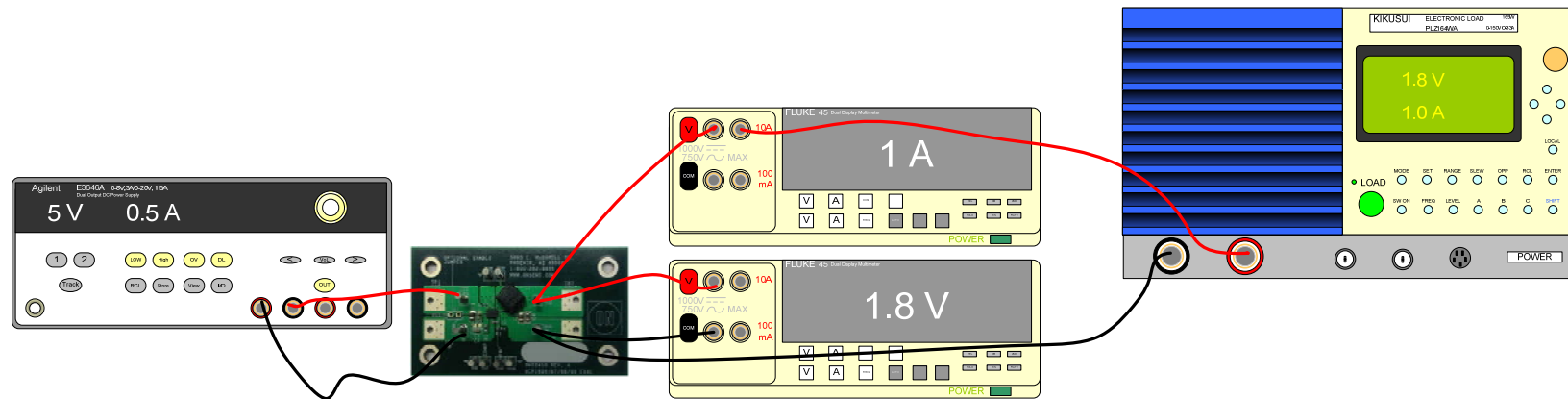


Figure 1: Test Setup

The following steps describe the test procedure for all of these boards:

Suggested Equipment:

- Current limited DC Power Supply (e.g. AGILENT 6645A) 1pc
- DC Volt-Meter able to measure up to 60 V DC (e.g. KEITHLEY 2000) 2pcs
- DC Amp-Meter able to measure up to 1 A DC (e.g. KEITHLEY 2000)1pc
- DC Amp-Meter able to measure up to 6 A DC (e.g. FLUKE 89 IV)..... 1pc
- DC Electronic Load (e.g. AGILENT 6060B) 1pc

Test Procedure:

1. Connect the test setup as shown in Figure 1.
2. Apply an input voltage, $V_{IN} = 4-5 \text{ Vdc}$ (Current Limit must be set to 4A)
5. Apply $I_{OUT}(\text{load}) = 0 \text{ A}$
4. Check that $V_{OUT} = 1.7 - 1.9 \text{ Vdc}$
6. Set I_{OUT} to desired level 0 A- 1.5 A
7. Check that $V_{OUT} = 1.7 - 1.9 \text{ Vdc}$
8. Turn off the load
9. Turn off V_{IN}
10. End of the test