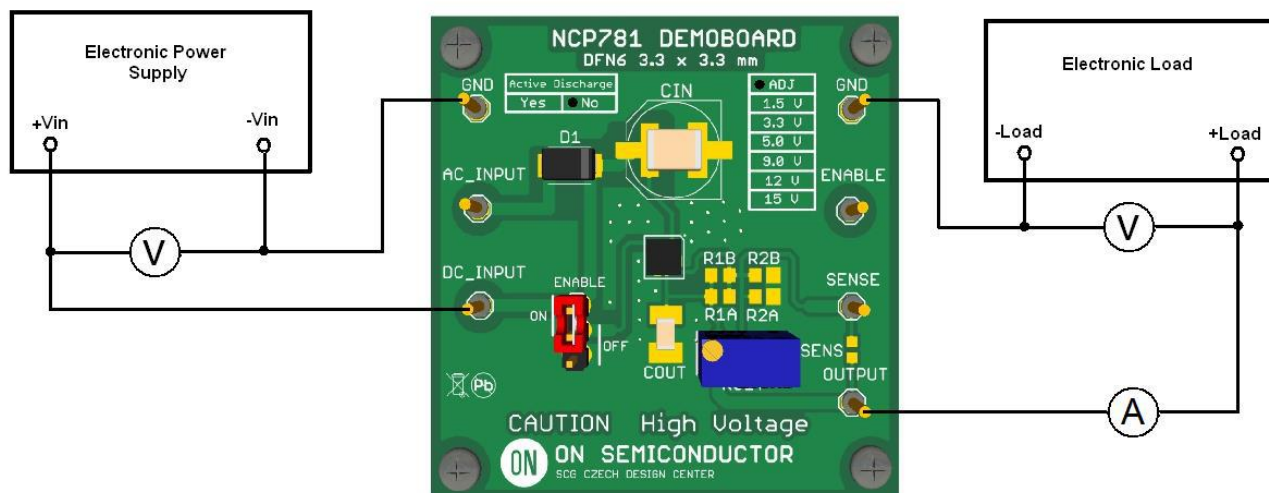




Test Procedure for the NCP781BMNADJTAGEVB Evaluation Board



Test procedure:

1. Check the position of jumper and correct it if necessary.
ENABLE - ON
2. Connect the test setup as shown Figure
3. Apply an input voltage $V_{in} = 15\text{ V}$
4. Apply $I_{out} = 0\text{ mA}$ load.
5. Check that V_{out} is $V_{out} = 5.0\text{ V}$. (Set by Rset trimmer if necessary)
6. Increase the Input Voltage to $V_{in} = 150\text{ V}$
7. Check the Output Voltage, V_{out} should be $5\text{ V} \pm 2.5\%$
8. Increase the load up to $I_{out} = 1\text{ mA}$ (respect SOA limitation)
9. Check the Output Voltage, V_{out} should be $5\text{ V} \pm 2.5\%$
10. Decrease the Input Voltage to $V_{in} = 75\text{ V}$
11. Set desired Output Voltage in range $V_{out} = (1.23 - 15)\text{ V}$ by Rset trimmer
12. Do not exceed maximum Output Voltage $V_{outmax} = 15\text{ V}$
13. 8. Increase the load up to $I_{out} = 10\text{ mA}$ (respect SOA limitation)
14. Check the Output Voltage, V_{out} should be **desired output voltage** $\pm 2.5\%$
15. Power down the Electronic Load
16. Power down the Electronic Power Supply
17. End of test