



Test Procedure for the NCV8189CMTW180TAGEVB Demo Board

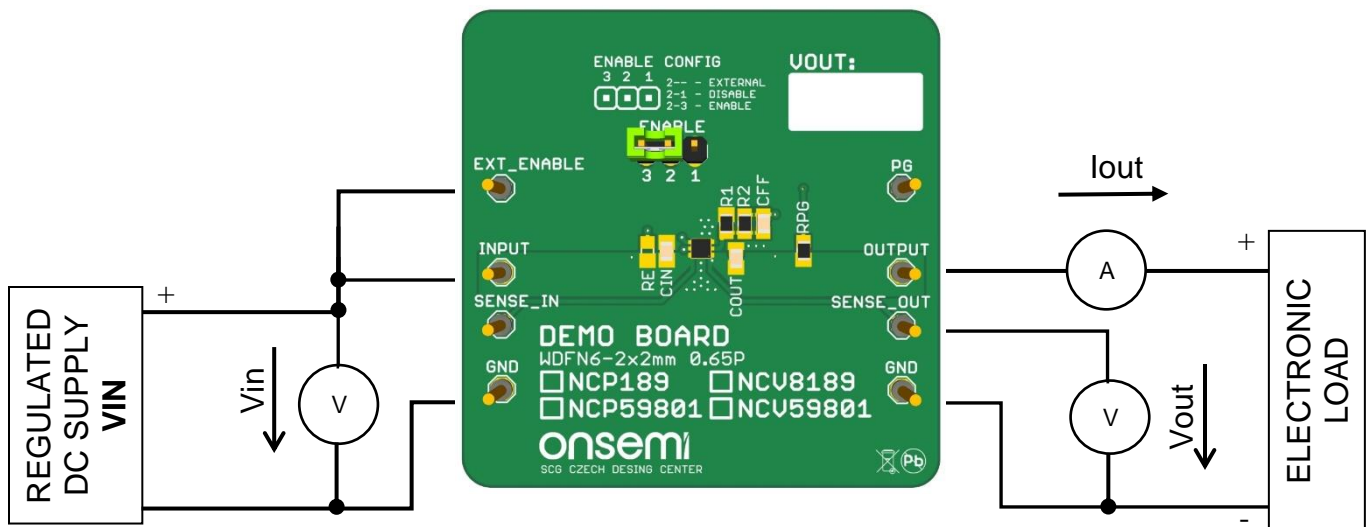


Figure 1: Test Setup

Test Procedure

1. Connect the test setup as shown in Figure 1.
2. Apply supply voltage $V_{in} = 5\text{ V}$
3. Apply $I_{out} = 10\text{ mA}$ load.
4. Increase I_{out} load current to 500 mA
5. Check the Output Voltage V_{out} is $V_{out} @ 10\text{ mA} \pm 1.0\%$
6. Power down the load
7. Power down V_{in}
8. End of test