

MECHANICAL CASE OUTLINE

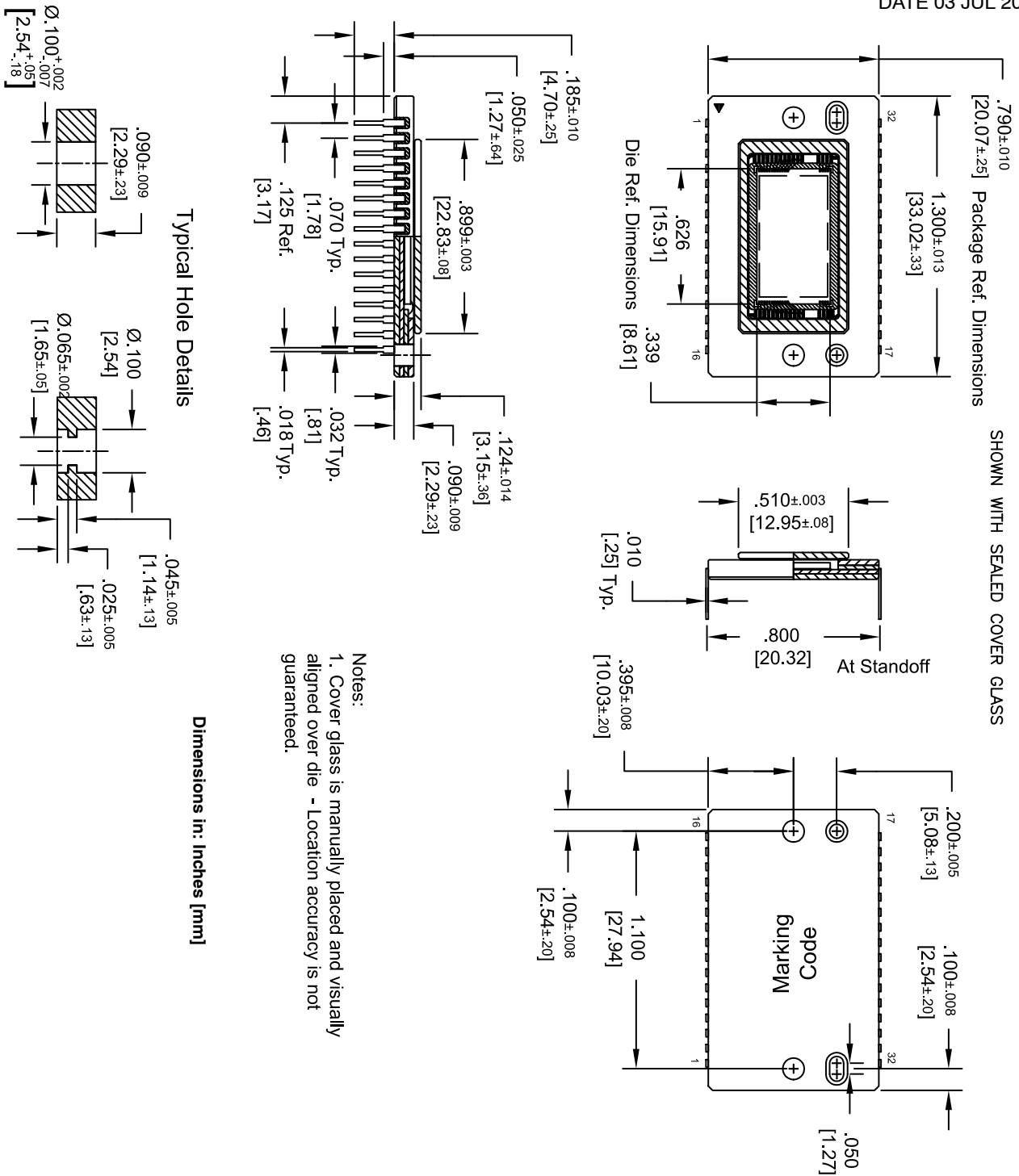
PACKAGE DIMENSIONS

ON Semiconductor®



CERAMIC DIP 32, 33.02x20.07 CASE 125BF ISSUE O

DATE 03 JUL 2014



Dimensions in: Inches [mm]

SHOWN WITH SEALED COVER GLASS

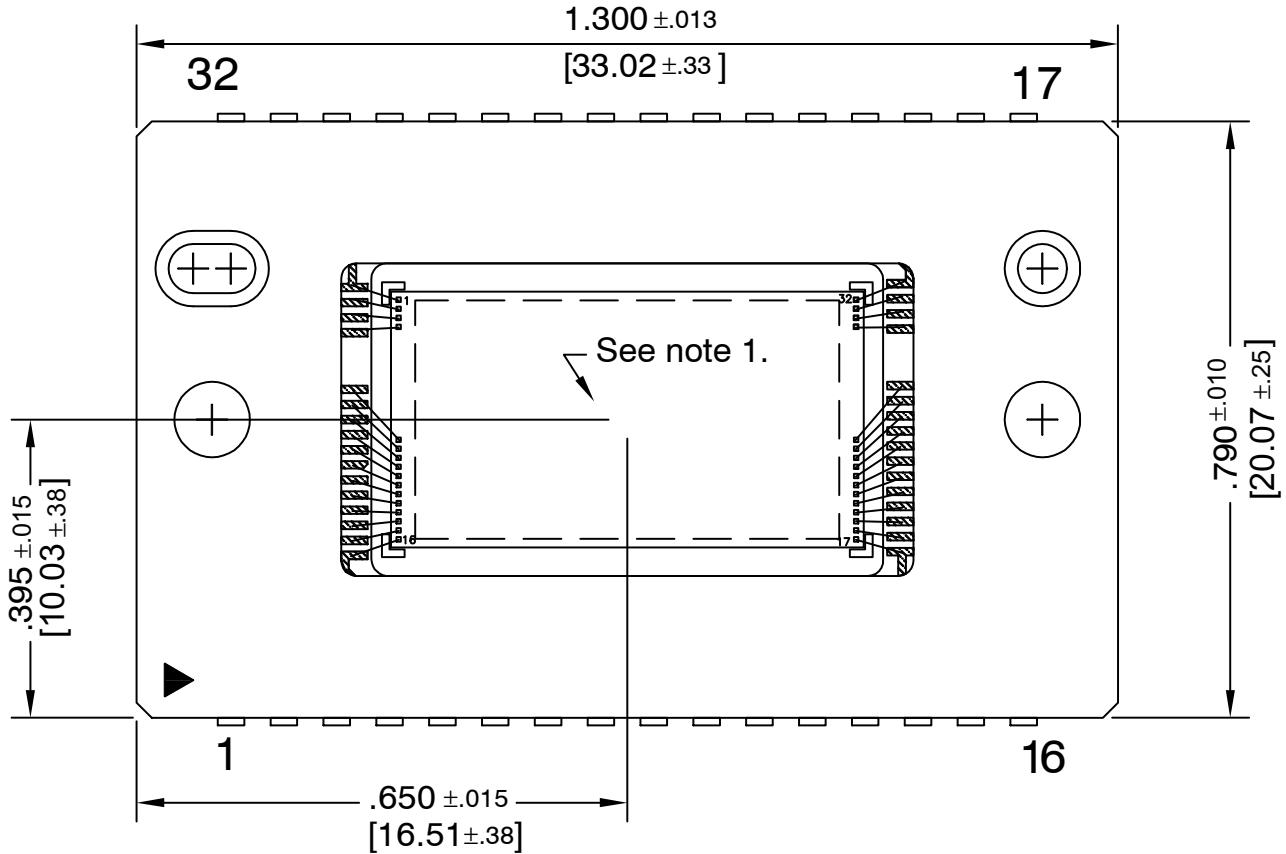
DOCUMENT NUMBER:	98AON87289F	Electronic versions are uncontrolled except when accessed directly from the Document Repository. Printed versions are uncontrolled except when stamped "CONTROLLED COPY" in red.
DESCRIPTION:	CERAMIC DIP 32, 33.02x20.07	PAGE 1 OF 2

ON Semiconductor and ON are trademarks of Semiconductor Components Industries, LLC dba ON Semiconductor or its subsidiaries in the United States and/or other countries. ON Semiconductor reserves the right to make changes without further notice to any products herein. ON Semiconductor makes no warranty, representation or guarantee regarding the suitability of its products for any particular purpose, nor does ON Semiconductor assume any liability arising out of the application or use of any product or circuit, and specifically disclaims any and all liability, including without limitation special, consequential or incidental damages. ON Semiconductor does not convey any license under its patent rights nor the rights of others.

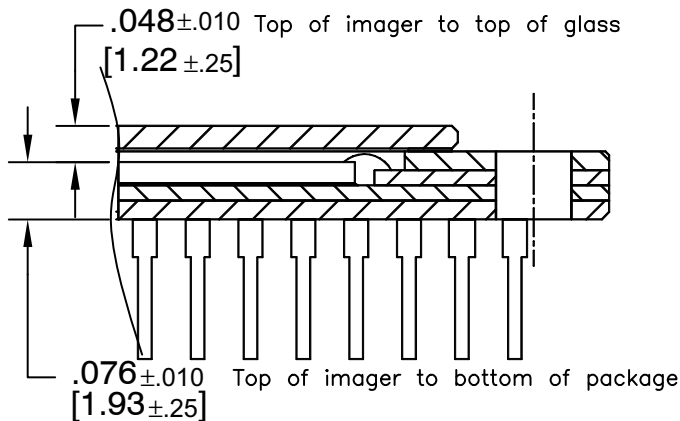
CERAMIC DIP 32, 33.02x20.07
CASE 125BF
ISSUE O

DATE 03 JUL 2014

SHOWN WITHOUT COVER_GLASS



SHOWN WITH SEALED COVER GLASS



- Notes:
1. Center of image is nominally coincident with the center of package.
 2. Die is aligned within ± 2 degree of any package cavity edge.

Dimensions in: Inches [mm]

DOCUMENT NUMBER:	98AON87289F	Electronic versions are uncontrolled except when accessed directly from the Document Repository. Printed versions are uncontrolled except when stamped "CONTROLLED COPY" in red.
DESCRIPTION:	CERAMIC DIP 32, 33.02x20.07	PAGE 2 OF 2

ON Semiconductor and are trademarks of Semiconductor Components Industries, LLC dba ON Semiconductor or its subsidiaries in the United States and/or other countries. ON Semiconductor reserves the right to make changes without further notice to any products herein. ON Semiconductor makes no warranty, representation or guarantee regarding the suitability of its products for any particular purpose, nor does ON Semiconductor assume any liability arising out of the application or use of any product or circuit, and specifically disclaims any and all liability, including without limitation special, consequential or incidental damages. ON Semiconductor does not convey any license under its patent rights nor the rights of others.