

# NCN2411

## 4-Channel Differential 1:2 Mux/Demux Switch for PCI Express Gen2

The NCN2411 is a 4-Channel differential SPDT switch designed to route PCI Express Gen2 signals. When used in a PCI Express application, the switch can handle up to two PCIe lanes. Due to the ultra-low ON-state capacitance (2 pF typ) and resistance (7.5  $\Omega$  typ), this switch is ideal for switching high frequency signals up to a signal bit rate (BR) of 5 Gbps. This switch pinout is designed to be used in BTX form factor desktop PCs and is available in a space-saving 3.5x9x0.75 mm WQFN42 package.

### Features

- $V_{DD}$  Power Supply from 1.5 V to 2.0 V
- 4 Differential Channels 2:1 MUX/DEMUX
- Compatible with PCIe 2.0
- Data Rate: Supports 5 Gbps
- Low Crosstalk: -30 dB @ 3 GHz
- Low Bit-to-Bit Skew: 5 ps
- Low  $R_{ON}$  Resistance: 13  $\Omega$  max
- Low  $C_{ON}$  Capacitance: 2 pF
- Low Supply Current: 200  $\mu$ A
- Insertion Loss: -2 dB @ 3 GHz
- Space Saving, Small WQFN-42 Package
- This is a Pb-Free Device

### Typical Applications

- Notebook Computer
- Desktop computer
- Server/Storage Area Network

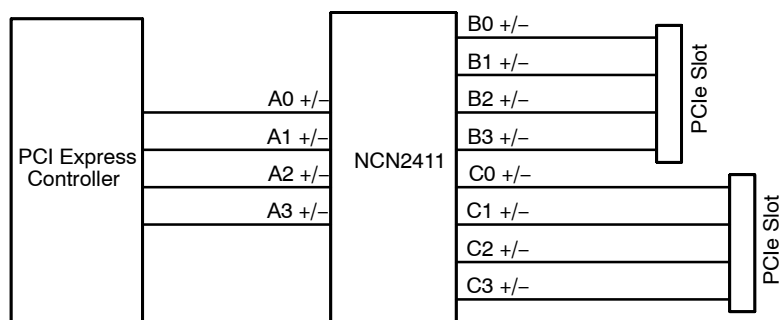
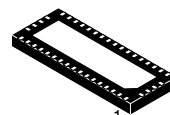


Figure 1. Application Schematic



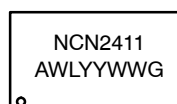
ON Semiconductor®

<http://onsemi.com>



WQFN42  
CASE 510AP

### MARKING DIAGRAM



A = Assembly Location  
WL = Wafer Lot  
YY = Year  
WW = Work Week  
G = Pb-Free Package

### ORDERING INFORMATION

Device	Package	Shipping†
NCN2411MTTWG	WQFN42 (Pb-Free)	2000 / Tape & Reel

†For information on tape and reel specifications, including part orientation and tape sizes, please refer to our Tape and Reel Packaging Specifications Brochure, BRD8011/D.

# NCN2411

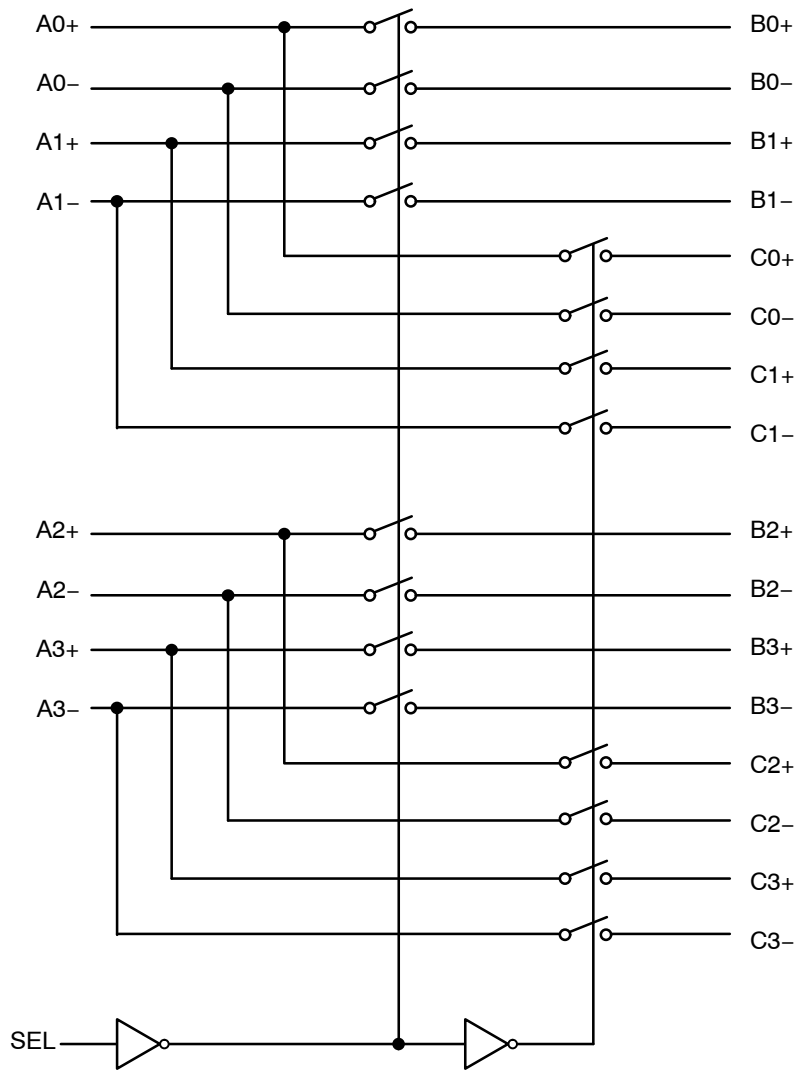
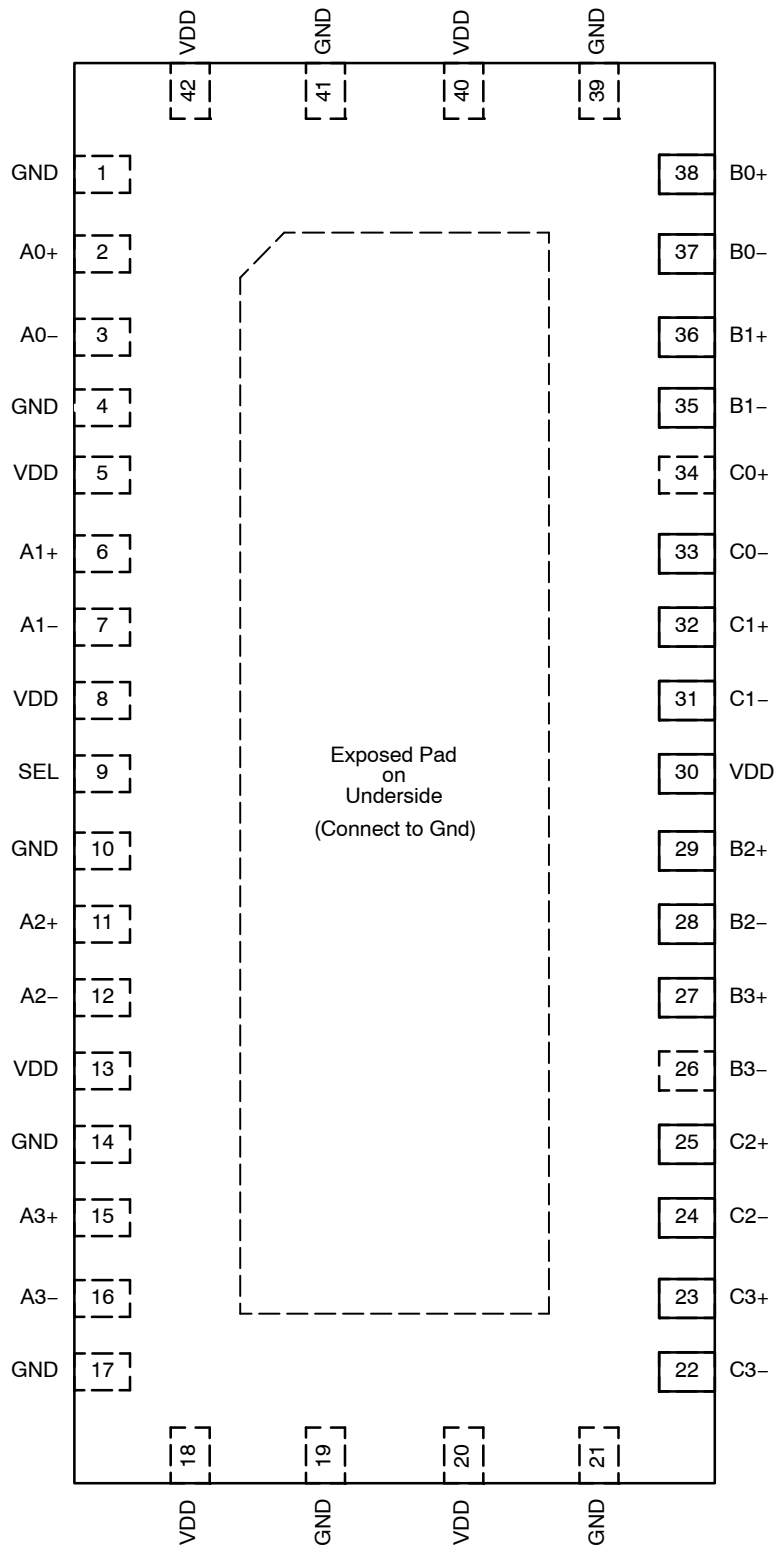


Figure 2. NCN2411 Functional Block Diagram (Top View)

## TRUTH TABLE

Function	SEL
$A_N$ to $B_N$	L
$A_N$ to $C_N$	H

# NCN2411



**Figure 3. Pin Description  
(Top View)**

# NCN2411

## PIN FUNCTION AND DESCRIPTION

Pin	Pin Name	Description
2, 3	A0+, A0-	Signal I/O, Channel 0, Port A
6, 7	A1+, A1-	Signal I/O, Channel 1, Port A
11, 12	A2+, A2-	Signal I/O, Channel 2, Port A
15, 16	A3+, A3-	Signal I/O, Channel 3, Port A
38, 37	B0+, B0-	Signal I/O, Channel 0, Port B
36, 35	B1+, B1-	Signal I/O, Channel 1, Port B
29, 28	B2+, B2-	Signal I/O, Channel 2, Port B
27, 26	B3+, B3-	Signal I/O, Channel 3, Port B
34, 33	C0+, C0-	Signal I/O, Channel 0, Port C
32, 31	C1+, C1-	Signal I/O, Channel 1, Port C
25, 24	C2+, C2-	Signal I/O, Channel 2, Port C
23, 22	C3+, C3-	Signal I/O, Channel 3, Port C
9	SEL	Operational Mode Select (When SEL = 0: A → B, When SEL = 1: A → C) Do not float this pin.
5, 8, 13, 18, 20, 30, 40, 42	VDD	DC Supply: 1.5 V to 2.0 V
1, 4, 10, 14, 17, 19, 21, 39, 41	GND	Power Ground
Exposed Pad	-	The exposed pad on the backside of package is internally connected to GND. Externally the pad should also be user-connected to GND.

## MAXIMUM RATINGS

Parameter	Symbol	Rating	Units
Power Supply Voltage	$V_{DD}$	-0.5 to 2.5	$V_{DC}$
Input/Output Voltage Range of the Switch ( $A_N$ , $B_N$ , $C_N$ )	$V_{IS}$	-0.5 to $V_{DD}$	$V_{DC}$
Selection Pin Voltages	$V_{SEL}$	-0.5 to $V_{DD}$	$V_{DC}$
Continuous Current Through One Switch	$I_{CC}$	±120	mA
Maximum Junction Temperature (Note 1)	$T_J$	150	°C
Operating Ambient Temperature	$T_A$	-40 to +85	°C
Storage Temperature Range	$T_{stg}$	-65 to +150	°C
Thermal Resistance, Junction-to-Air	$R_{\theta JA}$	75	°C/W
Latch-up Current (Note 2)	$I_{LU}$	±100	mA
Human Body Model (HBM) ESD Rating (Note 3)	ESD HBM	7000	V
Machine Model (MM) ESD Rating (Note 3)	ESD MM	400	V
Moisture Sensitivity (Note 4)	MSL	Level 1	-

Stresses exceeding Maximum Ratings may damage the device. Maximum Ratings are stress ratings only. Functional operation above the Recommended Operating Conditions is not implied. Extended exposure to stresses above the Recommended Operating Conditions may affect device reliability.

1. Power dissipation must be considered to ensure maximum junction temperature ( $T_J$ ) is not exceeded.
2. Latch up Current Maximum Rating: ±100 mA per JEDEC standard: JESD78.
3. This device series contains ESD protection and passes the following tests:  
Human Body Model (HBM) ±7.0 kV per JEDEC standard: JESD22-A114 for all pins.  
Machine Model (MM) ±400 V per JEDEC standard: JESD22-A115 for all pins.
4. Moisture Sensitivity Level (MSL): 1 per IPC/JEDEC standard: J-STD-020A.

# NCN2411

## DC ELECTRICAL CHARACTERISTICS OVER OPERATING RANGE ( $T_A = -40^{\circ}\text{C}$ to $+85^{\circ}\text{C}$ , $V_{DD} = 1.5\text{ V}$ to $2.0\text{ V}$ , $\text{GND} = 0\text{V}$ )

Symbol	Pins	Parameters	Conditions (Note 5)	Min.	Typ (Note 6)	Max.	Units
--------	------	------------	---------------------	------	--------------	------	-------

### POWER SUPPLY

$V_{DD}$	$V_{DD}$ , GND	Supply Voltage Range	With respect to GND	1.5	1.8	2.0	V
$I_{DD}$	$V_{DD}$ , GND	Quiescent Supply Current	$V_{DD} = 2\text{ V}$ , $V_{SEL} = \text{GND}$ or $V_{DD}$		200	300	$\mu\text{A}$

### DATA SWITCH PERFORMANCE

$V_{IS}$	$A_N$ , $B_N$ , $C_N$	Data Input/Output Voltage Range		0		1.2	V
$R_{ON}$	$B_N$	On Resistance ( $B_N$ )	$V_{DD} = 1.5\text{ V}$ , $V_{IS} = 0\text{ V}$ to $1.2\text{ V}$ , $I_{IS} = 15\text{ mA}$		7.5	13	$\Omega$
$R_{ON}$	$C_N$	On Resistance ( $C_N$ )	$V_{DD} = 1.5\text{ V}$ , $V_{IS} = 0\text{ V}$ to $1.2\text{ V}$ , $I_{IS} = 15\text{ mA}$		8.0	13	$\Omega$
$R_{ON(\text{flat})}$	$B_N$	On Resistance Flatness	$V_{DD} = 1.5\text{ V}$ , $V_{IS} = 0\text{ V}$ to $1.2\text{ V}$ , $I_{IS} = 15\text{ mA}$ (Note 7)		0.1	1.24	$\Omega$
$R_{ON(\text{flat})}$	$C_N$	On Resistance Flatness	$V_{DD} = 1.5\text{ V}$ , $V_{IS} = 0\text{ V}$ to $1.2\text{ V}$ , $I_{IS} = 15\text{ mA}$ (Note 7)		0.1	1.24	$\Omega$
$\Delta R_{ON}$	$B_N$	On Resistance Matching( $B_N$ )	$V_{DD} = 1.5\text{ V}$ , $V_{IS} = 0\text{ V}$ , $I_{IS} = 15\text{ mA}$ (Note 7)			0.35	$\Omega$
$\Delta R_{ON}$	$C_N$	On Resistance Matching( $C_N$ )	$V_{DD} = 1.5\text{ V}$ , $V_{IS} = 0\text{ V}$ , $I_{IS} = 15\text{ mA}$ (Note 7)			0.35	$\Omega$
$C_{ON}$	$A_N$ to $B_N$ , $A_N$ to $C_N$	On Capacitance	$f = 1\text{ MHz}$ , Switch On, Open Output		2.0		pF
$C_{OFF}$	$A_N$ to $B_N$ , $A_N$ to $C_N$	Off Capacitance	$f = 1\text{ MHz}$ , Switch Off		1.5		pF
$I_{ON}$	$A_N$ to $B_N$ , $A_N$ to $C_N$	On Leakage Current	$V_{DD} = 2\text{ V}$ , $V_{AN} = 0\text{ V}$ , $1.2\text{ V}$ , Switch On to $B_N/C_N$ , $B_N/C_N$ pins are unconnected	-1		+1	$\mu\text{A}$
$I_{OFF}$	$A_N$ to $B_N$ , $A_N$ to $C_N$	Off Leakage Current	$V_{DD} = 2\text{ V}$ , $V_{AN} = 0\text{ V}$ , $1.2\text{ V}$ , Switch Off to $B_N/C_N$ , $V_{BN}/V_{CN} = 1.2\text{ V}$ , $0\text{ V}$	-1		+1	$\mu\text{A}$

### LOGIC INPUT CHARACTERISTICS (SEL Pin)

$V_{IH}$	SEL	Input HIGH Voltage	(Note 7)	$0.65 \times V_{DD}$		$V_{DD}$	V
$V_{IL}$	SEL	Input LOW Voltage	(Note 7)	0		$0.35 \times V_{DD}$	V
$V_{IK}$	SEL	Clamp Diode Voltage	$V_{DD} = \text{Max}$ , $I_{SEL} = -18\text{ mA}$		-0.7	-1.2	V
$I_{IH}$	SEL	Input HIGH Current	$V_{DD} = \text{Max}$ , $V_{SEL} = V_{DD}$			$\pm 5$	$\mu\text{A}$
$I_{IL}$	SEL	Input LOW Current	$V_{DD} = \text{Max}$ , $V_{SEL} = \text{GND}$			$\pm 5$	$\mu\text{A}$

### SWITCHING CHARACTERISTICS

$t_{SELO\text{N}}$	SEL, $A_N$ , $B_N/C_N$	Line Enable Time	SEL to $A_N$ , $B_N$ , $C_N$ $R_L = 50\ \Omega$ , $C_L = 20\ \text{pF}$		8.0		ns
$t_{SELO\text{OFF}}$	SEL, $A_N$ , $B_N/C_N$	Line Disable Time	SEL to $A_N$ , $B_N$ , $C_N$ $R_L = 50\ \Omega$ , $C_L = 20\ \text{pF}$		5.0		ns
$t_{b-b}$	$A_N$ , $B_N/C_N$	Bit-to-bit skew	Within the same differential pair		9.0		ps
$t_{ch-ch}$	$A_N$ , $B_N$	Channel-to channel skew	Maximum skew between all channels		50		ps

5. For Max. or Min. conditions, use appropriate value specified under Electrical Characteristics for the applicable device type.

6. Typical values are at  $V_{DD} = 1.8\text{ V}$ ,  $T_A = 25^{\circ}\text{C}$  ambient and maximum loading.

7. Guaranteed by design and/or characterization.

# NCN2411

## DC ELECTRICAL CHARACTERISTICS OVER OPERATING RANGE ( $T_A = -40^{\circ}\text{C}$ to $+85^{\circ}\text{C}$ , $V_{DD} = 1.5\text{ V}$ to $2.0\text{ V}$ , $\text{GND} = 0\text{V}$ )

Symbol	Pins	Parameters	Conditions (Note 5)	Min.	Typ (Note 6)	Max.	Units
--------	------	------------	---------------------	------	-----------------	------	-------

### DYNAMIC ELECTRICAL CHARACTERISTICS OVER OPERATING RANGE

BR	$A_N$ to $B_N$ , $A_N$ to $C_N$	Signal Bit Rate			5.0		Gbps
D <sub>IL</sub>	$A_N$ to $B_N$ , $A_N$ to $C_N$	Differential Insertion Loss	$f = 3\text{ GHz}$		-2.0		dB
			$f = 100\text{ MHz}$		-0.7		dB
D <sub>CTK</sub>	$A_N$ , $B_N$ , $C_N$	Differential Crosstalk	$f = 3\text{ GHz}$		-30		dB
			$f = 100\text{ MHz}$		-58		dB
D <sub>ISO</sub>	$A_N$ to $B_N$ , $A_N$ to $C_N$	Differential Off Isolation	$f = 3\text{ GHz}$		-23		dB
			$f = 100\text{ MHz}$		-58		dB
D <sub>RL</sub>	$A_N$ to $B_N$ , $A_N$ to $C_N$	Differential Return Loss	$f = 3\text{ GHz}$		-6.0		dB
			$f = 100\text{ MHz}$		-22		dB

5. For Max. or Min. conditions, use appropriate value specified under Electrical Characteristics for the applicable device type.

6. Typical values are at  $V_{DD} = 1.8\text{ V}$ ,  $T_A = 25^{\circ}\text{C}$  ambient and maximum loading.

7. Guaranteed by design and/or characterization.

TYPICAL OPERATING CHARACTERISTICS

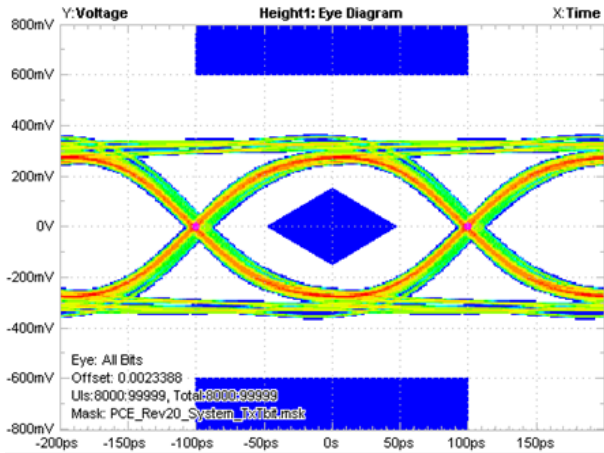


Figure 4. PCI Express Eye Diagram at 5 Gbps, 800 mVpp Differential Swing (Minimum Case)

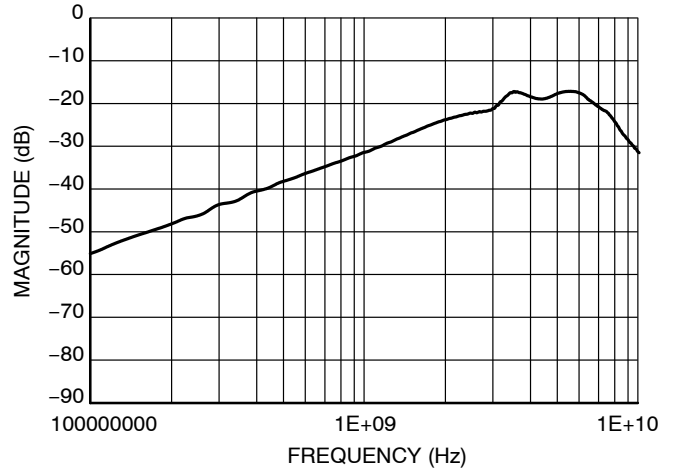


Figure 5. Differential Off Isolation

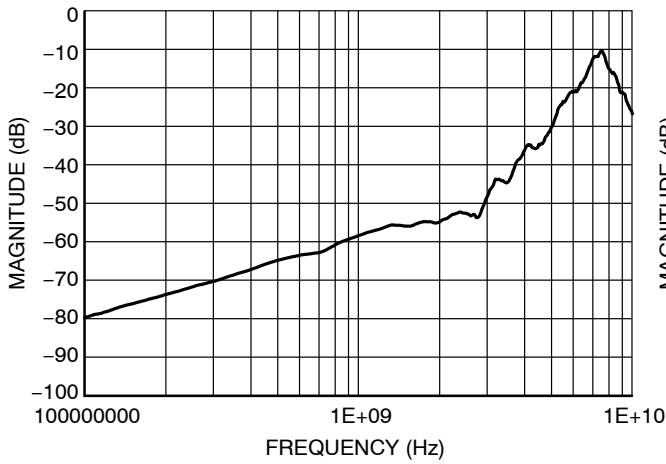


Figure 6. Differential Crosstalk

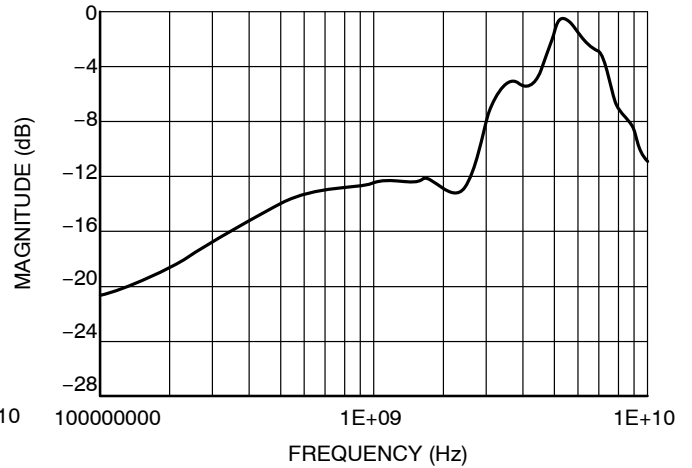


Figure 7. Differential Return Loss

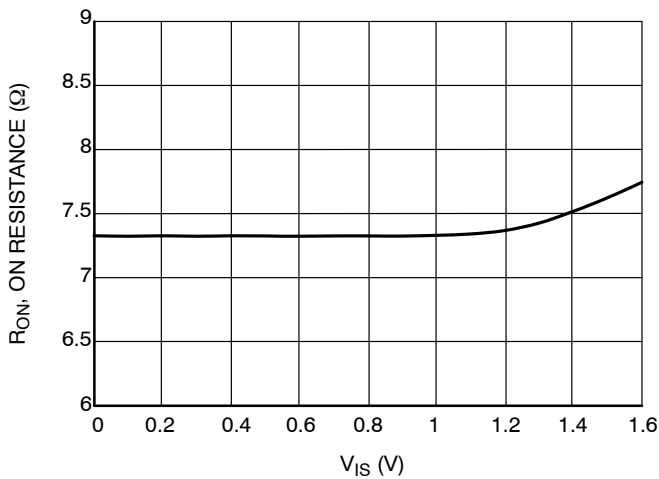


Figure 8. RON vs. VIS

PARAMETER MEASUREMENT INFORMATION

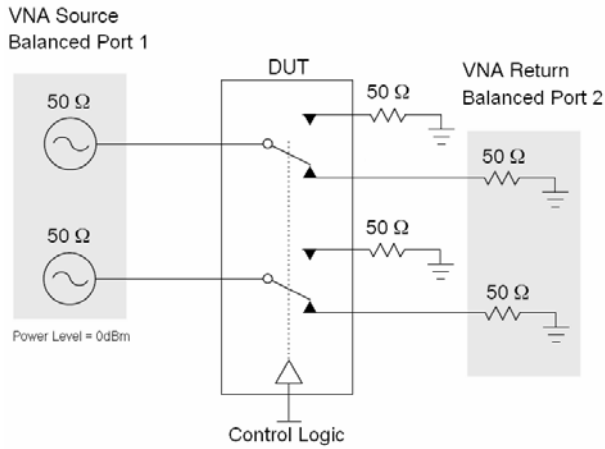


Figure 9. Differential Insertion Loss ( $S_{DD21}$ ) and Differential Return Loss ( $S_{DD11}$ )

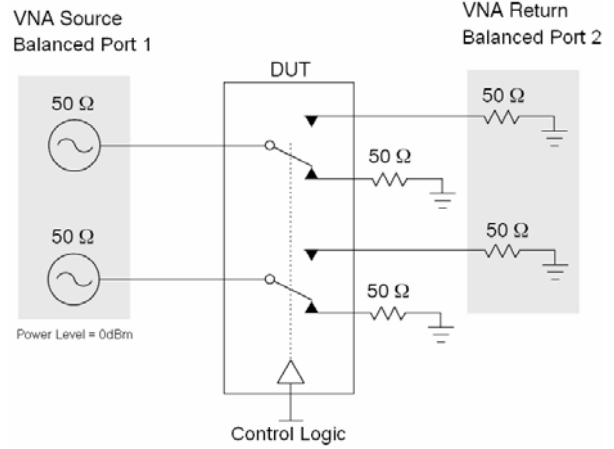


Figure 10. Differential Off Isolation ( $S_{DD21}$ )

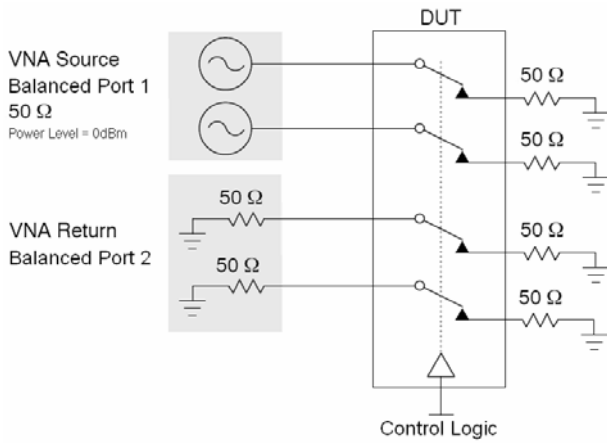


Figure 11. Differential Crosstalk ( $S_{DD21}$ )

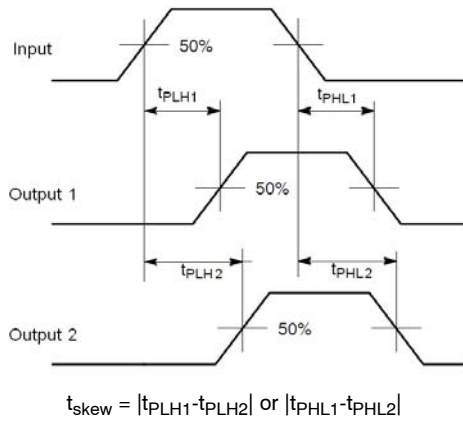


Figure 12. Bit-to-Bit and Channel-to-Channel Skew

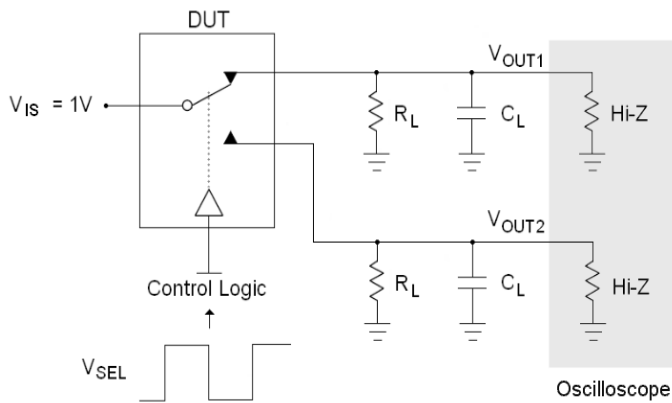


Figure 13.  $t_{ON}$  and  $t_{OFF}$

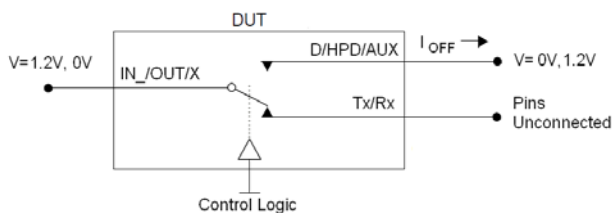
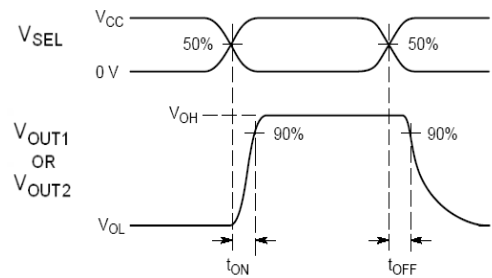


Figure 14. Off State Leakage

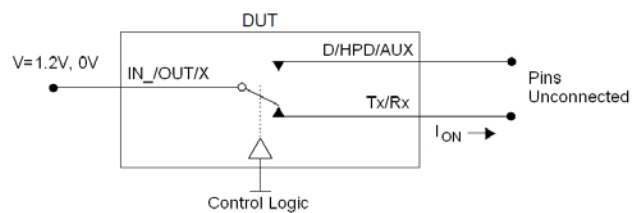


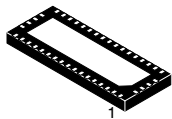
Figure 15. On State Leakage



# MECHANICAL CASE OUTLINE

## PACKAGE DIMENSIONS

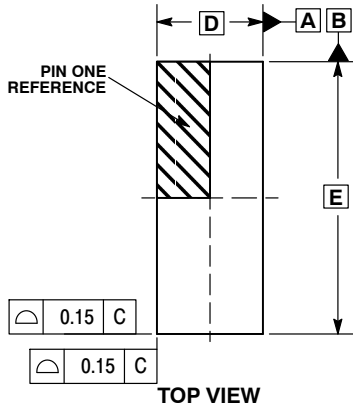
ON Semiconductor®



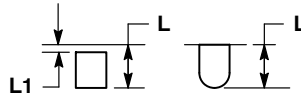
SCALE 2:1

WQFN42 3.5x9, 0.5P  
CASE 510AP-01  
ISSUE O

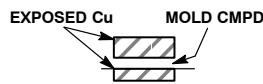
DATE 15 FEB 2010



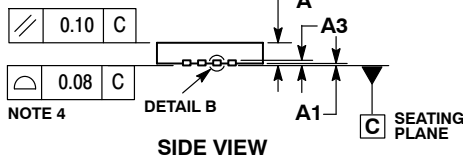
TOP VIEW



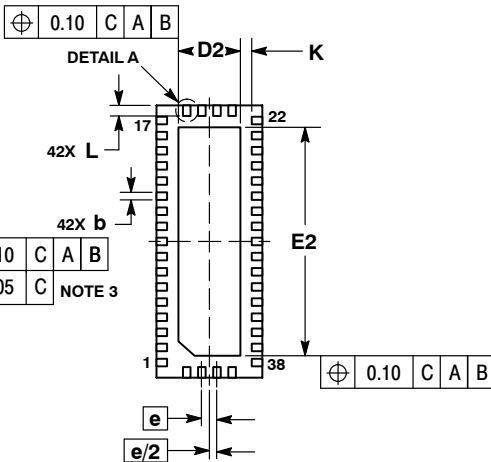
DETAIL A  
ALTERNATE TERMINAL  
CONSTRUCTIONS



DETAIL B  
ALTERNATE  
CONSTRUCTION



SIDE VIEW



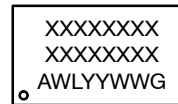
BOTTOM VIEW

NOTES:

1. DIMENSIONING AND TOLERANCING PER ASME Y14.5M, 1994.
2. CONTROLLING DIMENSION: MILLIMETERS.
3. DIMENSION b APPLIES TO PLATED TERMINAL AND IS MEASURED BETWEEN 0.15 AND 0.30 MM FROM TERMINAL TIP.
4. COPLANARITY APPLIES TO THE EXPOSED PAD AS WELL AS THE TERMINALS.

DIM	MILLIMETERS	
	MIN	MAX
A	0.70	0.80
A1	0.00	0.05
A3	0.20 REF	
b	0.20	0.30
D	3.50 BSC	
D2	1.95	2.15
E	9.00 BSC	
E2	7.45	7.65
e	0.50 BSC	
K	0.20	---
L	0.30	0.50
L1	0.00	0.15

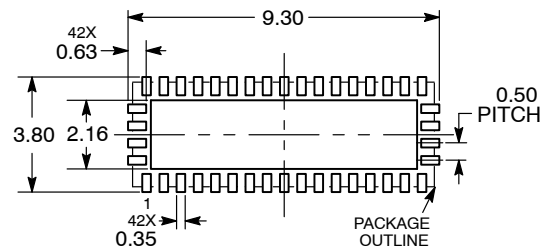
GENERIC  
MARKING DIAGRAM\*



- XXXXX = Specific Device Code
- A = Assembly Location
- WL = Wafer Lot
- YY = Year
- WW = Work Week
- G = Pb-Free Package

\*This information is generic. Please refer to device data sheet for actual part marking. Pb-Free indicator, "G", may or not be present.

RECOMMENDED  
MOUNTING FOOTPRINT



DIMENSIONS: MILLIMETERS

DOCUMENT NUMBER:	98AON48316E	Electronic versions are uncontrolled except when accessed directly from the Document Repository. Printed versions are uncontrolled except when stamped "CONTROLLED COPY" in red.
DESCRIPTION:	WQFN42 3.5X9, 0.5P	PAGE 1 OF 1

ON Semiconductor and are trademarks of Semiconductor Components Industries, LLC dba ON Semiconductor or its subsidiaries in the United States and/or other countries. ON Semiconductor reserves the right to make changes without further notice to any products herein. ON Semiconductor makes no warranty, representation or guarantee regarding the suitability of its products for any particular purpose, nor does ON Semiconductor assume any liability arising out of the application or use of any product or circuit, and specifically disclaims any and all liability, including without limitation special, consequential or incidental damages. ON Semiconductor does not convey any license under its patent rights nor the rights of others.

ON Semiconductor and  are trademarks of Semiconductor Components Industries, LLC dba ON Semiconductor or its subsidiaries in the United States and/or other countries. ON Semiconductor owns the rights to a number of patents, trademarks, copyrights, trade secrets, and other intellectual property. A listing of ON Semiconductor's product/patent coverage may be accessed at [www.onsemi.com/site/pdf/Patent-Marking.pdf](http://www.onsemi.com/site/pdf/Patent-Marking.pdf). ON Semiconductor reserves the right to make changes without further notice to any products herein. ON Semiconductor makes no warranty, representation or guarantee regarding the suitability of its products for any particular purpose, nor does ON Semiconductor assume any liability arising out of the application or use of any product or circuit, and specifically disclaims any and all liability, including without limitation special, consequential or incidental damages. Buyer is responsible for its products and applications using ON Semiconductor products, including compliance with all laws, regulations and safety requirements or standards, regardless of any support or applications information provided by ON Semiconductor. "Typical" parameters which may be provided in ON Semiconductor data sheets and/or specifications can and do vary in different applications and actual performance may vary over time. All operating parameters, including "Typicals" must be validated for each customer application by customer's technical experts. ON Semiconductor does not convey any license under its patent rights nor the rights of others. ON Semiconductor products are not designed, intended, or authorized for use as a critical component in life support systems or any FDA Class 3 medical devices or medical devices with a same or similar classification in a foreign jurisdiction or any devices intended for implantation in the human body. Should Buyer purchase or use ON Semiconductor products for any such unintended or unauthorized application, Buyer shall indemnify and hold ON Semiconductor and its officers, employees, subsidiaries, affiliates, and distributors harmless against all claims, costs, damages, and expenses, and reasonable attorney fees arising out of, directly or indirectly, any claim of personal injury or death associated with such unintended or unauthorized use, even if such claim alleges that ON Semiconductor was negligent regarding the design or manufacture of the part. ON Semiconductor is an Equal Opportunity/Affirmative Action Employer. This literature is subject to all applicable copyright laws and is not for resale in any manner.

## PUBLICATION ORDERING INFORMATION

### LITERATURE FULFILLMENT:

Email Requests to: [orderlit@onsemi.com](mailto:orderlit@onsemi.com)

ON Semiconductor Website: [www.onsemi.com](http://www.onsemi.com)

### TECHNICAL SUPPORT

North American Technical Support:  
Voice Mail: 1 800-282-9855 Toll Free USA/Canada  
Phone: 011 421 33 790 2910

Europe, Middle East and Africa Technical Support:

Phone: 00421 33 790 2910

For additional information, please contact your local Sales Representative