

Buck Converter - High Current, Synchronous

NCP3235

The NCP3235 is a high current, high efficiency voltage mode synchronous buck converter which operates from 4.5 V to 23 V input and generates output voltages down to 0.6 V at up to 15 A continuous current. It has two operation modes: FCCM and automatic CCM/DCM. In automatic CCM/DCM mode, the controller can switch smoothly between CCM and DCM, where converter runs at reduced switching frequency to achieve much higher efficiency at light load. The NCP3235 is available in 6 mm x 6 mm QFN-40 pin package.

Features

- Wide Input Voltage Range from 4.5 V to 23 V
- 0.6 V Internal Reference Voltage
- Switching Frequency Option: 550 kHz, 1.1 MHz
- External Programmable Soft-Start
- Lossless Low-side FET Current Sensing
- Output Over-voltage Protection and Under-voltage Protection
- Selective Hiccup/Latch Off Operation for All Faults
- Pre-bias Start-up
- Adjustable Output Voltage
- Power Good Output
- Internal Over-temperature Protection
- Adjustable Input UVLO
- This is a Pb-Free Device

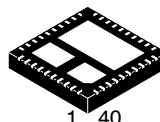
Typical Application

- Industry PC Equipment
- ASIC, FPGA, DSP and CPU Core and I/O Supplies
- Server and Storage System
- Telecom and Network Equipment



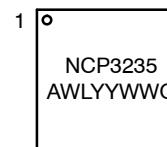
ON Semiconductor®

www.onsemi.com



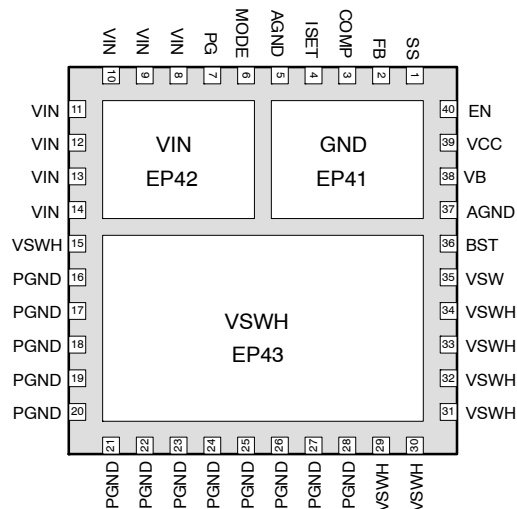
QFN40 6x6, 0.5P
CASE 485CM

MARKING DIAGRAM



A = Assembly Location
 WL = Wafer Lot
 YY = Year
 WW = Work Week
 G = Pb-Free Package

PIN CONNECTIONS



(Top View)

ORDERING INFORMATION

Device	Package	Shipping [†]
NCP3235MNTXG	QFN-40 (Pb-Free)	2500 / Tape & Reel

[†]For information on tape and reel specifications, including part orientation and tape sizes, please refer to our Tape and Reel Packaging Specification Brochure, BRD8011/D.

NCP3235

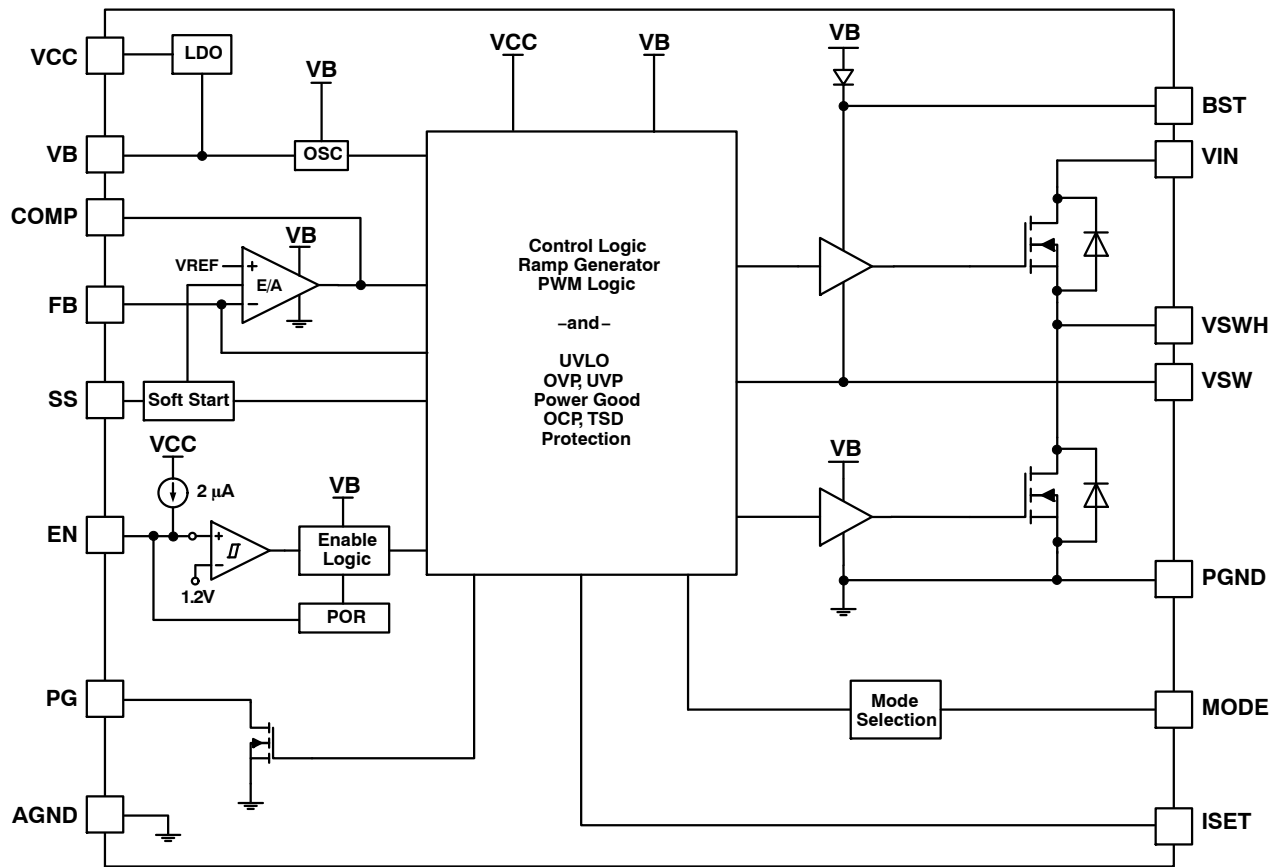


Figure 1. NCP3235 Block Diagram

Table 1. PIN DESCRIPTION

Pin No.	Symbol	Description
1	SS	A capacitor from this pin to GND allows the user to adjust the soft-start ramp time.
2	FB	Output voltage feedback.
3	COMP	Output of the error amplifier.
4	ISET	A resistor from this pin to ground sets the over-current protection (OCP) threshold.
5, 37	AGND	Analog ground.
6	MODE	Mode selection for FCCM mode and automatic CCM/DCM mode, switching frequency and hiccup/latch protection mode. See table I in the latter page.
7	PG	Power good indicator of the output voltage. Open-drain output. Connect PG to VDD with an external resistor.
8-14, EP42	VIN	The VIN pin is connected to the internal power NMOS switch. The VIN pin has high di/dt edges and must be decoupled to ground close to the pin of the device.
15, 29-34, EP43	VSWH	The VSWH pin is the connection of the drain and source of the internal NMOS switches. At switch off, the inductor will drive this pin below ground as the body diode and the NMOS conducts with a high dv/dt.
16-28	PGND	Ground reference and high-current return path for the bottom gate driver and low-side NMOS.
35	VSW	IC connection to the switch node between the top MOSFET and bottom MOSFET. Return path of the high-side gate driver.
36	BST	Top gate driver input supply, a bootstrap capacitor connection between the switch node and this pin.
38	VB	The internal LDO output and supply for the NCP3235. Connect a minimum of 4.7uF ceramic capacitor from this pin to ground.
39	VCC	Input Supply for IC. This pin must be connected to VIN.
40	EN	Logic control for enabling the switcher. An internal pull-up enables the device automatically. The EN pin can also be driven high to turn on the device, or low to turn off the device. A comparator and precision reference allow the user to implement this pin as an adjustable UVLO circuit.
EP41	GND	Exposed Pad. Connect GND to a large copper plane at ground potential to improve thermal dissipation.

NCP3235

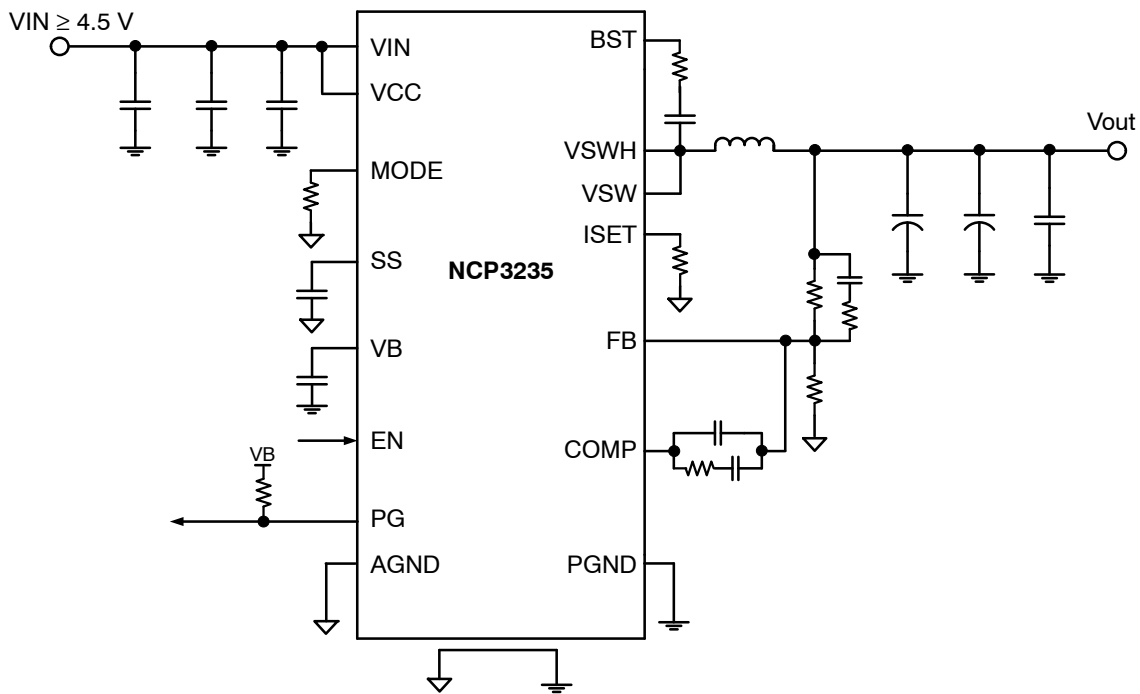


Figure 2. NCP3235 Typical Application Circuit Without External VCC

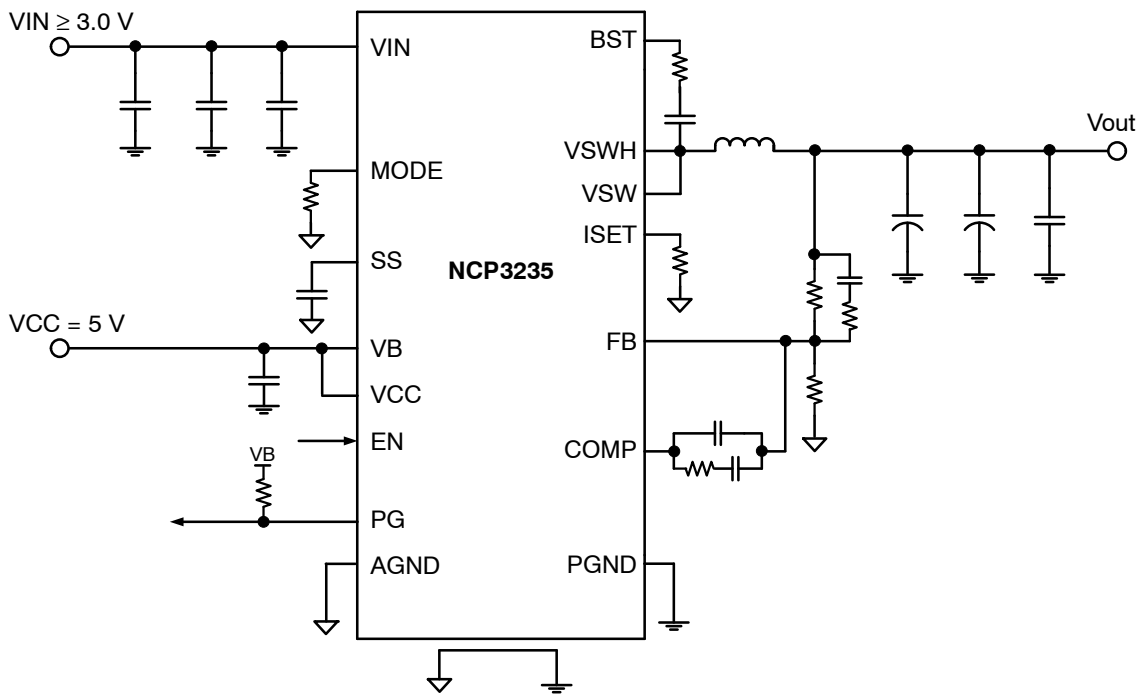


Figure 3. NCP3235 Typical Application Circuit With VCC = 5 V

NCP3235

Table 2. ABSOLUTE MAXIMUM RATINGS (measured vs. GND pad, unless otherwise noted)

Rating	Symbol	Value	Unit
Power Supply to GND	VIN, VCC	23 -0.3	V
VSW to GND	VSWH, VSW	30 -0.6 (DC) 35 (t < 50 ns) -5 (t < 50 ns)	V
BST to GND	BST	35 (DC) -0.6 (DC) 40 (t < 50 ns)	V
BST to VSW	VBST_VSW	6.5 (DC) -0.3 (DC)	V
VIN to VSW, VIN = VCC		-0.3 to 28 (DC) -4 (t < 50 ns)	V
All other input pins		6.0 -0.3	V
Electrostatic Discharge Human body model	HBM	1.0	kV
Electrostatic Discharge Charge device model	CDM	2.0	kV
Operating Ambient Temperature Range	T _A	-40 to +125	°C
Operating Junction Temperature Range	T _J	-40 to +125	°C
Maximum Junction Temperature	T _{J(MAX)}	+150	°C
Storage Temperature Range	T _{stg}	-55 to +150	°C

Stresses exceeding those listed in the Maximum Ratings table may damage the device. If any of these limits are exceeded, device functionality should not be assumed, damage may occur and reliability may be affected.

Table 3. THERMAL INFORMATION

HS FET Junction-to-case-bottom thermal resistance (Note 1)	R _{θJC-HS}	1.3	°C/W
LS FET Junction-to-case-bottom thermal resistance (Note 1)	R _{θJC-LS}	0.6	°C/W
Junction-to-ambient thermal resistance	R _{θA}	35	°C/W

1. R_{θJC} thermal resistance is obtained by simulating a cold plate test on the exposed power pad. No specific JEDEC standard test exists, but a close description can be found in the ANSI SEMI standard G30-88.

NCP3235

Table 4. ELECTRICAL CHARACTERISTICS

 (−40°C < T_J < +125°C, V_{CC} = 12 V, for min/max values unless otherwise noted, T_J = +25°C for typical values)

Parameter	Symbol	Test Conditions	Min	Typ	Max	Units
POWER SUPPLY						
VIN/VCC Operation Voltage	VIN/VCC		4.5		21	V
VB UVLO Threshold (Rising)			4.2	4.3	4.4	V
VB UVLO Threshold (Falling)			3.8	3.95	4.0	V
VB Output Voltage	VB	VCC = 6 V, 0 ≤ IB ≤ 40 mA	4.86	5.15	5.45	V
VB Dropout voltage		IB = 25 mA, VCC = 4.5 V		65	120	mV
VCC Quiescent Current		EN=H, COMP=H, no switching; PG open; no switching		4.7	6.4	mA
Shutdown Supply Current		EN=0; Vcc=21 V; PG open		100	140	μA
		EN=0; Vcc=4.5; PG open		75	85	μA
FEEDBACK VOLTAGE						
FB input voltage	VFB	TJ = 25°C, 4.5 V ≤ VCC ≤ 21 V	597	600	603	mV
		−40°C ≤ TJ ≤ 125°C; 4.5 V ≤ VCC ≤ 21 V	594	600	606	
Feedback Input Bias Current	IFB	VFB = 0.6 V			75	nA
ERROR AMPLIFIER						
Open Loop DC Gain (GBD)			60	85		dB
Open Loop Unity Gain Bandwidth	F0dB,EA			24		MHz
Open Loop Phase Margin				60		deg
Slew Rate		COMP pin to GND = 10 pF		2.5		V/μs
COMP Clamp Voltage, High				3.3		V
COMP Clamp Voltage, Low				0.57		V
Output Source Current		VFB = 0.55 V	15			mA
Output Sink Current		VFB = 1 V	20			mA
CURRENT LIMIT						
Low-side R _{DS(on)} /ISET	R _{DS(on)} / ISET	Guaranteed by characterization, T _J = 25°C		108		Ω/A
Low-side ISET Current Source Temperature Coefficient	TC_LS_ISET			+0.33		%/°C
Low-side OCP switch-over threshold		Guaranteed by design		600		mV
Low-side Fixed OCP threshold	LS_OCPth	Guaranteed by design		600		mV
Low-side programmable OCP range		Guaranteed by design			<600	mV
LS OCP Blanking time	LS_Tblink	Guaranteed by design		150		ns
PWM						
Maximum duty cycle		fsw = 550 kHz, 4.5 V < VCC < 21 V		87		%
		fsw = 1.1 MHz, 4.5 V < VCC < 21 V		76		
Minimum duty cycle		VCOMP < PWM Ramp Offset Voltage		0		%
Minimum GH on-time		Guaranteed by design		35		ns
PWM Ramp Amplitude		Guaranteed by characterization	VCC/7.9	VCC/6.5	VCC/5.6	V
PWM Ramp Offset				0.67		V

NCP3235

Table 4. ELECTRICAL CHARACTERISTICS

($-40^{\circ}\text{C} < T_J < +125^{\circ}\text{C}$, $V_{CC} = 12\text{ V}$, for min/max values unless otherwise noted, $T_J = +25^{\circ}\text{C}$ for typical values)

Parameter	Symbol	Test Conditions	Min	Typ	Max	Units
OSCILLATOR						
Oscillator Frequency Range	fsw	fsw = 550 kHz 4.5 V < VCC < 21 V	500	550	600	kHz
		fsw = 1100 kHz 4.5 V < VCC < 21 V	990	1100	1210	
Hiccup Timer	Thiccup	tss < 1 ms		4		ms
		Tss > 1 ms		4 x tss		
ZERO CROSSING						
Zero Crossing Comparator Internal Offset		PGND-VSW, Automatic CCM/DCM Guaranteed by design	-4.5	-3.0	-1.5	mV
MODE						
Mode pin threshold voltage	ModeTHS	GND			0.25	V
		49.9 kΩ	0.43		0.65	
		100 kΩ	0.86		1.15	
		174 kΩ	1.48		2.0	
		Floating	2.4			
Mode pin source current	I _{Mode}		8.8	10	11.2	μA
ENABLE INPUT (EN)						
EN Input Operating Range					5.5	V
Enable Threshold Voltage	V _{EN}	Min VEN rising	1.11	1.2	1.29	V
Enable Threshold Voltage		Max VEN falling		1.05		V
Deep Disable Threshold			0.7	0.8	0.9	V
Enable Pull-up Current				2		μA
SOFTSTART INPUT (SS)						
SS Startup Delay	tSSD			1.45		ms
SS End Threshold	SSEND			0.6		V
SS Source Current	ISS		2.15	2.5	2.8	μA
VOLTAGE MONITOR						
Power Good Sink Current		PG = 0.15 V	10	20	30	mA
Output Overvoltage Rising Threshold			687	700	713	mV
Overvoltage Fault Blanking Time				4.0		μs
Output Under-Voltage Trip Threshold			475	500	525	mV
Under-voltage Protection Blanking Time				20		μs
POWER STAGE						
High-side On Resistance	RDSONH	VIN/VCC = 5 V, ID = 2 A		6.5	10	mΩ
Low-side On Resistance	RDSONL	VIN/VCC = 5 V, ID = 2 A		2.9	5.2	mΩ
VFBOOT		IBOOT = 2 mA		28		mV
THERMAL SHUTDOWN						
Thermal Shutdown Threshold		Guaranteed by Characterization		150		°C
Thermal Shutdown Hysteresis		Guaranteed by Characterization		25		°C

Product parametric performance is indicated in the Electrical Characteristics for the listed test conditions, unless otherwise noted. Product performance may not be indicated by the Electrical Characteristics if operated under different conditions.

TYPICAL CHARACTERISTICS

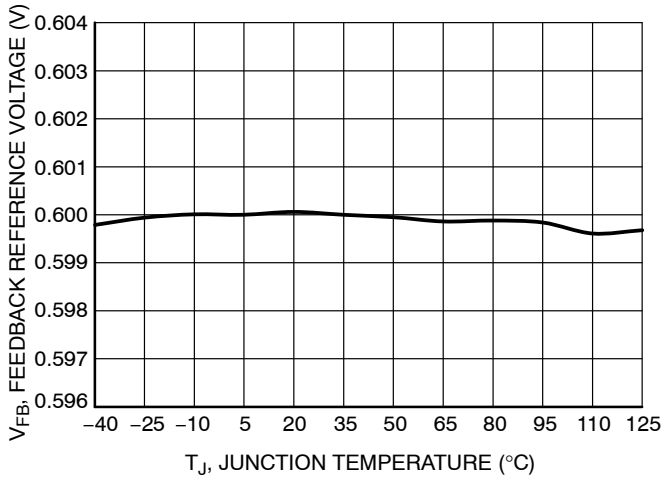


Figure 4. Reference Voltage vs. Temperature

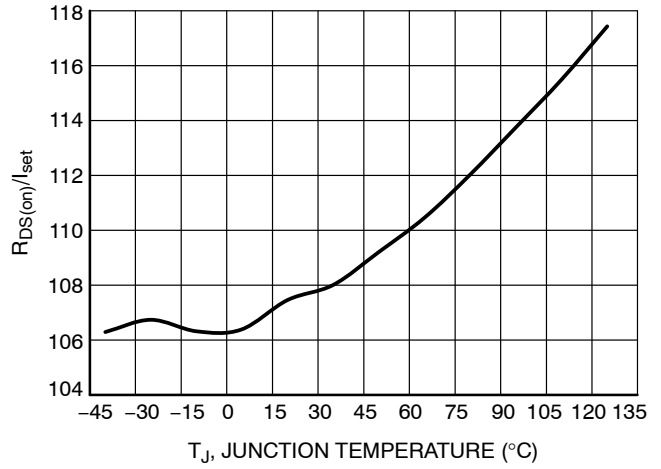


Figure 5. R_{DS(on)}/I_{set} vs. Temperature

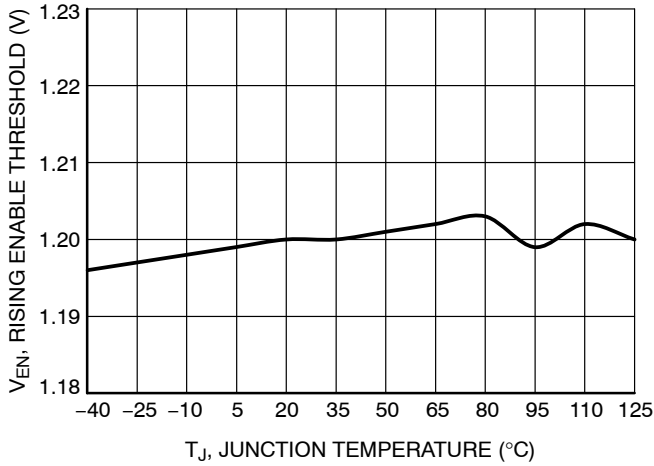


Figure 6. Rising Enable Threshold vs. Temperature

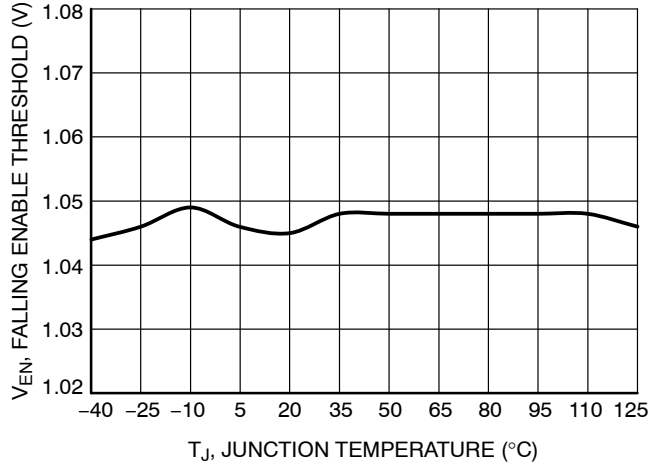


Figure 7. Falling Enable Threshold vs. Temperature

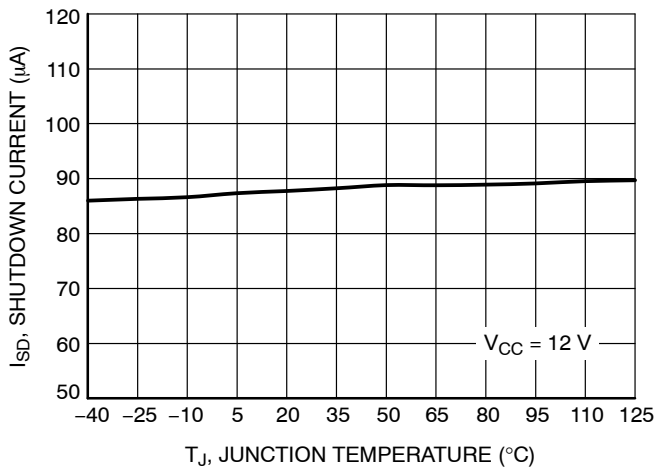


Figure 8. Shutdown Current vs. Temperature

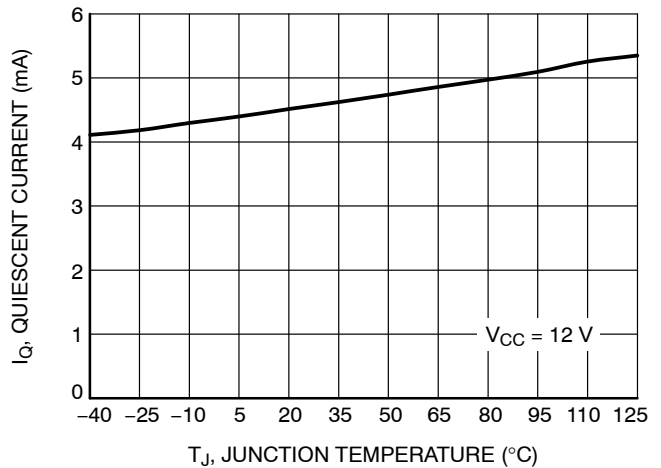


Figure 9. Quiescent Current vs. Temperature

TYPICAL CHARACTERISTICS

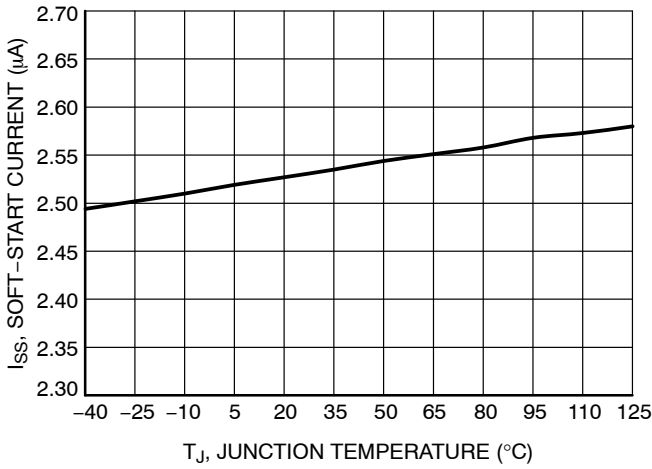


Figure 10. Soft-start Current vs. Temperature

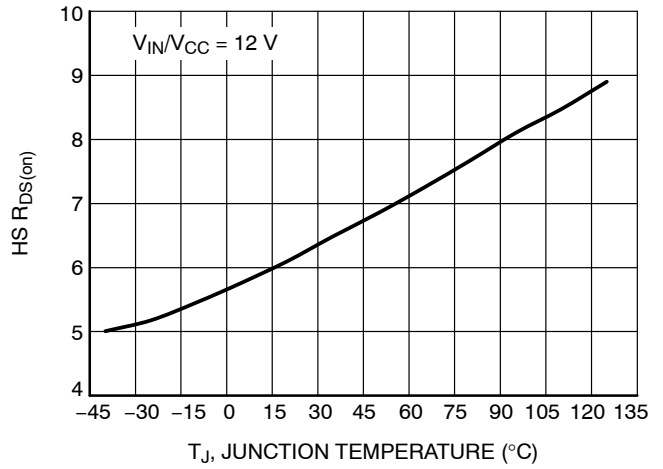


Figure 11. HS R_{DS(on)} vs. Temperature

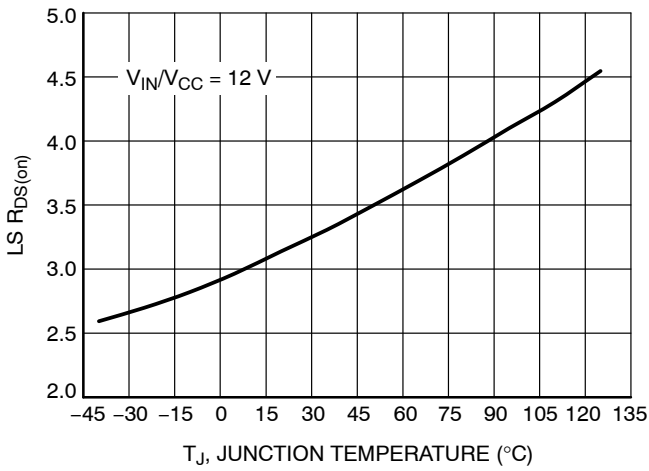


Figure 12. LS R_{DS(on)} vs. Temperature

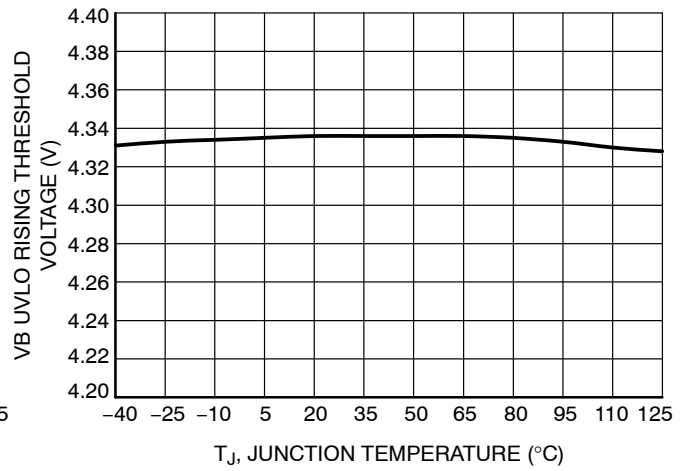


Figure 13. VB UVLO Rising Threshold vs. Junction Temperature

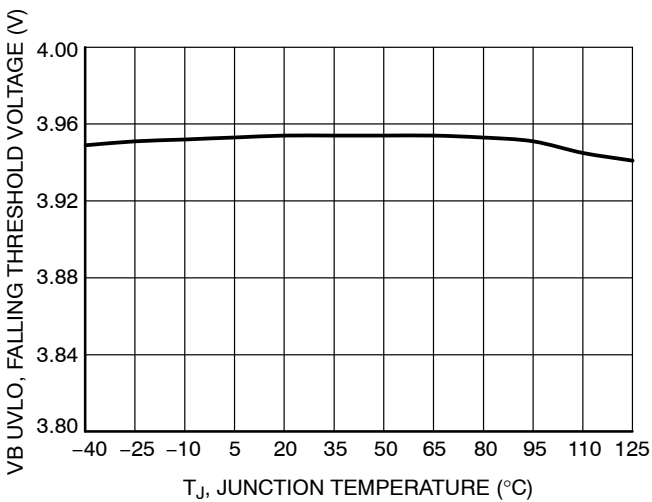


Figure 14. VB UVLO Falling Threshold vs. Junction Temperature

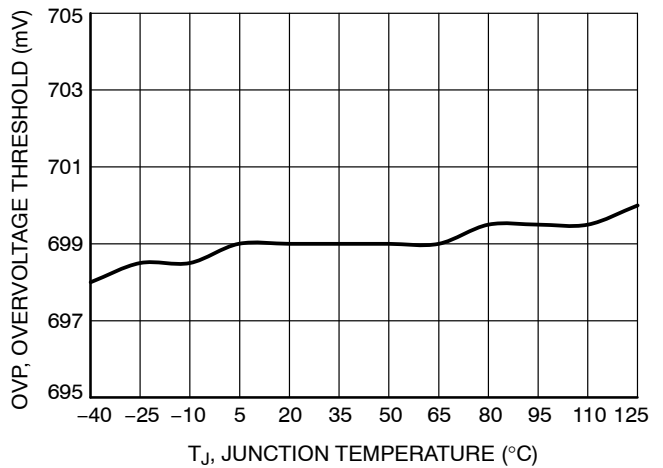


Figure 15. Output OVP vs. Junction Temperature

TYPICAL CHARACTERISTICS

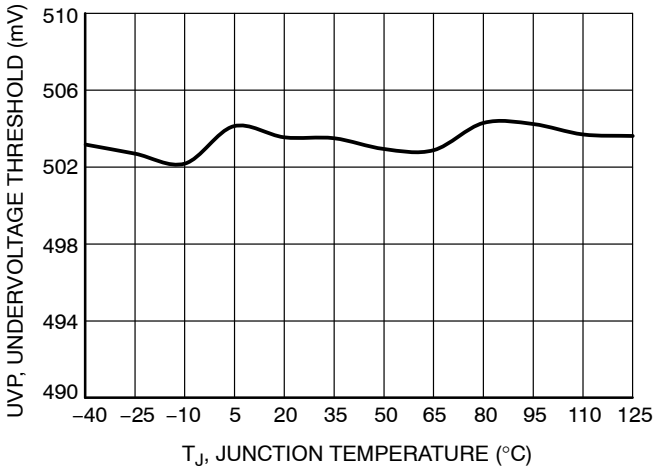


Figure 16. Output UVP vs. Junction Temperature

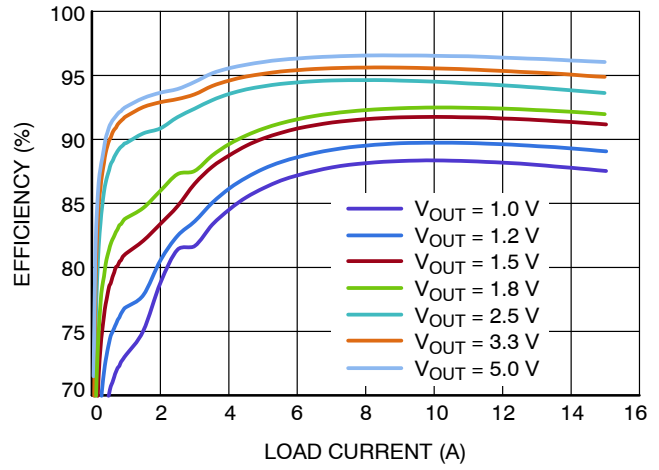


Figure 17. Efficiency ($F_{SW} = 550 \text{ kHz}$, $V_{IN} = 12 \text{ V}$, $T_A = \text{Room}$)

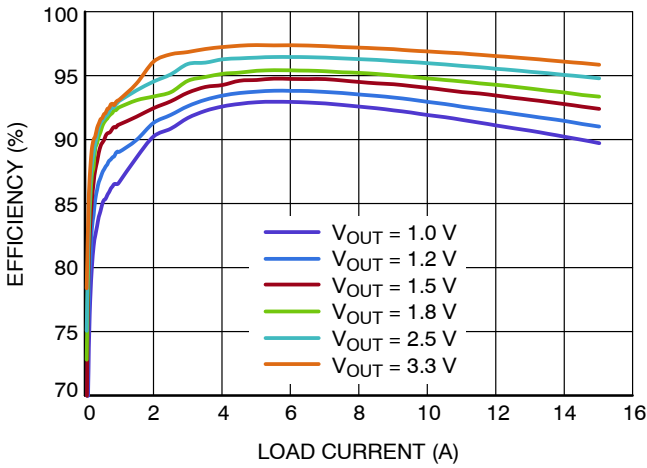


Figure 18. Efficiency ($F_{SW} = 550 \text{ kHz}$, $V_{IN} = 5 \text{ V}$, $T_A = \text{Room}$)

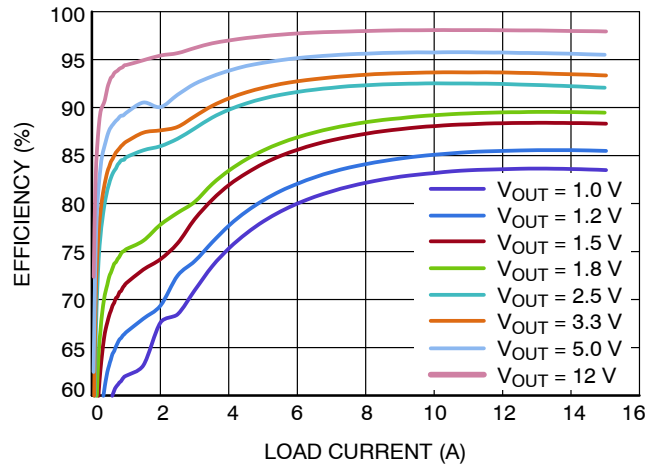


Figure 19. Efficiency ($F_{SW} = 550 \text{ kHz}$, $V_{IN} = 19 \text{ V}$, $T_A = \text{Room}$)

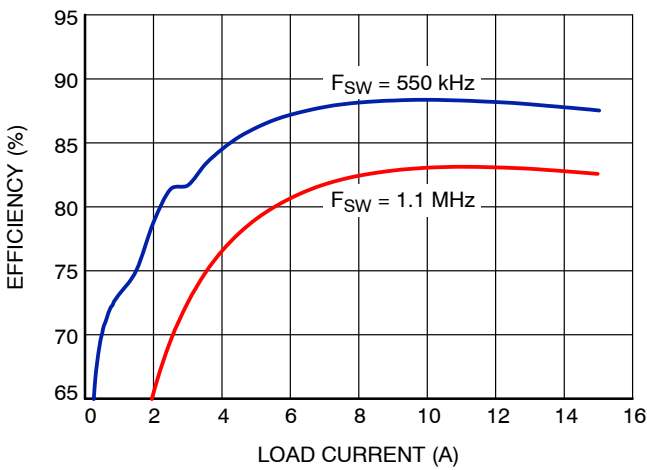


Figure 20. Efficiency ($V_{OUT} = 1.0 \text{ V}$, $V_{IN} = 12 \text{ V}$, $T_A = \text{Room}$)

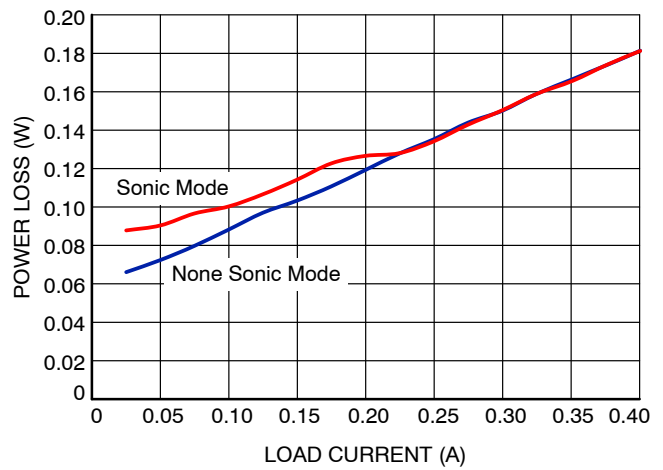
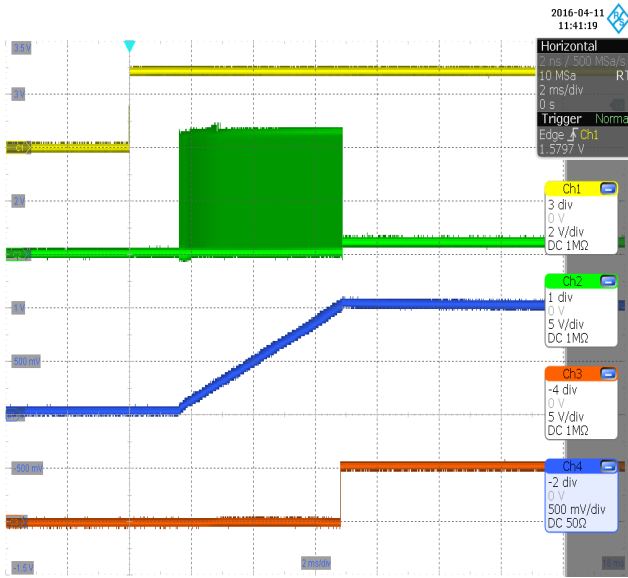


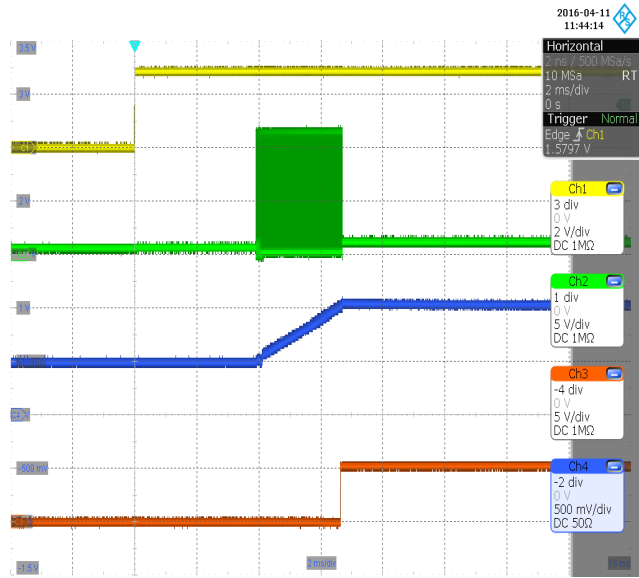
Figure 21. Power Loss Difference ($V_{OUT} = 1.0 \text{ V}$, $V_{IN} = 12 \text{ V}$, $T_A = \text{Room}$)

TYPICAL CHARACTERISTICS



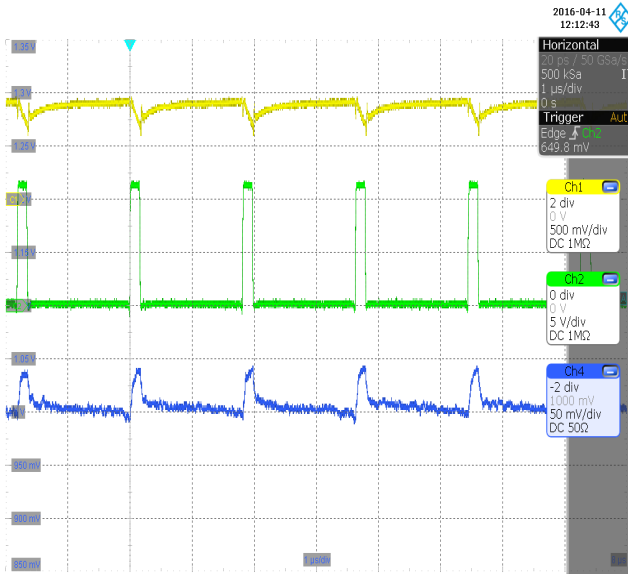
CH1 (Yellow): EN
 CH2 (Green): VSW
 CH3 (Orange): PG
 CH4 (Blue): Vout

Figure 22. Soft Start Waveform (no load, sonic mode disabled)



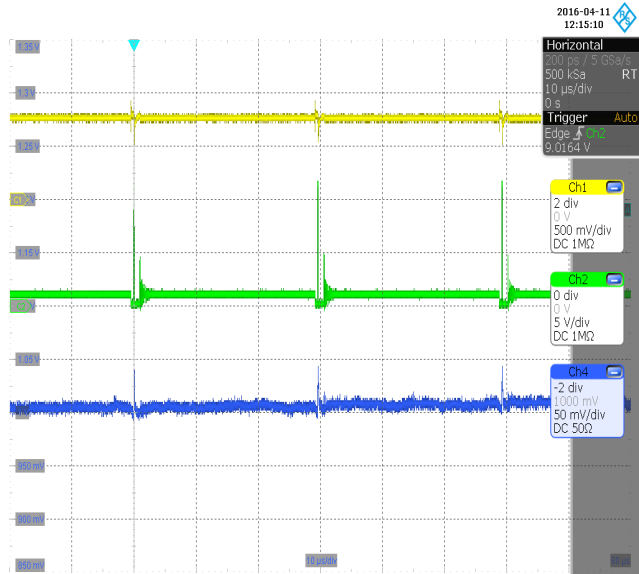
CH1 (Yellow): EN
 CH2 (Green): VSW
 CH3 (Orange): PG
 CH4 (Blue): Vout

Figure 23. Pre-biased Soft Start Waveform (no load, sonic mode disabled)



CH1 (Yellow): COMP
 CH2 (Green): VSW
 CH3 (Blue): Vout

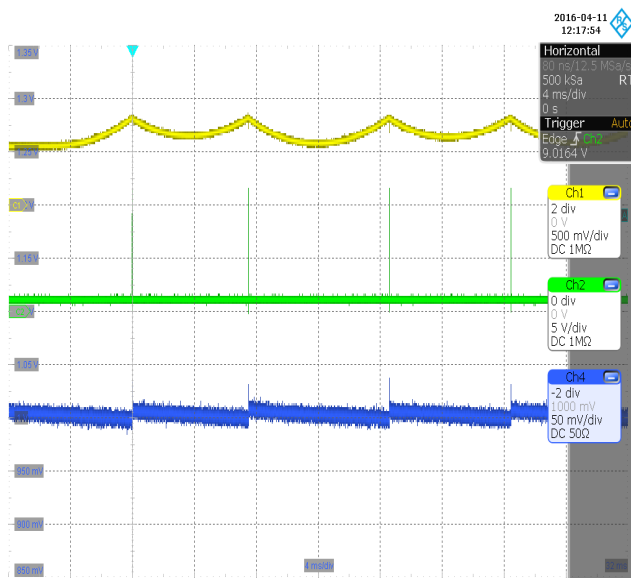
Figure 24. Steady-state CCM Operation (load = 10 A)



CH1 (Yellow): COMP
 CH2 (Green): VSW
 CH3 (Blue): Vout

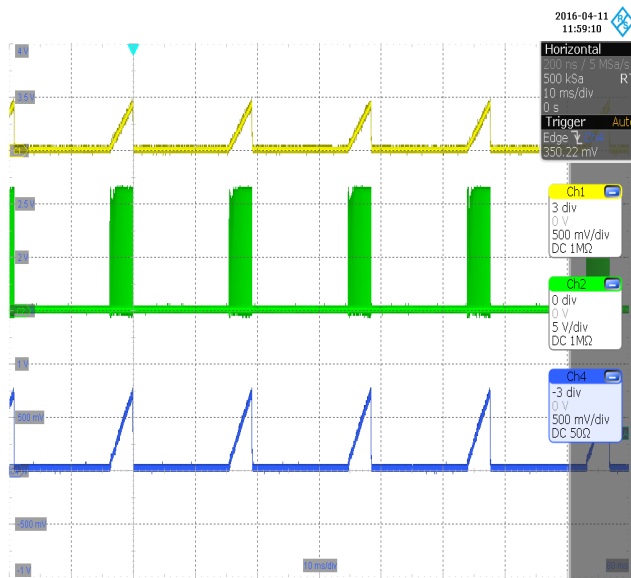
Figure 25. Steady-state DCM Operation (load = 0 A), sonic mode (enabled) limits switching frequency around 30 kHz

TYPICAL CHARACTERISTICS



CH1 (Yellow): COMP
 CH2 (Green): VSW
 CH3 (Blue): Vout

Figure 26. Stead-state DCM Operation (load = 0 A), sonic mode (disabled) allows switching frequency drop to about 100 Hz



CH1 (Yellow): SS pin
 CH2 (Green): VSW
 CH3 (Blue): Vout

Figure 27. Hiccup in Over Current Protection

OPERATION DESCRIPTION

The NCP3235 is a high efficiency, high current PWM synchronous buck converter. It operates with a single supply voltage from 4.5 to 23 V and provides output current as high as 15 A. NCP3235 utilizes voltage mode with voltage feed-forward control to respond instantly to input voltage changes and provide for easier compensation over the supply range of the converter. The device also includes pre-bias startup capability to allow monotonic startup in the event of a pre-biased output condition.

The NCP3235 provides two operation modes to fit various application requirements. The automatic CCM/DCM mode operation provides reduced power loss and increases the efficiency at light load. The adaptive power control

architecture enables smooth transition between light load and heavy load while maintaining fast response to load transients.

Protection features include overcurrent protection (OCP), output over and under voltage protection (OVP, UVP), and power good indicator. The enable function is highly programmable to allow for adjustable startup voltages at higher input voltages. There is also an adjustable soft-start, and internal thermal shutdown.

Operation Mode

The NCP3235 offers five options programmed by MODE pin connections, see Table 5 below.

Table 5. OPERATION MODE SELECTION

MODE pin Connection	Switching Frequency	Operation Mode	Overvoltage Protection	Sonic Mode
GND	550 kHz	Automatic CCM/DCM	Latch off	enabled
49.9 k Ω ($\pm 1\%$)	550 kHz	Automatic CCM/DCM	Latch off	disabled
100 k Ω ($\pm 1\%$)	1.1 MHz	Automatic CCM/DCM	Latch off	enabled
174 k Ω ($\pm 1\%$)	1.1 MHz	FCCM	Hiccup	not applied
Floating	1.1 MHz	Automatic CCM/DCM	Latch off	disabled

In forced continuous conduction mode (FCCM), the high-side FET is ON during the on-time and the low-side FET is ON during the off-time. The switching is synchronized to an internal clock thus the switching frequency is fixed.

In Automatic CCM/DCM mode, the high-side FET is ON during the on-time and low-side FET is ON during the off-time until the inductor current reaches zero. An internal zero-crossing comparator detects the zero crossing of the inductor current from positive to negative. When the inductor current reaches zero, the comparator sends a signal to the logic circuitry and turns off the low-side FET.

When the load is increased, the inductor current is always positive and the zero-crossing comparator does not send any zero-crossing signal. The converter enters into continuous conduction mode (CCM) when no zero-crossing is detected for two consecutive PWM pulses. In CCM mode, the switching synchronizes to the internal clock and the switching frequency is fixed.

For high output voltage more than 1.8 V, recommend mode selection of either FCCM or sonic mode enabled to avoid low voltage in BST cap at no-load condition.

Automatic Power Saving Mode

In Automatic CCM/DCM mode when the load current decreases, the converter will enter power saving mode operation. During power saving mode, the low-side MOSFET will turn off when the inductor current reaches

zero. So the converter skips switching and operates with reduced frequency, which minimizes the quiescent current and maintains high efficiency. When sonic mode is enabled, the lowest switching frequency is limited above 30 kHz to stay out of audible noise frequency range.

Forced Continuous Conduction Mode

When MODE pin is connected with 175 k Ω resistor, the NCP3235 is operating in forced continuous conduction mode in both light load and heavy load conditions. In this mode, the switching frequency remains constant over the entire load range, making it suitable for applications that need tight regulation of switching frequency at a cost of lower efficiency at light load.

Reference Voltage

The NCP3235 incorporates an internal reference that allows output voltages as low as 0.6 V. The tolerance of the internal reference is guaranteed over the entire operating temperature range of the controller. The reference voltage is trimmed using a test configuration that accounts for error amplifier offset and bias currents.

Oscillator Ramp

The ramp waveform is a saw-tooth form at the PWM frequency with a peak-to-peak amplitude of $V_{CC}/6.0$, offset from GND by typically 0.64 V. The PWM duty cycle is limited to a maximum of 92%, allowing the bootstrap capacitors to charge during each cycle.

Error Amplifier

The error amplifier’s primary function is to regulate the converter’s output voltage using a resistor divider connected from the converter’s output to the FB pin of the controller, as shown in the Applications Schematic. A type III compensation network must be connected around the error amplifier to stabilize the converter. It has a bandwidth of greater than 24 MHz, with open loop gain of at least 60 dB.

Programmable Soft-Start

An external capacitor connected from the SS pin to ground sets up the soft start period, which can limit the start-up inrush current. The soft start period can be programmed based on the Equation 1.

$$t_{SS} = \frac{C_{SS} \cdot V_{ref}}{I_{SS}} \quad (\text{eq. 1})$$

OCP and TSD (thermal shutdown) are the only protections that are active during a soft-start.

Adaptive Non-Overlap Gate Driver

In a synchronous buck converter, a certain dead time is required between the low side drive signal and high side drive signal to avoid shoot through. During the dead time, the body diode of the low side FET freewheels the current. The body diode has much higher voltage drop than that of the MOSFET, which reduces the efficiency significantly. The longer the body diode conducts, the lower the efficiency. NCP3235 implements adaptive dead time control to minimize the dead time, as well as preventing shoot through.

Precision Enable (EN)

The ENABLE block allows the output to be toggled on and off and is a precision analog input.

When the EN voltage exceeds V_EN, the controller will initiate the soft-start sequence as long as the input voltage and sub-regulated voltage have exceeded their UVLO thresholds. V_EN_hyst helps to reject noise and allow the

pin to be resistively coupled to the input voltage or sequenced with other rails.

If the EN voltage is held below typically 0.8 V, the NCP3235 enters a deep disable state where the internal bias circuitry is off. As the voltage at EN continues to rise, the Enable comparator and reference are active and provide a more accurate EN threshold. The drivers are held off until the rising voltage at EN crosses V_EN. An internal 2 μA pullup automatically enables the device when the EN pin is left floating.

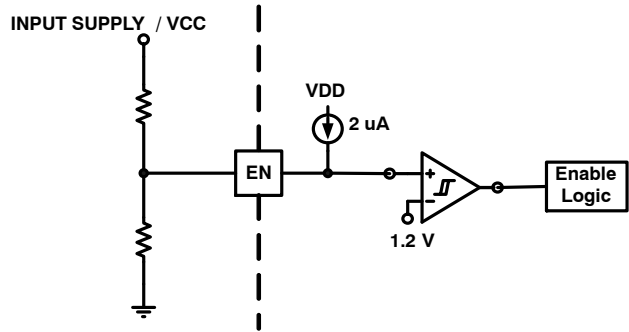


Figure 28. Enable Functional Block Diagram

Pre-bias Startup

In some applications the controller will be required to start switching when it’s output capacitors are charged anywhere from slightly above 0 V to just below the regulation voltage. This situation occurs for a number of reasons: the converter’s output capacitors may have residual charge on them or the converter’s output may be held up by a low current standby power supply. NCP3235 supports pre-bias start up by holding off switching until the feedback voltage rises above the set regulated voltage. If the pre-bias voltage is higher than the set regulated voltage, switching does not occur until the output voltage drops back to the regulation point.

PROTECTION FEATURES

Hiccup Mode

The NCP3235 uses hiccup mode for over current protection. Upon entering hiccup mode after a fault detection, the NCP3235 turns off the high side and low side FET's and PG goes low. It waits for t_{Hiccup} ms before reinitiating a soft-start. t_{Hiccup} is defined as four soft start timeouts (tss). The equation for tss is shown in Equation 1. OCP is the only active fault detection during the hiccup mode soft start.

Over Voltage Protection (OVP)

When the voltage at the FB pin (VFB) is above the OVP threshold for greater than 5 μ s (typical), an OVP fault is set. The high side FET (HSFET) will turn off and the low side FET (LSFET) will turn on. The open-drain PG pull down will turn on at that point as well, thus pulling PG low. Once VFB has fallen below the Undervoltage Protection Threshold (UVP), the device will enter hiccup/latch off mode. If entering latch off mode after a fault detection, the NCP3235 turns off the high side and turns on the low side FET's and PG goes low. The user has to toggle the input power supply to restart the device.

Under Voltage Protection (UVP)

A UVP circuit monitors the VFB voltage to detect an under voltage event. If the VFB voltage is below this threshold for more than 20 μ s, a UVP fault is set and the device will enter hiccup mode.

Over Current Protection (OCP)

The NCP3235 over current protection scheme senses the peak freewheeling current in the low-side FET (LSOCP) after a blanking time of 150 ns as shown in Figure 29. The low-side MOSFET drain to source voltage is compared against the voltage of an internal temperature compensated current source and a user-selected resistor RSET. The value of RSET for a given OCP level is defined by the follow equation:

$$RSET = \frac{i_{LS} \times RDSON \times 4}{i_{SET}} \quad (\text{eq. 2})$$

In this equation, i_{LS} is the inductor peak current value, $RDSON$ is the on resistance of low-side MOSFET, and i_{SET} is an internal current source used to compensate the temperature effects of on resistance of low-side MOSFET. NCP3235 can guarantee that $RDSON/i_{SET}$ is a constant value. By doing this, OCP accuracy won't be affected by the variation of MOSFET $RDSON$. In case RSET is not connected, the device switches the OCP threshold to a fixed 600 mV threshold.

After one OCP event is detected, the NCP3235 keeps the high-side MOSFET off until the low-side MOSFET falls below the trip point again and the high-side MOSFET turns on in the next clock cycle. So the low-side over current protection shows pulse skipping behavior. An internal OCP counter will count up to 3 consecutive OCP events. After the

third consecutive count, the device enters hiccup/latch mode. The scheme of LS OCP and hiccup mode protection is described in Figure 29.

Thermal Shutdown (TSD)

The NCP3235 protects itself from overheating with an internal thermal monitoring circuit. If the junction temperature exceeds the thermal shutdown threshold both the upper and lower MOSFETs will be shut OFF. Once the temperature drops below the falling hysteresis threshold, the voltage at the COMP pin will be pulled below the ramp valley voltage and a soft-start will be initiated.

Power Good Monitor (PG)

NCP3235 monitors the output voltage and signal when the output is out of regulation or during a non-regulated pre-bias condition, or fault condition. When the output voltage is within the OVP and UVP thresholds, the power good pin is a high impedance output. If the NCP3235 detects an OCP, OVP, UVP, TSD or is in soft start, it pulls PG pin low. The PG pin is an open drain 5-mA pull down output.

Layout Guide

When laying out a power PCB for the NCP3235 there are several key points.

General Layout Guide: these are the common techniques for high frequency high power board layout design.

Base component placement: High current path components should be placed to keep the current path as tight as possible. Placement of components on the bottom of the board such as input or output decoupling can add loop inductance.

Ground Return for Power and Signals: Solid, uninterrupted ground planes must be present and adjacent to the high current path.

Copper Shapes on Component Layers: Large copper planes on one or multiple layers with adequate vias will increase thermal transfer, reduce copper conduction losses, and minimize loop inductance. Greater than 20 A designs require 2~3 layer shapes or more, increasing the number of layers will only improvement performance.

Via Placement for Power and Ground: Place enough vias to adequately connect outer layers to inner layers for thermal transfer and to minimize added inductance in layer transition. Multiple vias should be placed near important components like input and output ceramic capacitors.

Key Signal Routes: Do not route sensitive signals, such as FB near or under noisy nets such as the switch node VSW and BST node, to reduce noise coupling effects on the sensitive lines.

To improve the Low-side OCP accuracy, users should use single ground connection instead of separate analog ground and power ground. Make sure that the inner layers (at least 2nd layer, 3rd layer and 4th layer) are dedicated for ground plane. Do not use other copper planes to break or interrupt

the shape of ground plane, which may add more parasitic components to affect the sensing accuracy.

Thermal management consideration: the major heat flow path from package to the ambient is through the copper on the PCB, the area and thickness of copper plane affect the thermal performance; maximize the copper coverage on all the layers to increase the effective thermal conductivity of the board. This is important especially when there is no heat sinks attached to the PCB on the other side of the package. Add as many thermal vias as possible directly under the package ground pad to maximize the effective out-of-plane

thermal conductivity of the board; all the thermal vias must be either plated (copper) shut or plugged and capped on both sides of the board. This prevents solder seeping in to the thermal vias causing solder voids. Solder voids are detrimental to the thermal and electrical performance of the package; to ensure reliability and performance, the solder coverage should be at least 85 percent. This means the total voids on the ground pad should be less than 15 percent with no single void larger than 1 mm. Several smaller voids are always better than a few big voids.

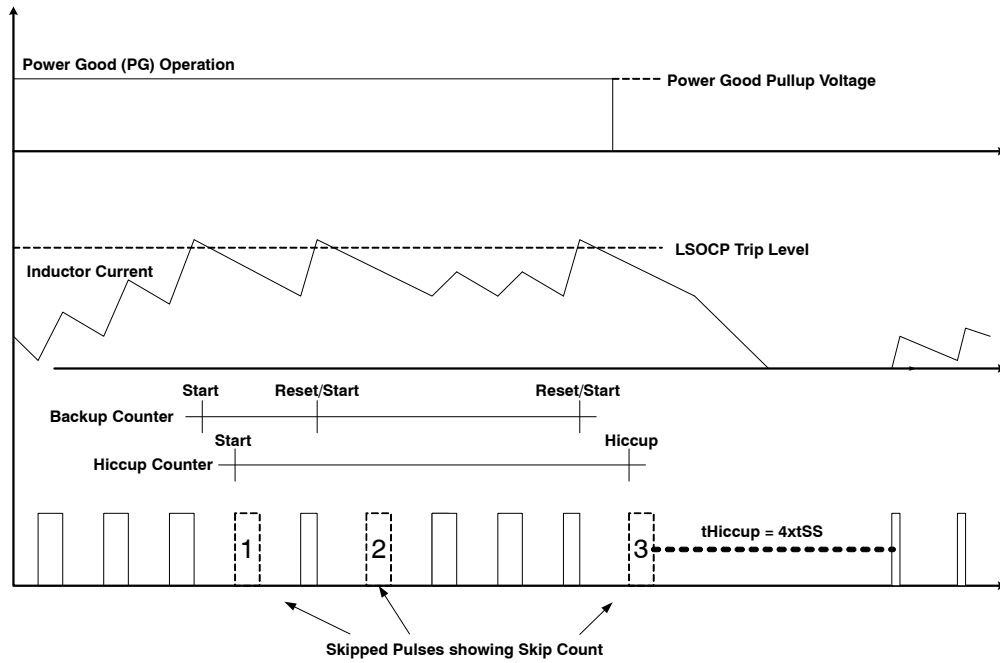
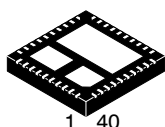


Figure 29. LSOCP Function with Counters and Power Good Shown (exaggerated for informational purposes)

MECHANICAL CASE OUTLINE

PACKAGE DIMENSIONS

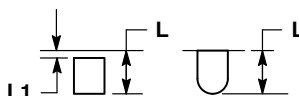
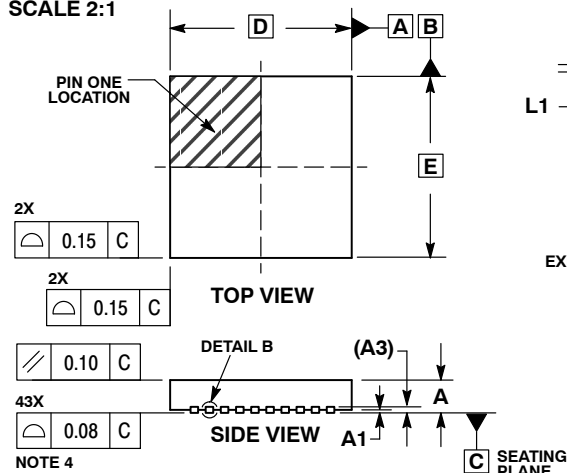
ON Semiconductor®



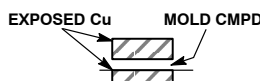
1 40
SCALE 2:1

QFN40 6x6, 0.5P
CASE 485CM
ISSUE O

DATE 05 JUN 2012



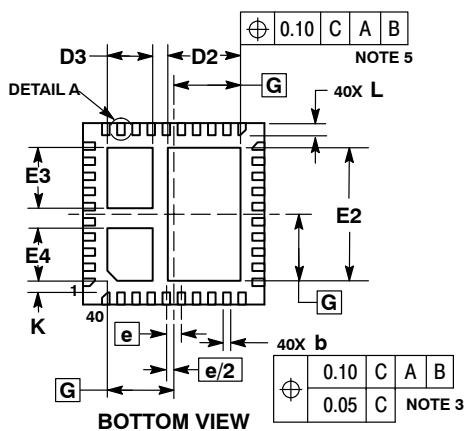
DETAIL A
ALTERNATE
CONSTRUCTIONS



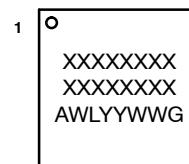
DETAIL B
ALTERNATE
CONSTRUCTION

- NOTES:
- DIMENSIONING AND TOLERANCING PER ASME Y14.5M, 1994.
 - CONTROLLING DIMENSIONS: MILLIMETERS.
 - DIMENSION b APPLIES TO PLATED TERMINAL AND IS MEASURED BETWEEN 0.15 AND 0.30mm FROM TERMINAL
 - COPLANARITY APPLIES TO THE EXPOSED PAD AS WELL AS THE TERMINALS.
 - POSITIONAL TOLERANCE APPLIES TO ALL THREE EXPOSED PADS.

MILLIMETERS		
DIM	MIN	MAX
A	0.80	1.00
A1	---	0.05
A3	0.20	REF
b	0.18	0.30
D	6.00	BSC
D2	2.30	2.50
D3	1.40	1.60
E	6.00	BSC
E2	4.30	4.50
E3	1.90	2.10
E4	1.64	1.84
e	0.50	BSC
G	2.20	BSC
K	0.20	---
L	0.30	0.50
L1	---	0.15

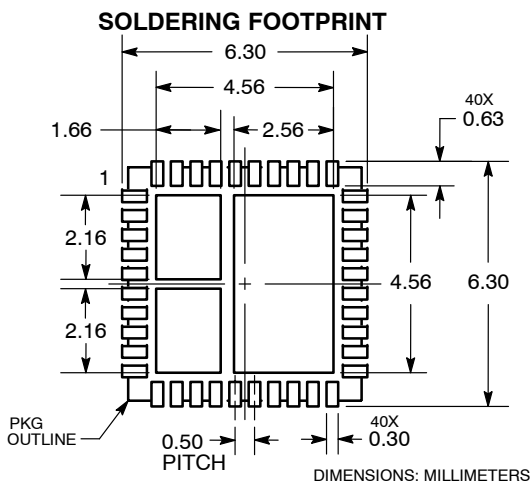


GENERIC MARKING DIAGRAM*



- XXXXX = Specific Device Code
- A = Assembly Location
- WL = Wafer Lot
- YY = Year
- WW = Work Week
- G = Pb-Free Package

*This information is generic. Please refer to device data sheet for actual part marking.
Pb-Free indicator, "G" or microdot "▪", may or may not be present.



DOCUMENT NUMBER:	98AON81111E	Electronic versions are uncontrolled except when accessed directly from the Document Repository. Printed versions are uncontrolled except when stamped "CONTROLLED COPY" in red.
DESCRIPTION:	QFN40 6x6, 0.5P	PAGE 1 OF 1

ON Semiconductor and ON are trademarks of Semiconductor Components Industries, LLC dba ON Semiconductor or its subsidiaries in the United States and/or other countries. ON Semiconductor reserves the right to make changes without further notice to any products herein. ON Semiconductor makes no warranty, representation or guarantee regarding the suitability of its products for any particular purpose, nor does ON Semiconductor assume any liability arising out of the application or use of any product or circuit, and specifically disclaims any and all liability, including without limitation special, consequential or incidental damages. ON Semiconductor does not convey any license under its patent rights nor the rights of others.

onsemi, **Onsemi**, and other names, marks, and brands are registered and/or common law trademarks of Semiconductor Components Industries, LLC dba "**onsemi**" or its affiliates and/or subsidiaries in the United States and/or other countries. **onsemi** owns the rights to a number of patents, trademarks, copyrights, trade secrets, and other intellectual property. A listing of **onsemi**'s product/patent coverage may be accessed at www.onsemi.com/site/pdf/Patent-Marking.pdf. **onsemi** reserves the right to make changes at any time to any products or information herein, without notice. The information herein is provided "as-is" and **onsemi** makes no warranty, representation or guarantee regarding the accuracy of the information, product features, availability, functionality, or suitability of its products for any particular purpose, nor does **onsemi** assume any liability arising out of the application or use of any product or circuit, and specifically disclaims any and all liability, including without limitation special, consequential or incidental damages. Buyer is responsible for its products and applications using **onsemi** products, including compliance with all laws, regulations and safety requirements or standards, regardless of any support or applications information provided by **onsemi**. "Typical" parameters which may be provided in **onsemi** data sheets and/or specifications can and do vary in different applications and actual performance may vary over time. All operating parameters, including "Typicals" must be validated for each customer application by customer's technical experts. **onsemi** does not convey any license under any of its intellectual property rights nor the rights of others. **onsemi** products are not designed, intended, or authorized for use as a critical component in life support systems or any FDA Class 3 medical devices or medical devices with a same or similar classification in a foreign jurisdiction or any devices intended for implantation in the human body. Should Buyer purchase or use **onsemi** products for any such unintended or unauthorized application, Buyer shall indemnify and hold **onsemi** and its officers, employees, subsidiaries, affiliates, and distributors harmless against all claims, costs, damages, and expenses, and reasonable attorney fees arising out of, directly or indirectly, any claim of personal injury or death associated with such unintended or unauthorized use, even if such claim alleges that **onsemi** was negligent regarding the design or manufacture of the part. **onsemi** is an Equal Opportunity/Affirmative Action Employer. This literature is subject to all applicable copyright laws and is not for resale in any manner.

PUBLICATION ORDERING INFORMATION

LITERATURE FULFILLMENT:

Email Requests to: orderlit@onsemi.com

onsemi Website: www.onsemi.com

TECHNICAL SUPPORT

North American Technical Support:

Voice Mail: 1 800-282-9855 Toll Free USA/Canada

Phone: 011 421 33 790 2910

Europe, Middle East and Africa Technical Support:

Phone: 00421 33 790 2910

For additional information, please contact your local Sales Representative