

# ON Semiconductor

## Is Now

# onsemi™

To learn more about onsemi™, please visit our website at  
[www.onsemi.com](http://www.onsemi.com)

---

**onsemi** and **onsemi** and other names, marks, and brands are registered and/or common law trademarks of Semiconductor Components Industries, LLC dba "**onsemi**" or its affiliates and/or subsidiaries in the United States and/or other countries. **onsemi** owns the rights to a number of patents, trademarks, copyrights, trade secrets, and other intellectual property. A listing of **onsemi** product/patent coverage may be accessed at [www.onsemi.com/site/pdf/Patent-Marking.pdf](http://www.onsemi.com/site/pdf/Patent-Marking.pdf). **onsemi** reserves the right to make changes at any time to any products or information herein, without notice. The information herein is provided "as-is" and **onsemi** makes no warranty, representation or guarantee regarding the accuracy of the information, product features, availability, functionality, or suitability of its products for any particular purpose, nor does **onsemi** assume any liability arising out of the application or use of any product or circuit, and specifically disclaims any and all liability, including without limitation special, consequential or incidental damages. Buyer is responsible for its products and applications using **onsemi** products, including compliance with all laws, regulations and safety requirements or standards, regardless of any support or applications information provided by **onsemi**. "Typical" parameters which may be provided in **onsemi** data sheets and/or specifications can and do vary in different applications and actual performance may vary over time. All operating parameters, including "Typicals" must be validated for each customer application by customer's technical experts. **onsemi** does not convey any license under any of its intellectual property rights nor the rights of others. **onsemi** products are not designed, intended, or authorized for use as a critical component in life support systems or any FDA Class 3 medical devices or medical devices with a same or similar classification in a foreign jurisdiction or any devices intended for implantation in the human body. Should Buyer purchase or use **onsemi** products for any such unintended or unauthorized application, Buyer shall indemnify and hold **onsemi** and its officers, employees, subsidiaries, affiliates, and distributors harmless against all claims, costs, damages, and expenses, and reasonable attorney fees arising out of, directly or indirectly, any claim of personal injury or death associated with such unintended or unauthorized use, even if such claim alleges that **onsemi** was negligent regarding the design or manufacture of the part. **onsemi** is an Equal Opportunity/Affirmative Action Employer. This literature is subject to all applicable copyright laws and is not for resale in any manner. Other names and brands may be claimed as the property of others.

# Current Sense Amplifier, 80 V Common-Mode Voltage, Unidirectional

## Product Preview

### NCS7030, NCS7031, NCV7030, NCV7031

The NCS7030 and NCS7031 are high voltage, current sense amplifiers. They are available with gain options of 14 V/V and 20 V/V, with a maximum  $\pm 0.3\%$  gain error over the entire temperature range. Each part consists of a preamplifier and buffer with access to output and input via A1 and A2 pins for an intermediate filter network or modified gain. The current sense amplifiers offer excellent input common-mode rejection from  $-6\text{ V}$  to  $80\text{ V}$ . They can perform unidirectional current measurements across a sense resistor in a variety of applications. Automotive qualified options are available under NCV prefix. All versions operate over the extended temperature range from  $-40^\circ\text{C}$  to  $150^\circ\text{C}$ .

#### Features

- Bandwidth: 100 kHz
- Input Offset Voltage:  $\pm 300\ \mu\text{V}$  Max Over Temp
- Offset Drift over Temperature:  $\pm 3\ \mu\text{V}/^\circ\text{C}$  max
- Gain Error:  $\pm 0.3\%$  Max Over Temp
- Quiescent Current: 1.5 mA Typ
- Supply Voltage: 3 V to 5.5 V
- Common-Mode Input Voltage Range:  $-6\text{ V}$  to  $80\text{ V}$  Operating,  $-14\text{ V}$  to  $85\text{ V}$  Survival
- CMRR: 85 dB Min
- PSRR: 75 dB Min
- Low-Pass Filter (1-pole or 2-pole)
- These are Pb-free Devices

#### Typical Applications

- Telecom Equipment
- Power Supply Designs
- Diesel Injection Control
- Automotive
- Motor Control

This document contains information on a product under development. ON Semiconductor reserves the right to change or discontinue this product without notice.



ON Semiconductor®

[www.onsemi.com](http://www.onsemi.com)

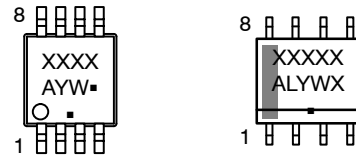


**Micro8**  
CASE 846A-02



**SOIC-8 NB**  
CASE 751-07

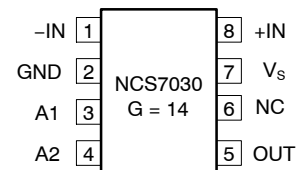
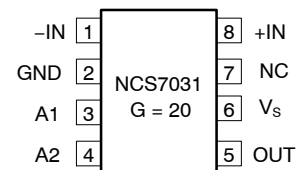
#### MARKING DIAGRAM



XXXXX = Specific Device Code  
 A = Assembly Location  
 L = Wafer Lot  
 Y = Year  
 W = Work Week  
 ■ = Pb-Free Package

(Note: Microdot may be in either location)

#### PIN CONNECTIONS



#### ORDERING INFORMATION

See detailed ordering and shipping information on page 12 of this data sheet.

# NCS7030, NCS7031, NCV7030, NCV7031

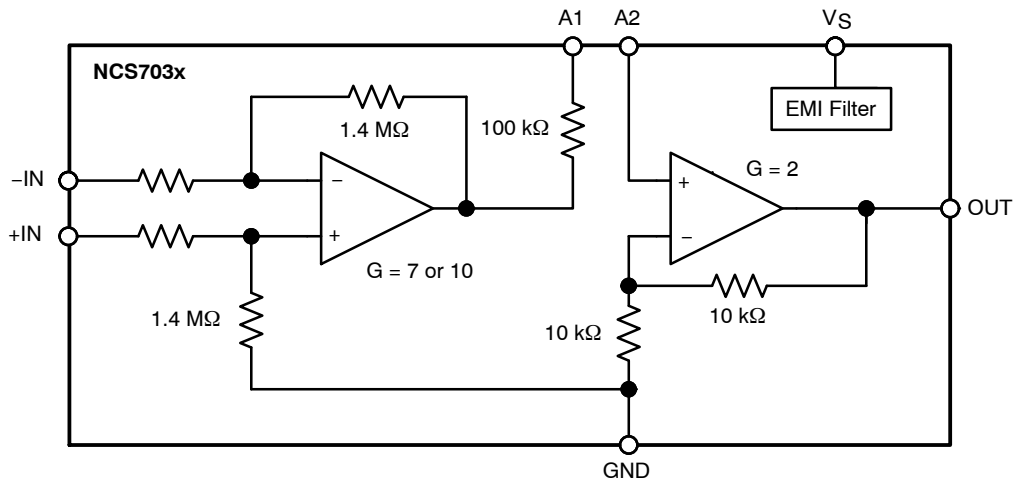


Figure 1. Simplified Block Diagram

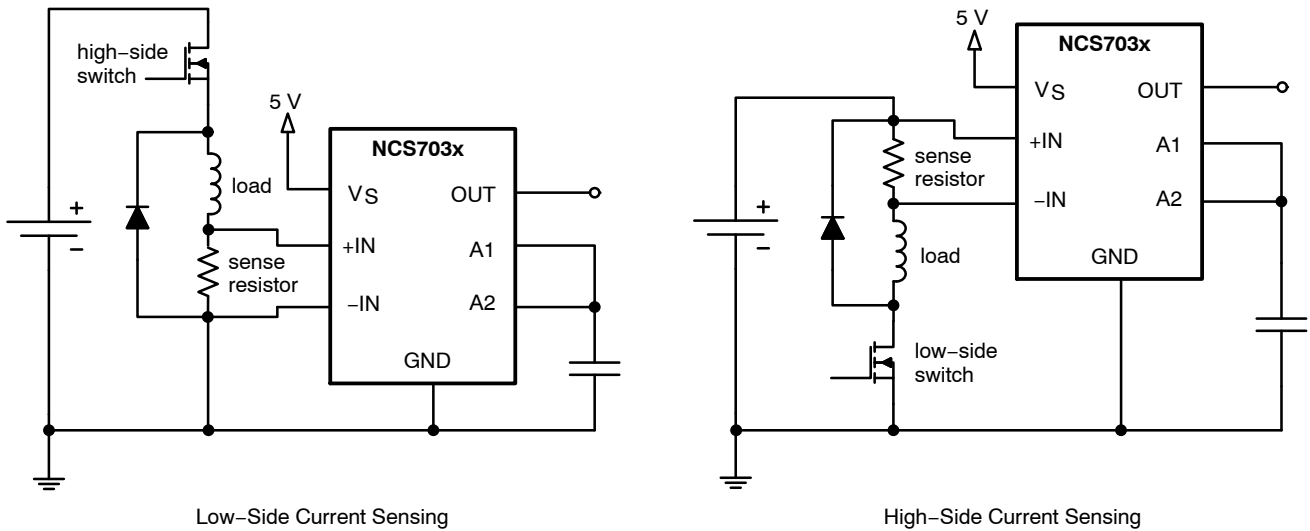


Figure 2. Application Schematic

## PIN FUNCTION DESCRIPTION

NCS7031 (G = 20) Pinout	NCS7030 (G = 14) Pinout	Pin Name	Description
1	1	-IN	Inverting input – connect to sense resistor
2	2	GND	Device ground
3	3	A1	Pre-amp output connection
4	4	A2	Buffer amp input connection
5	5	OUT	Device output
6	7	VS	Power supply connection
7	6	NC	No connect
8	8	+IN	Non-inverting input – connect to sense resistor

# NCS7030, NCS7031, NCV7030, NCV7031

## ABSOLUTE MAXIMUM RATINGS

Rating	Symbol	Value	Unit
Supply Voltage Range (Note 1)	$V_S$	-0.3 to 7	V
Input Common-Mode Range	$V_{CM}$	-14 to 85	V
Differential Input Voltage	$V_{ID}$	$\pm V_S$	V
Maximum Input Current	$I_I$	$\pm 10$	mA
Maximum Output Current	$I_O$	$\pm 50$	mA
Continuous Total Power Dissipation	$P_D$	200	mW
Maximum Junction Temperature	$T_{J(max)}$	150	°C
Storage Temperature Range	$T_{STG}$	-65 to 150	°C
ESD Capability (Note 2)			V
Human Body Model, Input pins	HBM	$\pm 7000$	
Human Body Model, All other pins	HBM	$\pm 4000$	
Charged Device Model	CDM	$\pm 1000$	
Latch-Up Current (Note 3)		$\pm 100$	mA
Moisture Sensitivity Level	MSL	Level 1	-
Lead Temperature Soldering Reflow (SMD Styles Only), Pb-Free Versions (Note 4)	$T_{SLD}$	260	°C

Stresses exceeding those listed in the Maximum Ratings table may damage the device. If any of these limits are exceeded, device functionality should not be assumed, damage may occur and reliability may be affected.

1. Refer to ELECTRICAL CHARACTERISTICS and APPLICATION INFORMATION for Safe Operating Area.
2. This device series incorporates ESD protection and is tested by the following methods:  
 ESD Human Body Model tested per JS-001-2017 (AEC-Q100-002)  
 ESD Charged Device Model tested per JS-002-2014 (AEC-Q100-011)
3. Latch-up current maximum rating:  $\pm 100$  mA per JEDEC standard JESD78E (AEC-Q100-004).
4. For information, please refer to our Soldering and Mounting Techniques Reference Manual, SOLDERRM/D.

## THERMAL CHARACTERISTICS (Note 5)

Symbol	Parameter	Package	Value (Note 6)	Unit
$\theta_{JA}$	Thermal Resistance, Junction-to-Air	Micro8	163	°C/W
		SOIC-8	128	°C/W
$\Psi_{JT}$	Thermal Characteristic, Junction-to-Case Top	Micro8	24.4	°C/W
		SOIC-8	28.5	°C/W
$\Psi_{JB}$	Thermal Characteristic, Junction-to-Board	Micro8	137.3	°C/W
		SOIC-8	103.5	°C/W

5. Refer to ELECTRICAL CHARACTERISTICS and APPLICATION INFORMATION for Safe Operating Area.
6. Values based on copper area of 645 mm<sup>2</sup> (or 1 in<sup>2</sup>) of 1 oz copper thickness and FR4 PCB substrate.

## OPERATING RANGES (Note 7)

Rating	Symbol	Min	Max	Unit
Supply Voltage	$V_S$	3	5.5	V
Common-Mode Input Voltage Range	$V_{CM}$	-6	80	V
Ambient Temperature	$T_A$	-40	150 (Note 8)	°C

7. Refer to ELECTRICAL CHARACTERISTICS and APPLICATION INFORMATION for Safe Operating Area.
8. Operation up to  $T_A = 150^\circ\text{C}$  is permitted, provided the total power dissipation is limited to prevent the junction temperature from exceeding the  $150^\circ\text{C}$  absolute maximum limit.

# NCS7030, NCS7031, NCV7030, NCV7031

**ELECTRICAL CHARACTERISTICS** (At  $V_S = 5\text{ V}$ ,  $T_A = +25^\circ\text{C}$ ,  $V_{CM} = 12\text{ V}$ ,  $R_L \geq 10\text{ k}\Omega$ , unless otherwise noted. *Italicface* limits apply over the specified temperature range, guaranteed by characterization and/or design.)

Symbol	Parameter	Conditions	Temp (°C)	Min	Typ	Max	Unit
--------	-----------	------------	-----------	-----	-----	-----	------

## GAIN

G	Total Gain, Preamplifier and Buffer	$G = 14\text{ V/V}$ $G = 20\text{ V/V}$	25	-	14 20	-	V/V
$G_e$	Gain Error		-40 to 125	-	-	$\pm 0.3$	%
			-40 to 150	-	-	$\pm 0.5$	
$\Delta G/\Delta T$	Gain Drift		-40 to 125	-	-	$\pm 20$	ppm / °C

## VOLTAGE OFFSET

$V_{OS}$	Input Offset Voltage		25	-	$\pm 100$	$\pm 300$	$\mu\text{V}$
			-40 to 125	-	-	$\pm 300$	
			-40 to 150	-	-	$\pm 400$	
$\Delta V_{OS}/\Delta T$	Input Offset Voltage Drift		-40 to 125	-	-	3	$\mu\text{V} / ^\circ\text{C}$

## INPUT

$V_{CM}$	Common-Mode Input Voltage Range		-40 to 150	-6	-	80	V
CMRR	Common-Mode Rejection Ratio	$V_{CM} = -6\text{ to }80\text{ V}$	-40 to 150	85	105	-	dB
		$f = 10\text{ kHz}$ $V_{CM} = 12\text{ V}$ , 1 $V_{PP}$	-40 to 150	65 70	75 80	- -	

## PREAMPLIFIER

$G_{PRE}$	Gain	$G = 14\text{ V/V}$ $G = 20\text{ V/V}$	25	-	7 10	-	V/V
$G_e$	Gain Error		-40 to 125	-	-	$\pm 0.3$	%
$V_{OH}$	Output Voltage Swing to $V_S$		-40 to 150	$V_S - 0.05$	$V_S - 0.002$	-	V
$V_{OL}$	Output Voltage Swing to GND		-40 to 150	-	1.5	25	mV
$R_{PRE}$	Output Resistance		25	98	100	102	k $\Omega$
			-40 to 150	94	-	106	
$I_{IB}$	Input Bias Current		-40 to 125	-	200	500	$\mu\text{A}$

## OUTPUT BUFFER

$G_{OUT}$	Gain		25	-	2	-	V/V
$G_e$	Gain Error		-40 to 125	-	-	$\pm 0.3$	%
$V_{OH}$	Output Voltage Swing to $V_S$		-40 to 150	$V_S - 0.05$	$V_S - 0.003$	-	V
$V_{OL}$	Output Voltage Swing to GND		-40 to 150	-	0.5	25	mV
$I_{IB}$	Input Bias Current		-40 to 125	-	$\pm 5$	$\pm 20$	nA

## DYNAMIC PERFORMANCE

BW	Bandwidth		25	-	100	-	kHz
SR	Slew Rate		25	-	1	-	V / $\mu\text{s}$

## NOISE

$V_n$	0.1 Hz to 10 Hz		25	-	10	-	$\mu\text{V}_{p-p}$
$e_n$	Spectral Density, 1 kHz (RTI)		25	-	120	-	nV / $\sqrt{\text{Hz}}$

## POWER SUPPLY

$V_S$	Operating Voltage Range		-40 to 150	3	-	5.5	V
-------	-------------------------	--	------------	---	---	-----	---

## NCS7030, NCS7031, NCV7030, NCV7031

**ELECTRICAL CHARACTERISTICS** (At  $V_S = 5\text{ V}$ ,  $T_A = +25^\circ\text{C}$ ,  $V_{CM} = 12\text{ V}$ ,  $R_L \geq 10\text{ k}\Omega$ , unless otherwise noted. *Italicface* limits apply over the specified temperature range, guaranteed by characterization and/or design.)

$I_{DD}$	Quiescent Current		25	–	1.5	2.4	mA
			–40 to 125	–	–	<i>2.7</i>	
			–40 to 150	–	–	<i>2.8</i>	
PSRR	Power Supply Rejection Ratio		–40 to 150	75	90	–	dB

Product parametric performance is indicated in the Electrical Characteristics for the listed test conditions, unless otherwise noted. Product performance may not be indicated by the Electrical Characteristics if operated under different conditions.

**NCS7030, NCS7031, NCV7030, NCV7031**

**GRAPHS (TBD)**

APPLICATION INFORMATION

The NCS7030 and NCS7031 are current sense amplifiers featuring a wide common mode voltage up to 80 V independent of the supply voltage. The NCS703x current-sense amplifiers can be configured for both low-side and high-side current sensing.

**Current Sensing Techniques**

Low-side sensing appears to have the advantage of being straightforward, inexpensive, and can be implemented with

a simple op amp circuit. However, the NCS703x series of devices provides the full differential input necessary to get accurate shunt connections, while also providing a built-in gain network with precision difficult to obtain with external resistors. The NCS703x is shown in a low-side configuration in Figure 3 below.

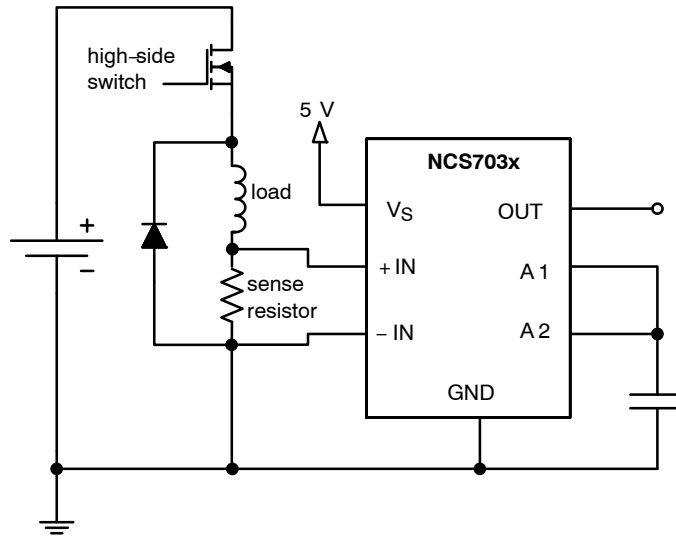


Figure 3. Low-side Current Sensing

While at times the application requires low-side sensing, only high-side sensing can detect a short from the positive supply line to ground. Furthermore, high-side sensing avoids adding resistance to the ground path of the load being

measured. The sections below focus primarily on high-side current sensing. Figure 4 shows the NCS703x configured for high-side current sensing.

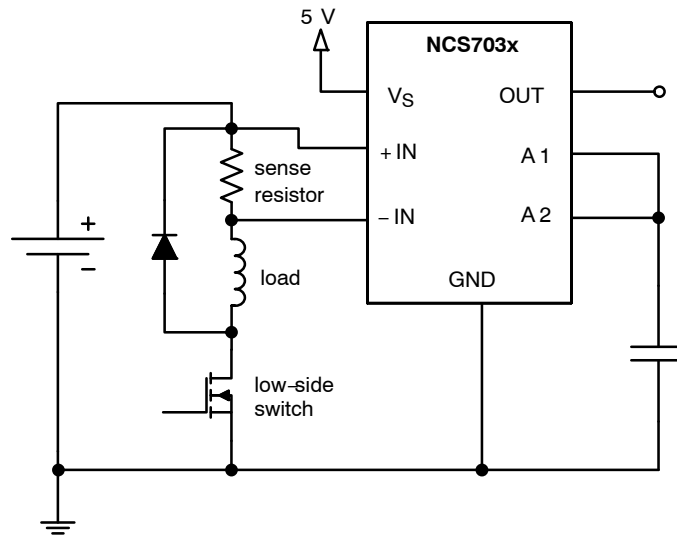


Figure 4. High-side Current Sensing



**Unidirectional Operation**

In unidirectional current sensing, the measured load current always flows in the same direction. Common applications for unidirectional operation include power supplies and load current monitoring.

NCS703x is internally referenced to ground; therefore, it can only measure current flowing in one direction. The +IN pin of the NCS703x should be connected to the positive side of the sense resistor, while the -IN pin should be connected to the negative side of the sense resistor.

When no current is flowing through the R<sub>SHUNT</sub>, the NCS703x output is expected to be within 50 mV of ground. When current is flowing through R<sub>SHUNT</sub>, the output will swing positive, up to within 100 mV of the applied supply voltage, V<sub>S</sub>.

$$V_{out} = (V_{+in} - V_{-in}) \times G$$

**Power Supplies**

The NCS703x can be connected to the same power supply that it is monitoring current from, or it can be connected to a separate power supply. If it is necessary to detect short circuit current on the load power supply, which may cause the load power supply to sag to near zero volts, a separate power supply must be used on the NCS703x. When using multiple supplies, there are no restrictions on power supply sequencing.

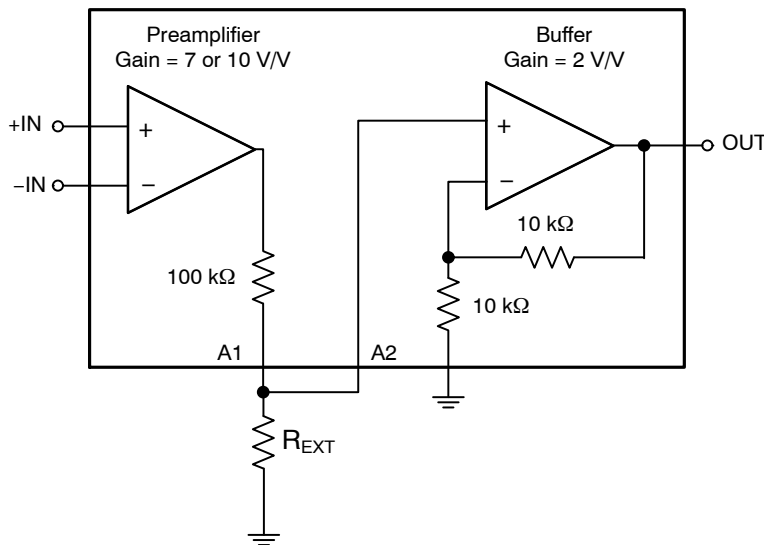
**A1 and A2 Pins**

A1 is the preamplifier output and the A2 is the buffer input. These pins can be used to make adjustments to the gain or to create a low-pass filter. The output of the preamplifier integrates a precision resistor of 100 kΩ ±2%, which can be utilized for either of these purposes.

The high impedances at the A1 and A2 pins make this connection particularly sensitive, and a careful layout is necessary if the high frequency response is required. Trace lengths should be kept at a minimum and test points should be avoided when possible at these pins. Even a small capacitance of 20 pF from the PCB can lower the -3dB signal bandwidth to 80 kHz. This filtering effect is useful for decreasing noise, and is further discussed in the upcoming "Filtering with A1 and A2" section.

**Lowering the Gain with A1 and A2**

The gain can be lowered by using the A1 and A2 pins. Connecting A1 to A2 and adding a resistor from this net to GND creates a resistor divider network in combination with the internal 100 kΩ resistor, as shown by Figure 5. For example, adding an external 100 kΩ resistor, reduces the voltage going into A2 by half, reducing the overall gain by half.



**Figure 5. Lowering the Gain Using an External Resistor**

The adjusted overall decreased gain, G<sub>ADJ-</sub>, becomes a factor of the total nominal gain, G, and the external resistor, R<sub>EXT</sub>.

$$G_{ADJ-} = \frac{G \times R_{EXT}}{R_{EXT} + 100 \text{ k}\Omega}$$

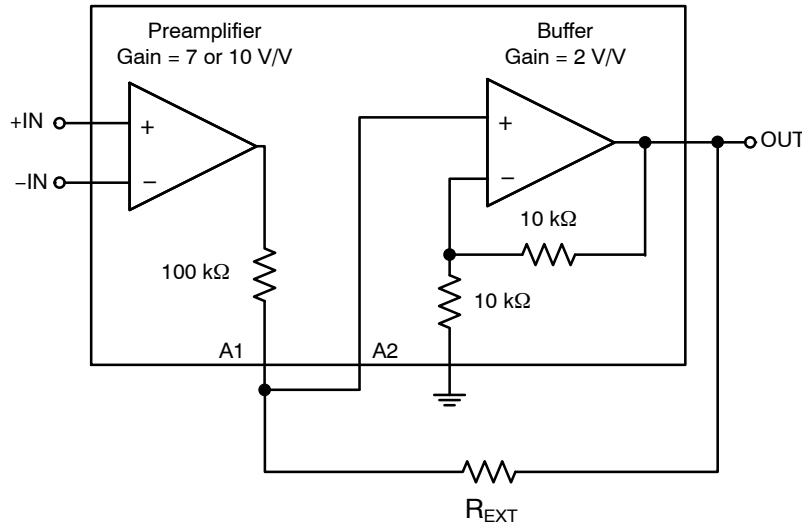
This equation can be rearranged to calculate the external resistor value for the desired gain value.

$$R_{EXT} = \frac{100 \text{ k}\Omega \times G_{ADJ-}}{G - G_{ADJ-}}$$

**Increasing the Gain with A1 and A2**

The gain can be increased by adding an external resistor in positive feedback as shown in Figure 6.

$$G_{ADJ+} = \frac{G \times R_{EXT}}{R_{EXT} - 100 \text{ k}\Omega}$$

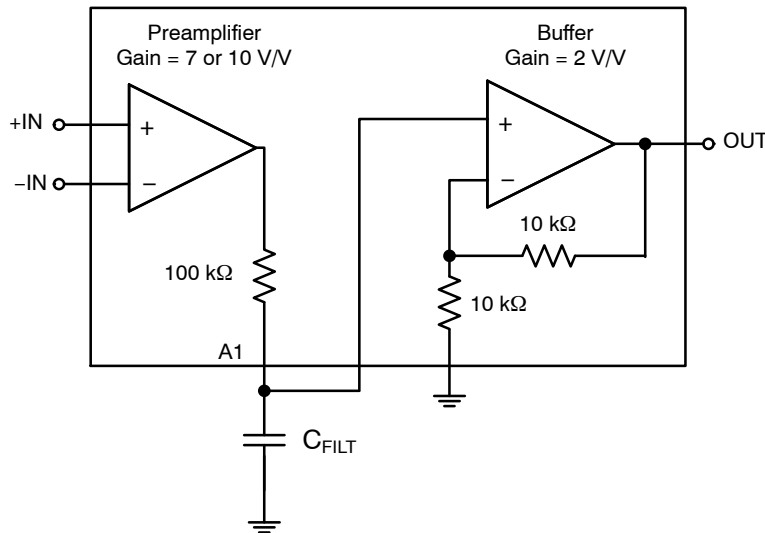


**Figure 6. Increasing the Gain Using an External Resistor in Positive Feedback**

**Filtering with A1 and A2**

In some applications, the current being measured may be inherently noisy. A low-pass filter can be created by connecting A1 and A2 together and adding a capacitor from

the net to GND as shown in Figure 7. This creates a simple RC filter with the internal 100 kΩ resistor. This single pole filter has a 20 dB/decade attenuation.

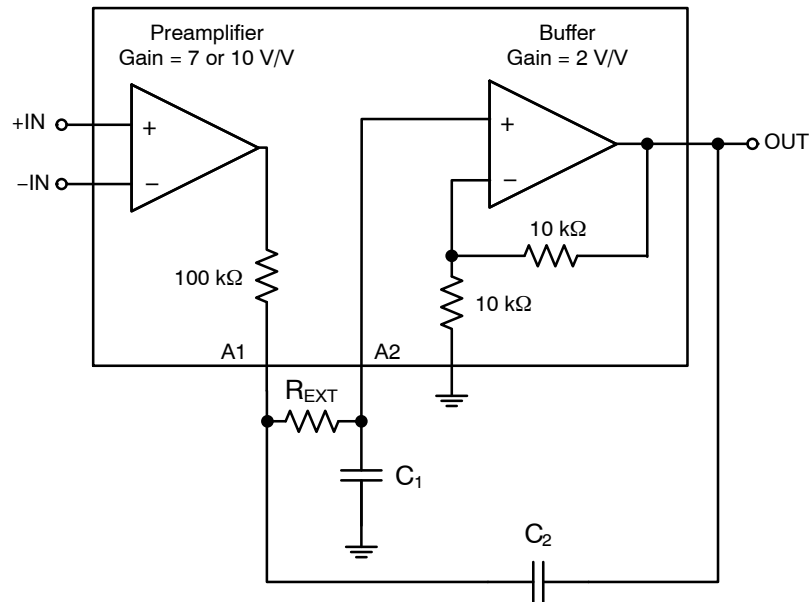


**Figure 7. Implementing a Single-pole, Low-pass RC Filter**

$$f_{FILT} = \frac{1}{2\pi(100 \text{ k}\Omega)C_{FILT}}$$

## NCS7030, NCS7031, NCV7030, NCV7031

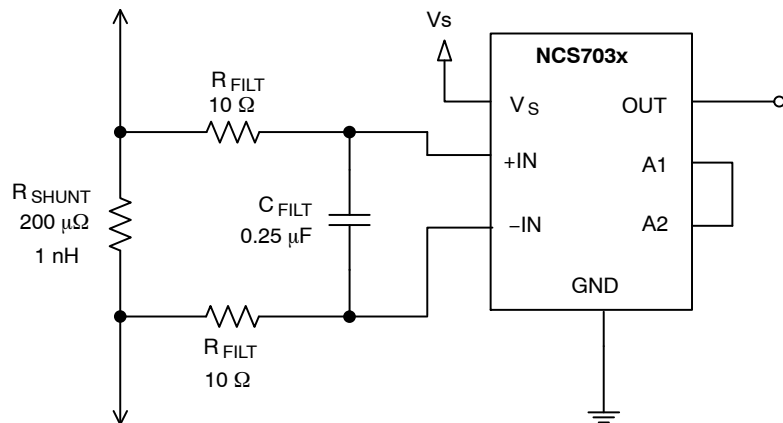
A two-pole filter with 40 dB/decade attenuation can be created with a Sallen-Key topology as shown in Figure 8.



**Figure 8. Implementing a Two-pole, Low-pass Filter using the Sallen-Key Topology**

### Input Filtering

Some applications may require filtering at the input of the current sense amplifier. Figure 9 shows the recommended schematic for input filtering.



**Figure 9. Input Filtering Compensates for Shunt Inductance on Shunts Less than 1 mΩ, as Well as High Frequency Noise in any Application**

Input filtering is complicated by the fact that the added resistance of the filter resistors and the associated resistance mismatch between them can adversely affect gain, CMRR, and  $V_{os}$ . The effect on  $V_{os}$  is partly due to input bias currents as well. As a result, the value of the input resistors should be limited to 10 Ω or less.

As the shunt resistors decrease in value, shunt inductance can significantly affect frequency response. At values below 1 mΩ, the shunt inductance causes a zero in the transfer function that often results in corner frequencies in the low

100's of kHz. This inductance increases the amplitude of high frequency spike transient events on the current sensing line that can overload the front end of any shunt current sensing IC. This problem must be solved by filtering at the input of the amplifier. Note that all current sensing IC's are vulnerable to this problem, regardless of manufacturer claims. Filtering is required at the input of the device to resolve this problem, even if the spike frequencies are above the rated bandwidth of the device.

Ideally, select the capacitor to exactly match the time constant of the shunt resistor and its inductance; alternatively, select the capacitor to provide a pole below that point. Make the input filter time constant equal to or larger than the shunt and its inductance time constant:

$$\frac{L_{\text{SHUNT}}}{R_{\text{SHUNT}}} \leq 2R_{\text{FILT}}C_{\text{FILT}}$$

To determine the value of  $C_{\text{FILT}}$  based on using 10  $\Omega$  resistors for each  $R_{\text{FILT}}$ , the equation simplifies to:

$$C_{\text{FILT}} \geq \frac{L_{\text{SHUNT}}}{20R_{\text{SHUNT}}}$$

If the main purpose is to filter high frequency noise, the capacitor should be increased to a value that provides the desired filtering. As an example, a filtering frequency of 10 kHz would require an 0.8  $\mu\text{F}$  capacitor.

$$f_{\text{FILT}} = \frac{1}{2\pi(2R_{\text{FILT}})C_{\text{FILT}}}$$

### Common Mode Voltage Step Response

Large common mode voltage steps with fast slew rates can invoke transient voltage spikes on the output. Certain applications that operate with large common mode input voltage steps, including solenoid applications, require a thorough evaluation of the output response during such events.

There are a few methods to address this. One way to decrease the transient voltage spike is by decreasing the slew rate of the common mode voltage step. The measurement can also be filtered or averaged; this can be done by adding a low-pass filter using the A1 and A2 pins as described in the previous "Filtering with A1 and A2" section. Finally, there is the option of adding a time delay in the measurement after a common mode voltage step occurs.

The ac response to disturbances in the CMRR voltage is quantified to a certain degree in the CMRR vs. Frequency graph.

### Advantages When Used For Low-Side Current Sensing

The NCS703x series offers many advantages for low-side current sensing. The true differential input is ideal for connection to either Kelvin Sensing shunts or conventional shunts. Additionally, the true differential input rejects the common-mode noise often present even in low-side current sensing. Providing all of this in a tiny package makes it very competitive when compared to discrete op amp solutions.

### Selecting the Shunt Resistor

The desired accuracy of the current measurement determines the precision, shunt size, and the resistor value. The larger the resistor value, the more accurate the measurement possible, but a large resistor value also results in greater power loss.

For the most accurate measurements, use four terminal current sense resistors. It provides two terminals for the current path in the application circuit, and a second pair for the voltage detection path of the sense amplifier. This technique is also known as *Kelvin Sensing*. This insures that the voltage measured by the sense amplifier is the actual voltage across the resistor and does not include the small resistance of a combined connection. When using non-Kelvin shunts, closely follow manufacturers recommendations on how to lay out the sensing traces.

### Shutting Down the NCS703x

While the NCS703x does not provide a shutdown pin, a simple MOSFET, power switch, or logic gate can be used to switch off the power to the NCS703x and eliminate the quiescent current. Note that the shunt input pins will always have a current flow via the input and feedback resistors. The input pins support the rated common mode voltage even when the NCS703x does not have power applied.

## NCS7030, NCS7031, NCV7030, NCV7031

### ORDERING INFORMATION

Gain	Device	Marking	Package	Shipping†
14	NCS7030D2G014RG (In Development*)	7030	SOIC-8	2500 / Tape & Reel
	NCS7030DM2G014R2G (In Development*)	7030	Micro8	4000 / Tape & Reel
20	NCS7031D1G020R2G (In Development*)	7031	SOIC-8	2500 / Tape & Reel
	NCS7031DM1G020R2G (In Development*)	7031	Micro8	4000 / Tape & Reel

### AUTOMOTIVE QUALIFIED

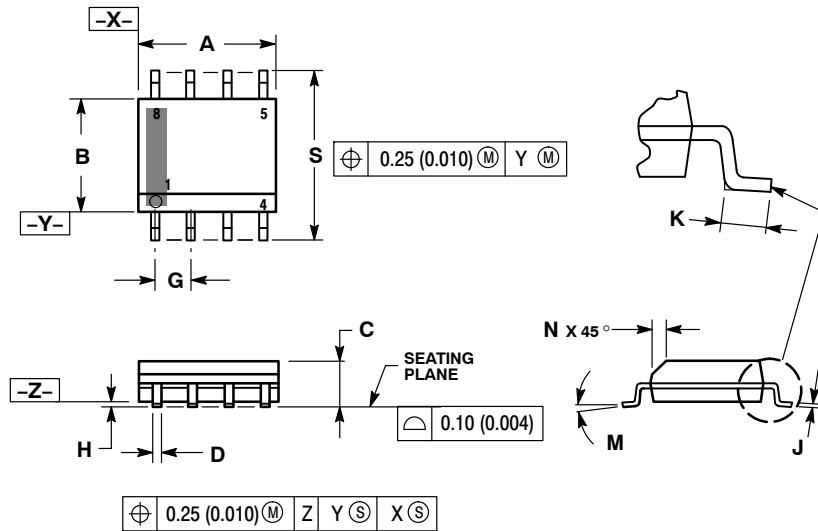
Gain	Device	Marking	Package	Shipping†
14	NCV7030D2G014RG (In Development*)	7030	SOIC-8	2500 / Tape & Reel
	NCV7030DM2G014R2G (In Development*)	7030	Micro8	4000 / Tape & Reel
20	NCV7031D1G020R2G (In Development*)	7031	SOIC-8	2500 / Tape & Reel
	NCV7031DM1G020R2G (In Development*)	7031	Micro8	4000 / Tape & Reel

†For information on tape and reel specifications, including part orientation and tape sizes, please refer to our Tape and Reel Packaging Specification Brochure, BRD8011/D.

\*Contact local sales office for more information.

PACKAGE DIMENSIONS

SOIC-8 NB  
CASE 751-07  
ISSUE AK

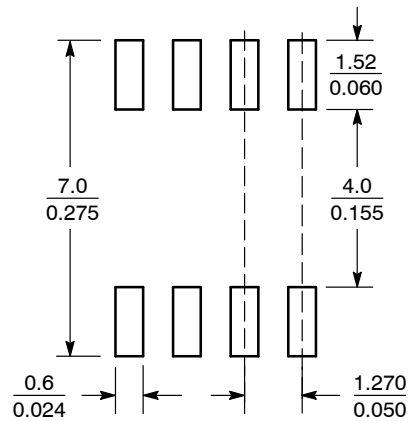


NOTES:

1. DIMENSIONING AND TOLERANCING PER ANSI Y14.5M, 1982.
2. CONTROLLING DIMENSION: MILLIMETER.
3. DIMENSION A AND B DO NOT INCLUDE MOLD PROTRUSION.
4. MAXIMUM MOLD PROTRUSION 0.15 (0.006) PER SIDE.
5. DIMENSION D DOES NOT INCLUDE DAMBAR PROTRUSION. ALLOWABLE DAMBAR PROTRUSION SHALL BE 0.127 (0.005) TOTAL IN EXCESS OF THE D DIMENSION AT MAXIMUM MATERIAL CONDITION.
6. 751-01 THRU 751-06 ARE OBSOLETE. NEW STANDARD IS 751-07.

DIM	MILLIMETERS		INCHES	
	MIN	MAX	MIN	MAX
A	4.80	5.00	0.189	0.197
B	3.80	4.00	0.150	0.157
C	1.35	1.75	0.053	0.069
D	0.33	0.51	0.013	0.020
G	1.27 BSC		0.050 BSC	
H	0.10	0.25	0.004	0.010
J	0.19	0.25	0.007	0.010
K	0.40	1.27	0.016	0.050
M	0°	8°	0°	8°
N	0.25	0.50	0.010	0.020
S	5.80	6.20	0.228	0.244

SOLDERING FOOTPRINT\*



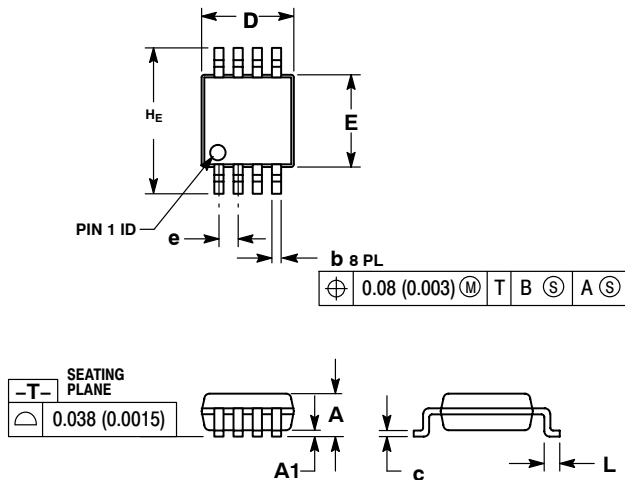
SCALE 6:1  $\left(\frac{\text{mm}}{\text{inches}}\right)$

\*For additional information on our Pb-Free strategy and soldering details, please download the ON Semiconductor Soldering and Mounting Techniques Reference Manual, SOLDERRM/D.

# NCS7030, NCS7031, NCV7030, NCV7031

## PACKAGE DIMENSIONS

### Micro8 CASE 846A-02 ISSUE J

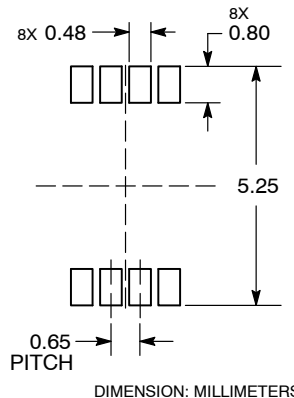


#### NOTES:

1. DIMENSIONING AND TOLERANCING PER ANSI Y14.5M, 1982.
2. CONTROLLING DIMENSION: MILLIMETER.
3. DIMENSION A DOES NOT INCLUDE MOLD FLASH, PROTRUSIONS OR GATE BURRS. MOLD FLASH, PROTRUSIONS OR GATE BURRS SHALL NOT EXCEED 0.15 (0.006) PER SIDE.
4. DIMENSION B DOES NOT INCLUDE INTERLEAD FLASH OR PROTRUSION. INTERLEAD FLASH OR PROTRUSION SHALL NOT EXCEED 0.25 (0.010) PER SIDE.
5. 846A-01 OBSOLETE, NEW STANDARD 846A-02.

DIM	MILLIMETERS			INCHES		
	MIN	NOM	MAX	MIN	NOM	MAX
A	---	---	1.10	---	---	0.043
A1	0.05	0.08	0.15	0.002	0.003	0.006
b	0.25	0.33	0.40	0.010	0.013	0.016
c	0.13	0.18	0.23	0.005	0.007	0.009
D	2.90	3.00	3.10	0.114	0.118	0.122
E	2.90	3.00	3.10	0.114	0.118	0.122
e	0.65 BSC			0.026 BSC		
L	0.40	0.55	0.70	0.016	0.021	0.028
HE	4.75	4.90	5.05	0.187	0.193	0.199

### RECOMMENDED SOLDERING FOOTPRINT\*



\*For additional information on our Pb-Free strategy and soldering details, please download the ON Semiconductor Soldering and Mounting Techniques Reference Manual, SOLDERRM/D.

ON Semiconductor and are trademarks of Semiconductor Components Industries, LLC dba ON Semiconductor or its subsidiaries in the United States and/or other countries. ON Semiconductor owns the rights to a number of patents, trademarks, copyrights, trade secrets, and other intellectual property. A listing of ON Semiconductor's product/patent coverage may be accessed at [www.onsemi.com/site/pdf/Patent-Marking.pdf](http://www.onsemi.com/site/pdf/Patent-Marking.pdf). ON Semiconductor reserves the right to make changes without further notice to any products herein. ON Semiconductor makes no warranty, representation or guarantee regarding the suitability of its products for any particular purpose, nor does ON Semiconductor assume any liability arising out of the application or use of any product or circuit, and specifically disclaims any and all liability, including without limitation special, consequential or incidental damages. Buyer is responsible for its products and applications using ON Semiconductor products, including compliance with all laws, regulations and safety requirements or standards, regardless of any support or applications information provided by ON Semiconductor. "Typical" parameters which may be provided in ON Semiconductor data sheets and/or specifications can and do vary in different applications and actual performance may vary over time. All operating parameters, including "Typicals" must be validated for each customer application by customer's technical experts. ON Semiconductor does not convey any license under its patent rights nor the rights of others. ON Semiconductor products are not designed, intended, or authorized for use as a critical component in life support systems or any FDA Class 3 medical devices or medical devices with a same or similar classification in a foreign jurisdiction or any devices intended for implantation in the human body. Should Buyer purchase or use ON Semiconductor products for any such unintended or unauthorized application, Buyer shall indemnify and hold ON Semiconductor and its officers, employees, subsidiaries, affiliates, and distributors harmless against all claims, costs, damages, and expenses, and reasonable attorney fees arising out of, directly or indirectly, any claim of personal injury or death associated with such unintended or unauthorized use, even if such claim alleges that ON Semiconductor was negligent regarding the design or manufacture of the part. ON Semiconductor is an Equal Opportunity/Affirmative Action Employer. This literature is subject to all applicable copyright laws and is not for resale in any manner.

### PUBLICATION ORDERING INFORMATION

LITERATURE FULFILLMENT:  
Email Requests to: [orderlit@onsemi.com](mailto:orderlit@onsemi.com)

ON Semiconductor Website: [www.onsemi.com](http://www.onsemi.com)

TECHNICAL SUPPORT  
North American Technical Support:  
Voice Mail: 1 800-282-9855 Toll Free USA/Canada  
Phone: 011 421 33 790 2910

Europe, Middle East and Africa Technical Support:  
Phone: 00421 33 790 2910  
For additional information, please contact your local Sales Representative