

製品概要

AMIS-30663: CAN Transceiver, High Speed

技術情報は、データシートをご参照ください。

The AMIS-30663 CAN transceiver is the interface between a controller area network (CAN) protocol controller and the physical bus and may be used in both 12 V and 24 V systems. The digital interface level is powered from a 3.3 V supply providing true I/O voltage levels for 3.3 V CAN controllers. The transceiver provides differential transmit capability to the bus and differential receive capability to the CAN controller. Due to the wide common-mode voltage range of the receiver inputs, the AMIS-30663 is able to reach outstanding levels of electromagnetic susceptibility (EMS). Similarly, extremely low electromagnetic emission (EME) is achieved by the excellent matching of the output signals.

特長

- Fully compatible with the ISO 11898-2 standard
- Certified Authentication on CAN Transceiver Conformance (d1.1)
- High Speed (up to 1 Mbit/s)
- Ideally suited for 12V and 24V industrial and automotive applications
- Low EME common-mode-choke is no longer required
- Differential receiver with wide common-mode range (+/- 35 V) for high EMS
- No disturbance of the bus lines with an un-powered node
- Transmit data (TxD) dominant time-out function
- Thermal protection
- Bus pins protected against transients in an automotive environment

For more features, see the data sheet

アプリケーション

- In-Vehicle Networking
- Industrial Networking

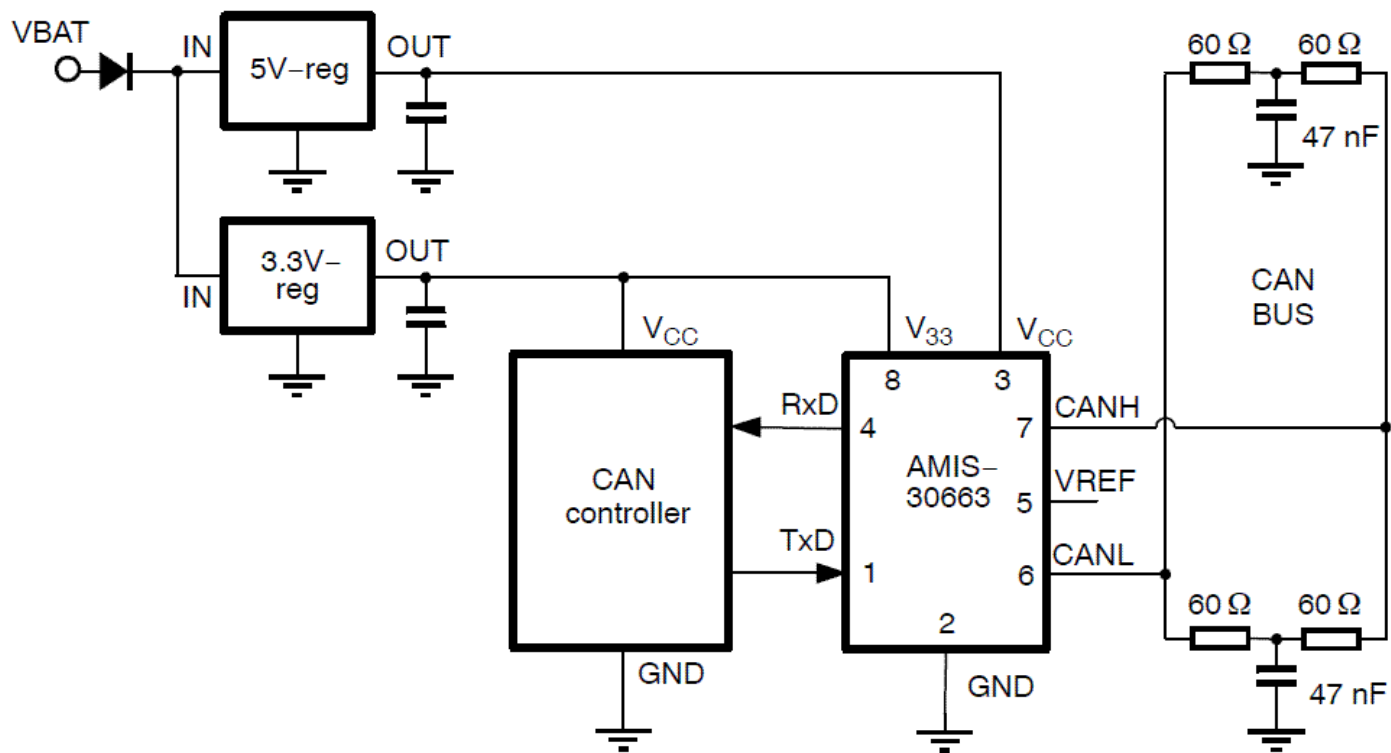
最終製品

- Automobiles
- Industrial Equipment

電氣的仕様

製品	Pricing (\$/Unit)	Compliance	Status	Data Transmission Standard	Data Rate	Number of Drivers	Number of Receivers	V _{CC} Min (V)	V _{CC} Max (V)	t _{PLH} Max (μs)	I _O Max (μA)	I _{IH} Max (mA)	Package Type
AMIS30663CANG2RG		AEC Qualified PPAP Capable Pb-free Halide free	Active	CAN	1 Mb/s	1	1	4.75	5.25				SOIC-8

アプリケーション・ダイアグラム



詳細は、弊社 www.onsemi.jp の営業または販売代理店にお問い合わせください。

12/14/2019 作成