

# LV8907UW

## 3DC



LV89073BLDCN-MOSFET2RDSONN-MOSFET/PILINLocal Interconnect NetworkLV8907SPI175°C LINPWM/LV8907BLDC

- 175°C
  - 5.5 V 20 V 4.5 V 40 V
  - 
  - LIN Watchdog
  - SPI
  - - - - - - PWM
  - PI
  - 
  - 5 V / 3.3 V
  - 6 MOSFET
- For more features, see the data sheet

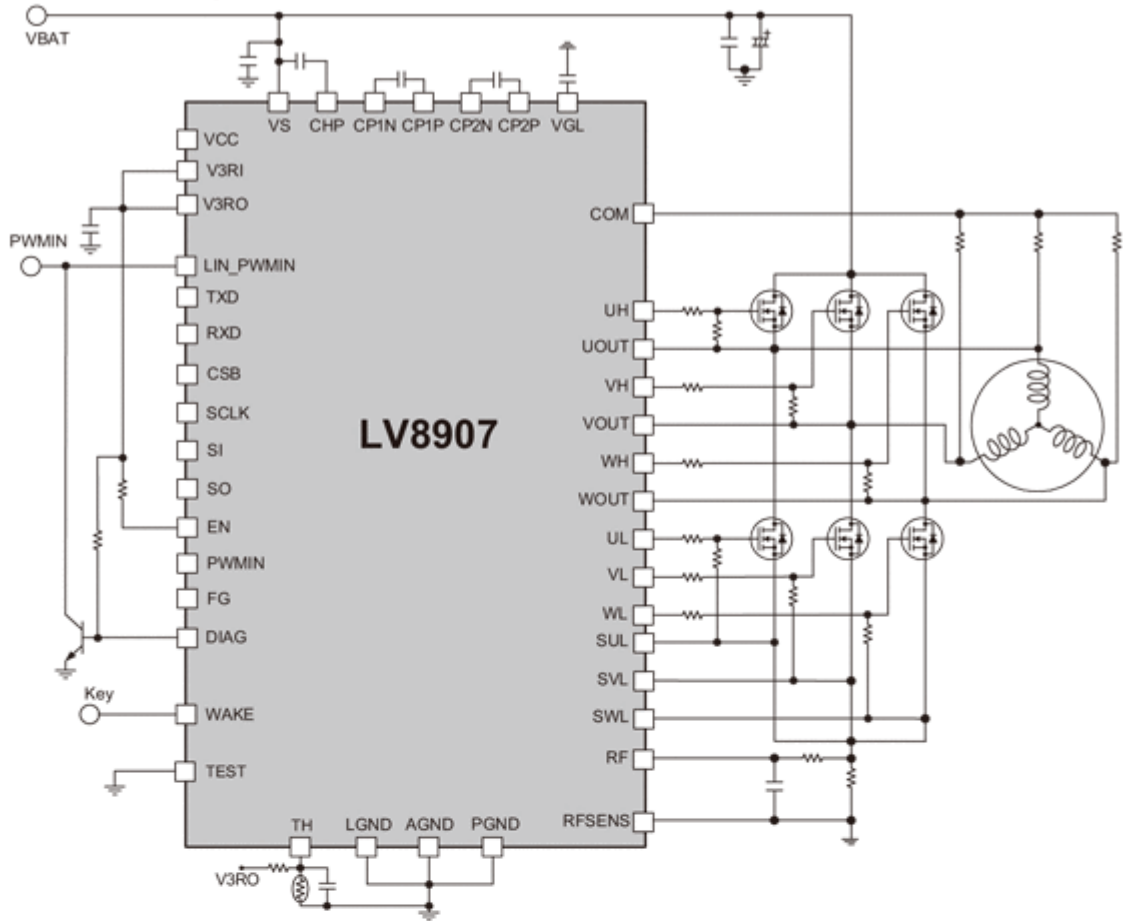
- Pumps (fuel, oil, coolant, hydraulic controls, vacuum, ...)
- Fans and Blowers (HVAC, radiator, condenser, battery, inverter, charger, ...)
- Compressors
- Cars, Boats, Trains, ...
- Building Automation (ventilation, heating system, solar boiler, automated doors & shutters, ...)
- Industrial Equipment
- White Goods

	Pricing (\$/Unit)	Compliance	Status	Phase	V <sub>M</sub> Min (V)	V <sub>M</sub> Max (V)	V <sub>CC</sub> Min (V)	V <sub>CC</sub> Max (V)	I <sub>O</sub> Max (A)	I <sub>O</sub> Peak Max (A)	Control Type	Package Type
LV8907UWR2G	10		Active	3	5.5	20			0.05	0.8		SQFP-48K



# APPLICATION BLOCK DIAGRAMS

## Example of Standalone Configuration



## Example of LIN Based Control Configuration

