

製品概要

LC05112CMT: Battery Protection Controller with Integrated MOSFET, 1-Cell Lithium-Ion

技術情報は、データシートをご参照ください。

The LC05112CMT is a protection IC for 1-cell lithium-ion secondary batteries with integrated power MOS FET. Also it integrates highly accurate detection circuits and detection delay circuits to prevent batteries from over-charging, over-discharging, over-current discharging and over-current charging. A battery protection system can be made by only LC05112CMT and few external parts.

特長

- Integrated power MOSSFET
- Low R_{son} 11mΩ
- PKG fuse trimming
- Reducing the dispersion of over-current detection
- Shut down Low current <0.1μA

利点

- Easy design
- Low power dissipation
- Short TAT, High accuracy
- High safety
- Long battery life

アプリケーション

- Battery protection units

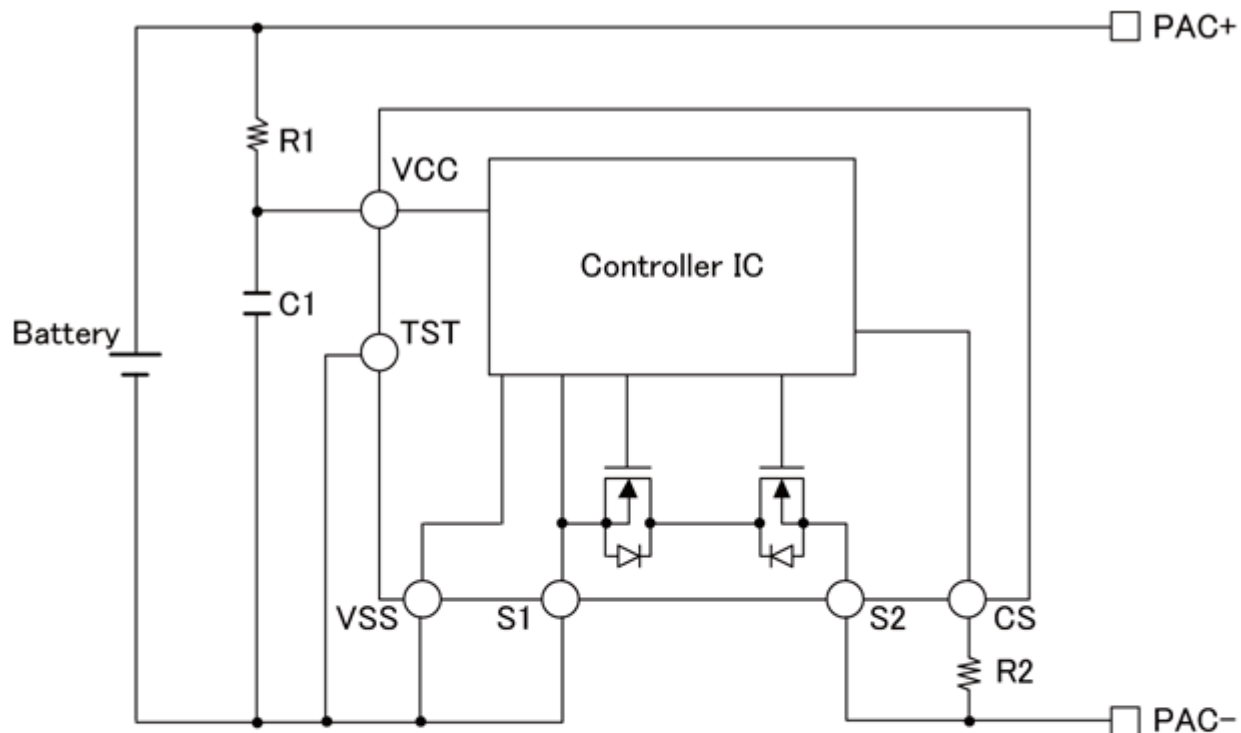
最終製品

- Smart phones
- Tablet PCs
- Wearable devices

電氣的仕様

製品	Compliance	Status	V _{ov} Typ. (mV)	V _{uv} Typ. (mV)	I _{oc} Typ. (A)	V _{oc} Typ. (mV)	I _{och} Typ. (A)	V _{och} Typ. (mV)	I _{oc2} Typ. (A)	V _{oc2} Typ. (mV)	R _{ss(on)} typ @ V _{gs} =4.5 V (mΩ)	Auto Wake Up Enable (Yes/No)	0 V Battery Charge Enable (Yes/No)	Packag e Type
LC05112C01MTTG	Pb-free Halide free	Active	4285	2200	6.3	-	4	-	21	-	11.2	No	No	WDFN- 6 Dual Flag

アプリケーション・ダイアグラム



Components	Recommended value	MAX	unit
R1	680	1k	Ω
R2	1k	2k	Ω
C1	2.2μ	4.7μ	F

* We don't guarantee the characteristics of the circuit shown above.

* TST pin would be better to be connected to VSS pin, though it is connected to VSS with internal resistor (100kΩ typ).

詳細は、弊社 www.onsemi.jp の営業または販売代理店にお問い合わせください。

10/14/2019 作成