

製品概要

LC05132C01MT: Battery Protection Controller with Integrated MOSFET, 1-Cell Lithium-Ion

技術情報は、データシートをご参照ください。

The LC05132C01MT is a protection IC for 1-cell lithium-ion secondary batteries with integrated power MOS FET. Also it integrates highly accurate detection circuits and detection delay circuits to prevent batteries from over-charging, over-discharging, over-current discharging and over-current charging. In addition, main system can execute the power-on reset of itself by turning off the charge FET and discharge FET of LC05132C01MT for a certain time period, with a reset signal. A battery protection system can be made by only LC05132C01MT and few external parts.

特長

- Integrated power MOSFET
- Low R_{son} 11mΩ
- PKG fuse trimming
- Reducing the dispersion of over-current detection
- Reset function Reset release time : 5s (typ) [Ta=25°C]

利点

- Easy design
- Low power dissipation
- Short TAT for preparing
- Highly accurate detection
- More safe operation for embedded battery

アプリケーション

- 1-cell Lithium-ion Secondary Batteries Protection

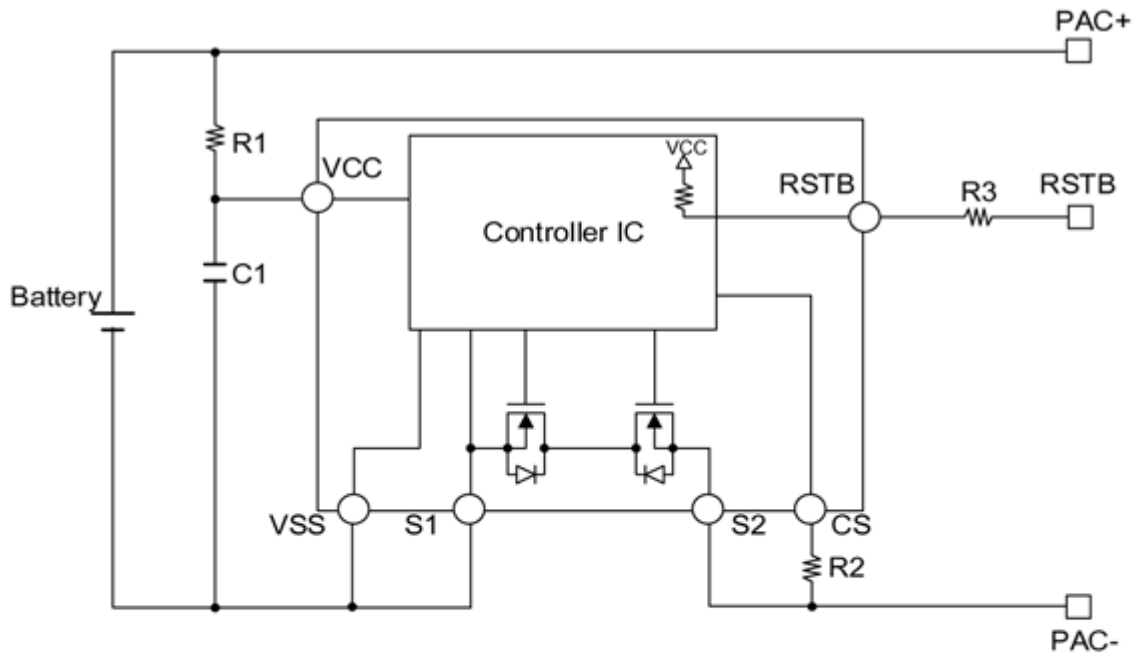
最終製品

- Smart phone
- Tablet
- Wearable device

電氣的仕様

製品	Pricing (\$/Unit)	Compliance	Status	V _{ov} Typ. (mV)	V _{div} Typ. (mV)	I _{oc} Typ. (A)	V _{oc} Typ. (mV)	I _{sch} Typ. (A)	V _{och} Typ. (mV)	I _{oc2} Typ. (A)	V _{oc2} Typ. (mV)	R _{ss(on)} typ @ V _{gs} =4.5V (mΩ)	Auto Wake Up Enable (Yes/No)	0 V Battery Charge Enable (Yes/No)	Package Type
LC05132C01MTTG	0.8	Pb-free Halide free	Active	4475	2200	6.3	-	5.2	-	17.5	-	11.2	No	No	WDFN -6 Dual Flag

アプリケーション・ダイアグラム



Components	Recommended value	MAX	unit
R1	680	1k	Ω
R2	1k	2k	Ω
R3	1k	2k	Ω
C1	1.0μ	-	F

* We don't guarantee the characteristics of the circuit shown above.

詳細は、弊社 www.onsemi.jp の営業または販売代理店にお問い合わせください。

12/8/2019 作成