

製品概要

NCP3012: Synchronous PWM Controller

技術情報は、データシートをご参照ください。

The NCP3012 is a PWM device designed to operate from a wide input range and is capable of producing an output voltage as low as 0.8V. The NCP3012 provides integrated gate drivers and an internally set 75kHz oscillator that has the capability to synchronous to an external frequency. The NCP3012 has an externally compensated transconductance error amplifier with an internally fixed soft start. The NCP3012 incorporates output voltage monitoring with a Power Good pin to indicate that the system is in regulation. The dual function SYNC pin synchronizes the device to a higher frequency (Slave Mode) or outputs a 180 degrees out of phase clock signal to drive another NCP3012 (Master Mode). Protection features include lossless current limit and short circuit protection, output overvoltage and undervoltage protection, and input undervoltage lockout. The NCP3012 is available in a 14-pin TSSOP package. Ideal for noise sensitive applications which require minimal interference from the power supply. (Medical, Networking, etc.)

特長

- Input voltage range from 4.7 V to 28 V
- 75 kHz operation
- 0.8 V +/-1% Reference Voltage
- Buffered external +1.25 V reference
- Current limit and short circuit Protection
- PowerGood output pin
- Enable/Disable pin
- Input and output voltage protection
- External synchronization

利点

- Ability to run for various input voltages
- High efficiency
- Accurate system regulation
- Additional regulated 1 mA output for additional use
- System level protection
- Power sequencing capability
- Power sequencing capability
- Enhanced system level protection
- Ability to sync to a higher frequency or 180° out-of-phase

アプリケーション

- Power Module

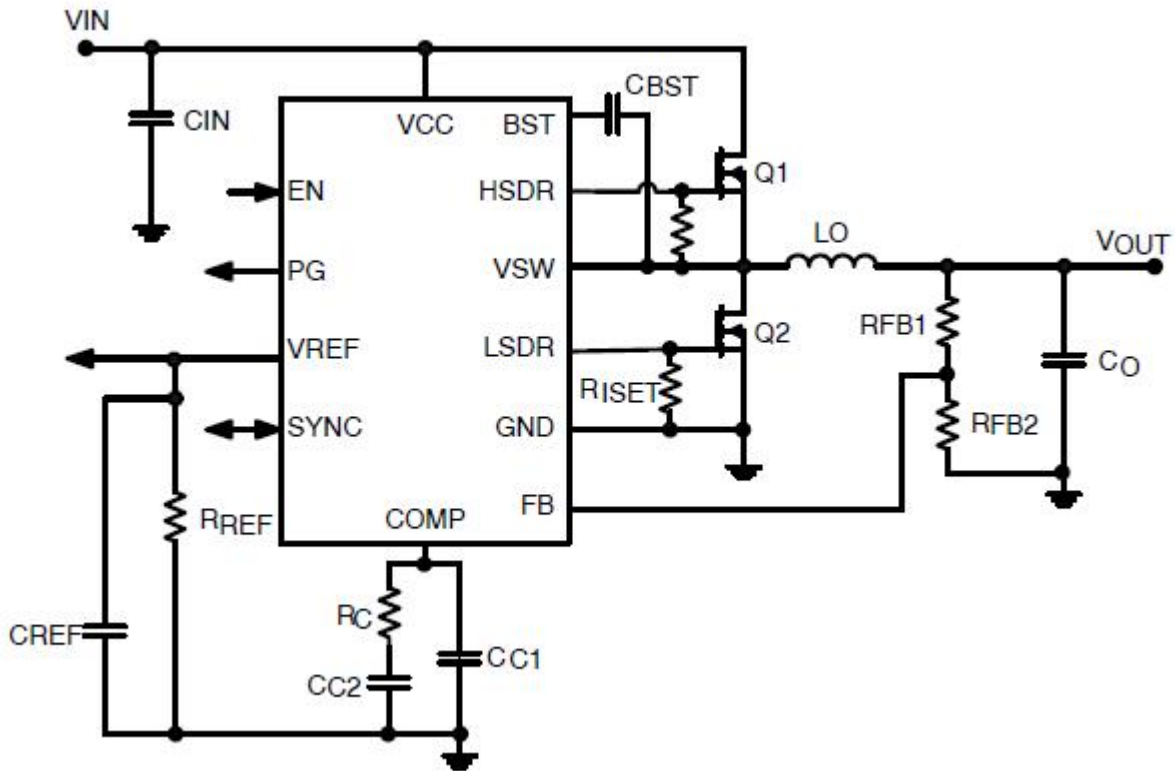
最終製品

- Medical Device
- Networking

電氣的仕様

製品	Pricing (\$/Unit)	Compliance	Status	Topology	Phases	Control Mode	V _{CC} Min (V)	V _{CC} Max (V)	f _{sw} Typ (kHz)	Package Type
NCP3012DTBR2G	0.5067	Pb-free Halide free	Active	Step-Down	1	Voltage Mode	4.7	28	Up to 200	TSSOP-14
NCV3012DTBR2G	0.6067	AEC Qualified PPAP Capable Pb-free Halide free	Active	Step-Down	1	Voltage Mode	4.7	28	Up to 200	TSSOP-14

アプリケーション・ダイアグラム



詳細は、弊社 www.onsemi.jp の営業または販売代理店にお問い合わせください。

11/22/2019 作成