

製品概要

NUD3105D: Relay Driver, 5.0 V , Dual

技術情報は、データシートをご参照ください。

This device is used to switch inductive loads such as relays, solenoids incandescent lamps and small DC motors without the need of a free-wheeling diode. The device integrates all necessary items such as the MOSFET switch, ESD protection, and Zener clamps. It accepts logic level inputs thus allowing it to be driven by a large variety of devices including logic gates, inverters and microcontrollers.

特長

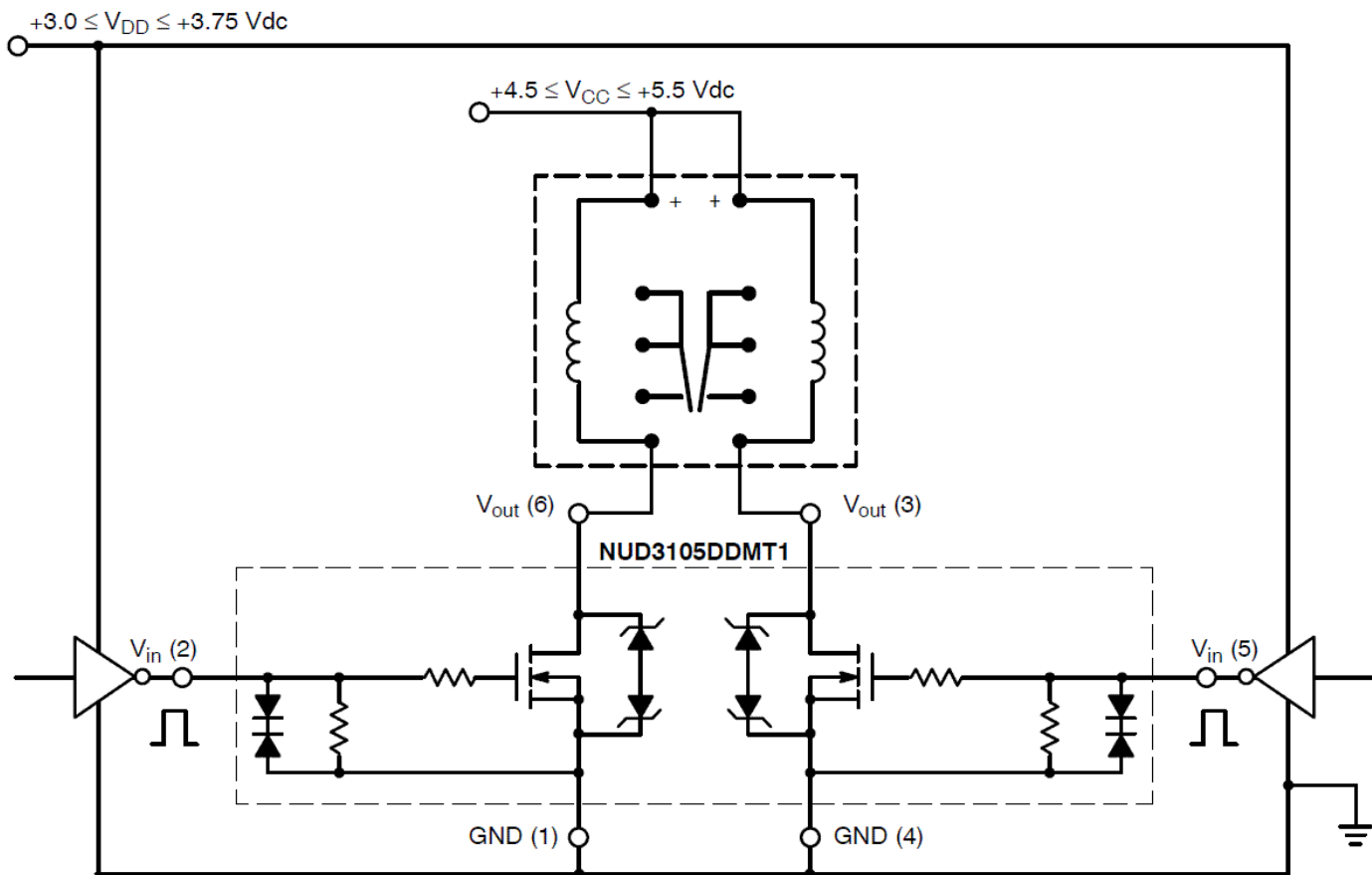
- Provides a Robust Driver Interface between D.C. Relay Coil and Sensitive Logic Circuits
- Optimized to Switch Relays from 3.0 V to 5.0 V Rail
- Capable of Driving Relay Coils rated up to 2.5 W at 5.0 V
- Internal Zener Eliminates the Need of Free-Wheeling Diode
- Internal Zener Clamp Routes Induced Current to Ground for Quieter Systems Operation
- Low VDS(on) Reduces System Current Drain

アプリケーション

- Telecom: Line Cards, Modems, Answering Machines and FAX
- Computers and Office: Photocopiers, Printers, and Desktop Computers
- Consumer: TVs and VCRs, Stereo Receivers, CD Players, Cassette Recorders
- Industrial: Small Appliances, Security Systems, Automated Test Equipment, Garage Door Openers
- Automotive: 5.0V Driven Relays, Motor Controls, Power Latches, and Lamp Drivers

電氣的仕様											
製品	Pricing (\$/Unit)	Compliance	Status	Number of Drivers	V _{CC} Max (V)	V _{(BR)GSS} Max (V)	V _{(BR)DSS} Max (V)	I _D Max (A)	r _{DS(on)} Max (Ω)	T _J Max (°C)	Package Type
NUD3105DMT1G	0.1681	Pb-free Halide free	Active	2	6	6	6	0.5	0.9	150	SC-74
SZNUD3105DMT1G	0.2053	AEC Qualified PPAP Capable Pb-free Halide free	Active	2	6	6	6	0.5	0.9	150	SC-74

アプリケーション・ダイアグラム



A 200 mW, 5.0 V Dual Coil Latching Relay Application
with 3.0 V Level Translating Interface

詳細は、弊社 www.onsemi.jp の営業または販売代理店にお問い合わせください。

11/22/2019 作成