

製品概要

ADM1026: Thermal System Management Fan Controller

技術情報は、データシートをご参照ください。

The ADM1026 is a complete system hardware monitor for microprocessor-based systems, providing measurement and limit comparison of various system parameters.

特長

- Up to 19 Analog Measurement Channels (Including Internal Measurements)
- Up to 8 Fan Speed Measurement Channels
- Up to 13 General-Purpose Logic I/O Pins
- Remote Temperature Measurement with Remote Diode (Two Channels)
- On-Chip Temperature Sensor
- Analog and PWM Fan Speed Control Outputs
- I2C Compatible System Management (SMBus)
- 8 kbytes on-chip E2PROM
- Chassis Intrusion Detect
- Interrupt Output

For more features, see the data sheet

アプリケーション

- Thermal Management

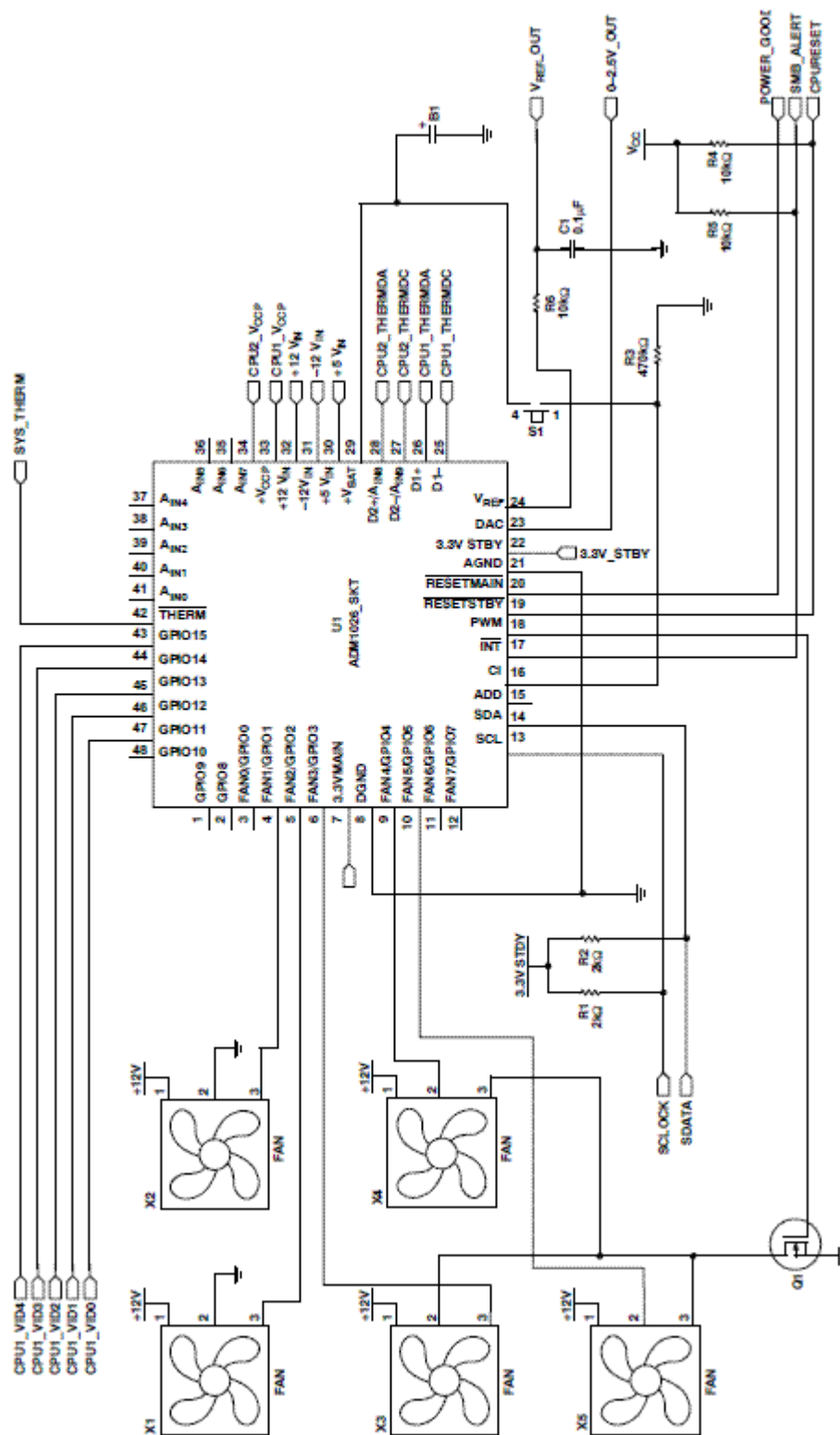
最終製品

- Notebook and Desktop Computers
- Game Consoles
- RFID Readers
- Multi-Channel Analog Receiver/Amplifier

電氣的仕様

製品	Pricing (\$/Unit)	Compliance	Status	Data Transmission Standard	I _{CC} Max (mA)	V _{CC} Min (V)	V _{CC} Max (V)	T Min (°C)	T Max (°C)	Package Type
ADM1026JSTZ-REEL	6.6665	Pb-free Halide free	Active	SMBus	4	3	5.5	0	100	LQFP-48

アプリケーション・ダイアグラム



詳細は、弊社 www.onsemi.jp の営業または販売代理店にお問い合わせください。

8/4/2020 作成