

製品概要

ADT7461A: Temperature Sensor with Series Resistance Cancellation

技術情報は、データシートをご参照ください。

The ADT7461A is a dual-channel digital thermometer and undertemperature/overtemperature alarm, intended for use in PCs and thermal management systems. It is pin- and register-compatible with the ADM1032 and the ADT7461. A feature of the ADT7461A is series resistance cancellation, where up to 1.5 k Ω (typical) of resistance in series with the temperature monitoring diode can be automatically cancelled from the temperature result, allowing noise filtering.

特長

- On-chip and remote temperature sensor
- 0.25°C resolution/1°C accuracy on remote channel
- 1°C resolution/1°C accuracy on local channel
- Automatically cancels up to 1.5 k Ω (typical) of resistance in series with remote diode to allow noise filtering
- Extended, switchable temperature measurement range 0°C to +127°C (default) or 64°C to +191°C
- Pin- and register-compatible with ADM1032 and ADT7461
- 2-wire SMBus serial interface with SMBus alert support
- Programmable over/undertemperature limits
- Offset registers for system calibration
- Up to two overtemperature fail-safe THERM outputs

For more features, see the data sheet

アプリケーション

- Thermal Management

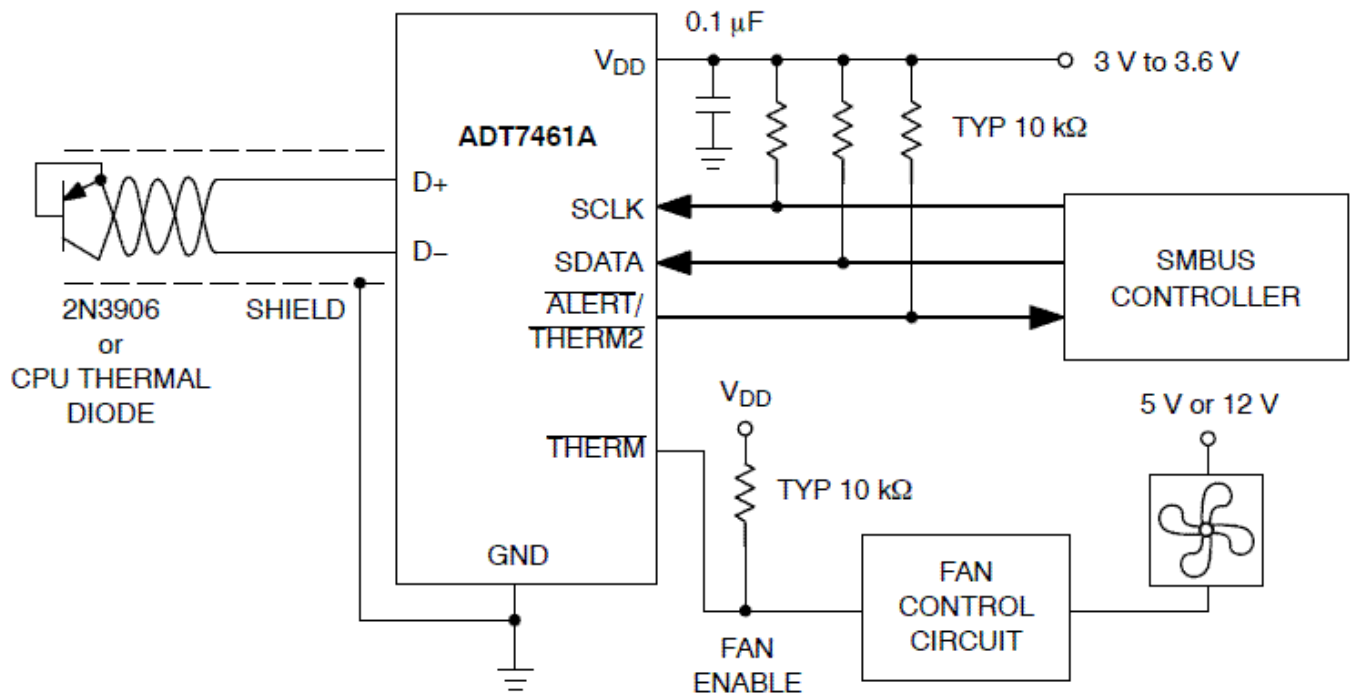
最終製品

- Notebook and Desktop Computers
- Game Consoles
- RFID Readers
- Graphics Cards
- LCD TVs

電気的仕様

製品	Pricing (\$/Unit)	Compliance	Status	Sensor Type	Data Transmission Standard	I _{CC} Max (mA)	V _{CC} Min (V)	V _{CC} Max (V)	T Min (°C)	T Max (°C)	Temperature Error (°C)	Package Type
ADT7461AARMZ-R	2.6533	Pb-free Halide free	Active	Local & Remote	SMBus	0.35	3	3.6	-40	125	±1	Micro8™

アプリケーション・ダイアグラム



詳細は、弊社 www.onsemi.jp の営業または販売代理店にお問い合わせください。

12/12/2019 作成