

# MECHANICAL CASE OUTLINE

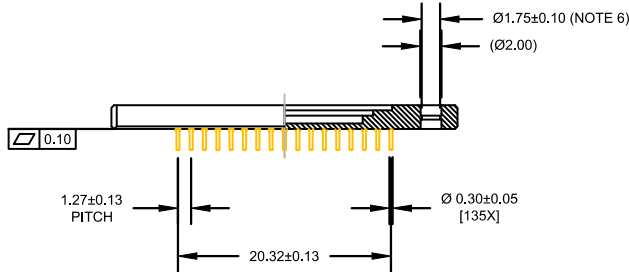
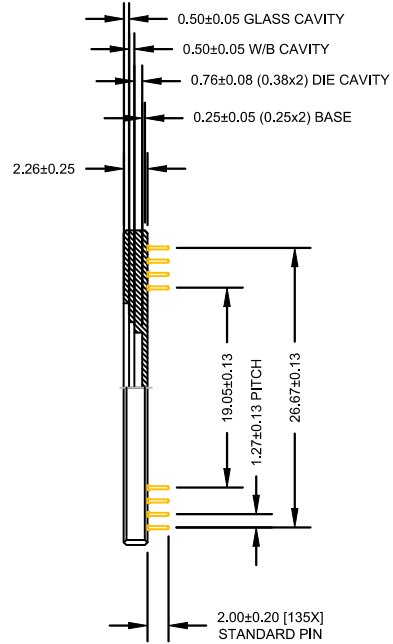
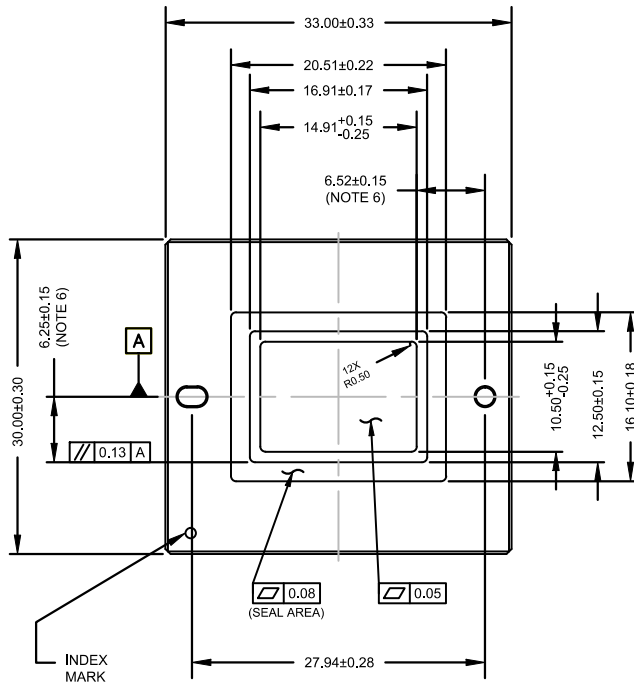
## PACKAGE DIMENSIONS

ON Semiconductor®

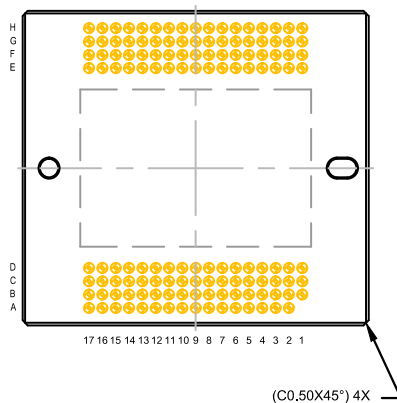
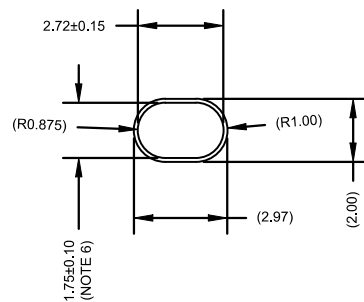


### CPGA135 33x30 CASE 107EY ISSUE O

DATE 09 DEC 2014



#### DETAIL OF SLOTTED HOLE



#### NOTES:

- PIN TO PIN DISTANCES ARE MEASURED AT PIN BASE.
- INSIDE DIMENSIONS OF THE TWO HOLES ARE DEFINED BY THE THIRD CERAMIC LAYER FROM THE TOP.
- DATUM -A- TO BE DEFINED BY CENTER OF THE TWO HOLES.

<b>DOCUMENT NUMBER:</b>	<b>98AON93581F</b>	Electronic versions are uncontrolled except when accessed directly from the Document Repository. Printed versions are uncontrolled except when stamped "CONTROLLED COPY" in red.
<b>DESCRIPTION:</b>	<b>CPGA135 33X30</b>	<b>PAGE 1 OF 1</b>

ON Semiconductor and ON are trademarks of Semiconductor Components Industries, LLC dba ON Semiconductor or its subsidiaries in the United States and/or other countries. ON Semiconductor reserves the right to make changes without further notice to any products herein. ON Semiconductor makes no warranty, representation or guarantee regarding the suitability of its products for any particular purpose, nor does ON Semiconductor assume any liability arising out of the application or use of any product or circuit, and specifically disclaims any and all liability, including without limitation special, consequential or incidental damages. ON Semiconductor does not convey any license under its patent rights nor the rights of others.