



Is Now Part of



ON Semiconductor®

To learn more about ON Semiconductor, please visit our website at
www.onsemi.com

ON Semiconductor and the ON Semiconductor logo are trademarks of Semiconductor Components Industries, LLC dba ON Semiconductor or its subsidiaries in the United States and/or other countries. ON Semiconductor owns the rights to a number of patents, trademarks, copyrights, trade secrets, and other intellectual property. A listing of ON Semiconductor's product/patent coverage may be accessed at www.onsemi.com/site/pdf/Patent-Marking.pdf. ON Semiconductor reserves the right to make changes without further notice to any products herein. ON Semiconductor makes no warranty, representation or guarantee regarding the suitability of its products for any particular purpose, nor does ON Semiconductor assume any liability arising out of the application or use of any product or circuit, and specifically disclaims any and all liability, including without limitation special, consequential or incidental damages. Buyer is responsible for its products and applications using ON Semiconductor products, including compliance with all laws, regulations and safety requirements or standards, regardless of any support or applications information provided by ON Semiconductor. "Typical" parameters which may be provided in ON Semiconductor data sheets and/or specifications can and do vary in different applications and actual performance may vary over time. All operating parameters, including "Typicals" must be validated for each customer application by customer's technical experts. ON Semiconductor does not convey any license under its patent rights nor the rights of others. ON Semiconductor products are not designed, intended, or authorized for use as a critical component in life support systems or any FDA Class 3 medical devices or medical devices with a same or similar classification in a foreign jurisdiction or any devices intended for implantation in the human body. Should Buyer purchase or use ON Semiconductor products for any such unintended or unauthorized application, Buyer shall indemnify and hold ON Semiconductor and its officers, employees, subsidiaries, affiliates, and distributors harmless against all claims, costs, damages, and expenses, and reasonable attorney fees arising out of, directly or indirectly, any claim of personal injury or death associated with such unintended or unauthorized use, even if such claim alleges that ON Semiconductor was negligent regarding the design or manufacture of the part. ON Semiconductor is an Equal Opportunity/Affirmative Action Employer. This literature is subject to all applicable copyright laws and is not for resale in any manner.

Application Note AN4141

Troubleshooting and Design Tips for Fairchild Power Switch (FPS™) Flyback Applications

Introduction

This application note describes troubleshooting for problems that power supply engineers may encounter when operating FPS application circuits. This note helps engineers figure out causes and solutions to their problems starting with the symptoms. Some useful application tips are also provided. The following items are covered in this application note.

1. When the power supply does not start	pp.2
2. When the power supply is unstable.....	pp.3
3. When there is a transient overshoot in the output voltage.....	pp.4
4. When the peak drain voltage exceeds the rated voltage.....	pp.4
5. When sub-harmonic oscillation occurs.....	pp.5
6. When the line frequency ripple on the output voltage is too large.....	pp.5
7. When the power conversion efficiency is too low.....	pp.6
8. When the audio noise occurs	pp.6
9. PCB layout consideration	pp.6
10. Application circuit for delayed shutdown in a over load protection.....	pp.7
11. Application circuit for a very tight output regulation	pp.7
12. Application circuit to convert auto-restart mode into latch mode.....	pp.8

Figure 1 shows the schematic of the basic off-line flyback converter using FPS, which also serves as the reference circuit for the troubleshooting described in this application note. It is also assumed that all the protection circuits within the FPS are in auto restart mode.

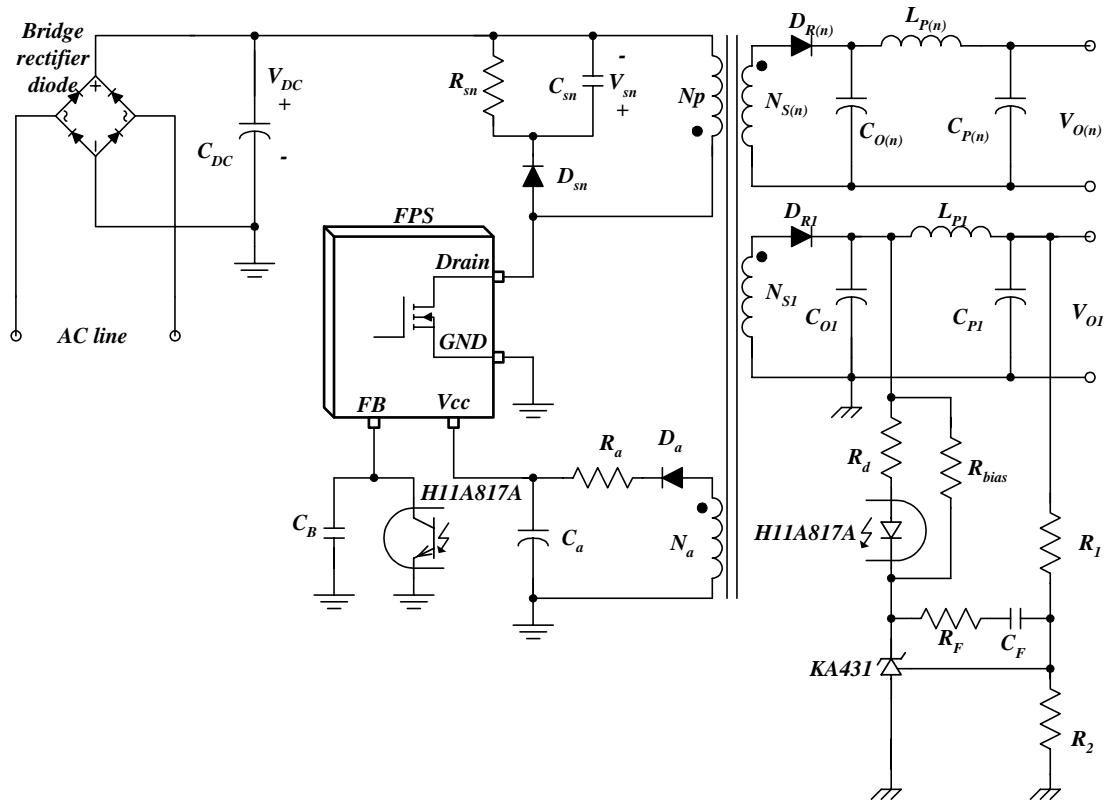


Figure 1. Basic Off-line Flyback Converter Using FPS

1. When the power supply does not start.

When, the converter does not startup, the first point to check is the Vcc voltage. The FPS is designed to begin switching operation when Vcc reaches its start voltage.

(a) Symptom : Vcc does not reach the Vcc start voltage.

- Check the startup circuit. In the case of the FPS requiring external startup circuit, too large a startup resistor may cause this situation.
- Check Vcc capacitor. Failure of the Vcc capacitor also can cause this phenomenon.

(b) Symptom : Vcc reaches Vcc stop voltage, consequently triggering a protection as shown in Figure 2.

- Check that the Vcc winding is connected to Vcc pin of the FPS through the rectifier diode.
- Too small a Vcc capacitor (C_a) may cause an Under voltage lockout during startup. Typical value for C_a is 10-50uF.

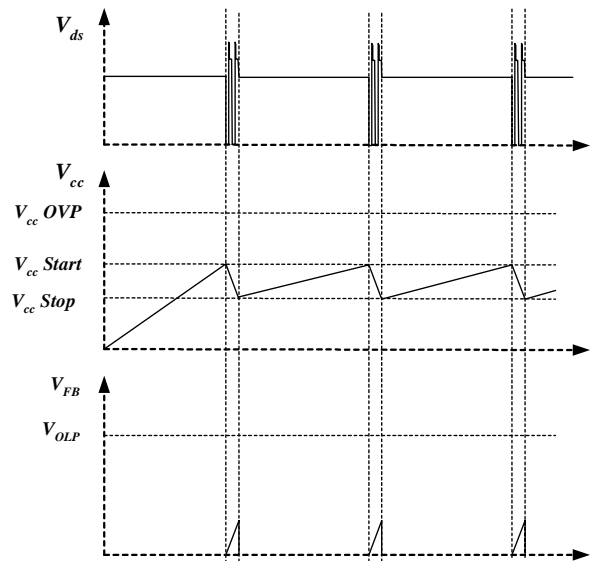


Figure 2. Under voltage Lock out protection

(c) **Symptom : V_{cc} reaches the V_{cc} OVP (over voltage protection) voltage, consequently triggering a protection as shown in Figure 3.**

- Check that the number of turns for the V_{cc} winding is correct. It is typical to design V_{cc} to be around V_{cc} start voltage (Refer to the data sheet).
- Usually V_{cc} increases as the load currents of other outputs increase due to the imperfect coupling of the transformer. When the V_{cc} winding is poorly coupled with output windings, V_{cc} may reach OVP level. In this case, increase the damping resistor (R_a) that is in series with the V_{cc} diode. The typical value for R_a is 5-20 Ω .
- Check the polarity of V_{cc} winding. If the polarity of the V_{cc} winding is reversed, the V_{cc} voltage might be larger than the designed value.
- When the opto-coupler, output capacitor or rectifier diode fails, OVP can be triggered.
- In the case of multiple outputs, OVP can be triggered when one of the outputs is very lightly loaded or unloaded while other outputs are heavily loaded.

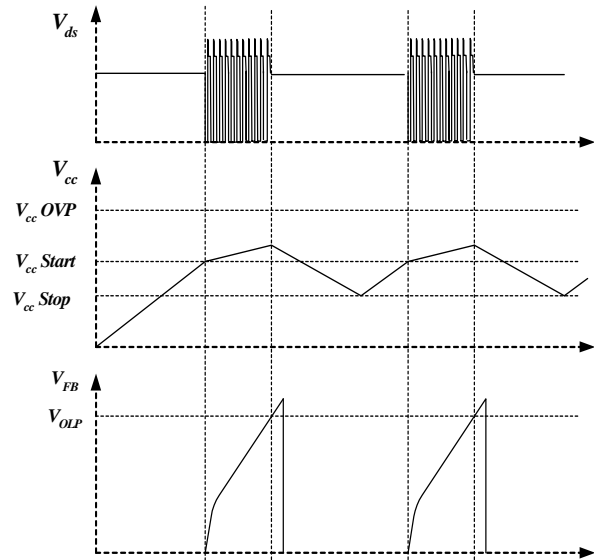


Figure 4. The Over load protection

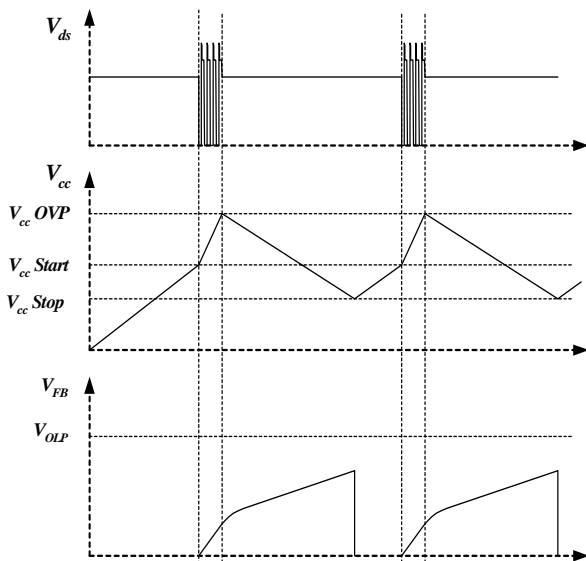


Figure 3. V_{cc} OVP protection

(c) **Symptom : V_{FB} reaches the OLP (over load protection) level, consequently triggering a protection as shown in Figure 4.**

- Too small a feedback capacitor (C_B) may cause a OLP during startup. Typical value for C_B is 10-50nF.
- The failure of output capacitor can cause OLP.
- Too large an opto LED series resistor (R_d) may cause OLP. R_d should be designed to guarantee the full swing of the feedback voltage for the FPS device. For detailed design equations, refer to AN4137.

2. When the power supply is unstable.

First of all, check if the converter is really stable or not. In many cases, an auto restart operation triggered by a protection circuit, as shown in Figure 2, 3 and 4, is misunderstood as unstable operation. Sometimes, 120Hz ripple of the feedback voltage due to the line frequency, as shown in Figure 5, is also misunderstood as unstable operation.

The best way to check the instability is to monitor the feedback capacitor. When the feedback voltage oscillates with other than 120Hz and its waveforms are different from those in Figure 2, 3 and 4, it can be considered legitimately unstable. The real waveforms of an unstable converter are shown in Figure 6 where the feedback voltage oscillates with a frequency different from 120Hz.

The instability is usually caused by insufficient gain/phase margin of the feedback loop. For a detailed design process of the feedback loop, refer to AN4137. Usually the following actions reduce the feedback gain, consequently making the system stable.

- Increase the opto LED series resistor (R_d).
- Increase the resistors (R_1 and R_2) in the voltage divider network of the feedback circuit while keeping R_1/R_2 constant.
- Sometimes, the post LC filter in the output makes the system unstable by introducing a low frequency pole to the system transfer function. Check if the resonant frequency of the post LC filter is below 1kHz. If so then, reduce the capacitor of the post LC filter.

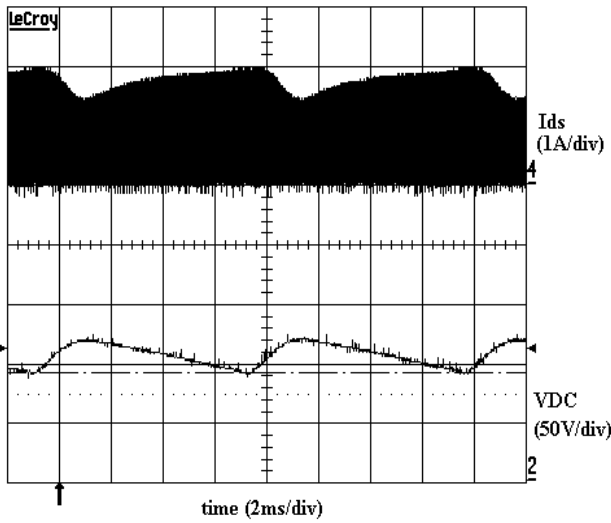


Figure 5. Effect of 120Hz ripple

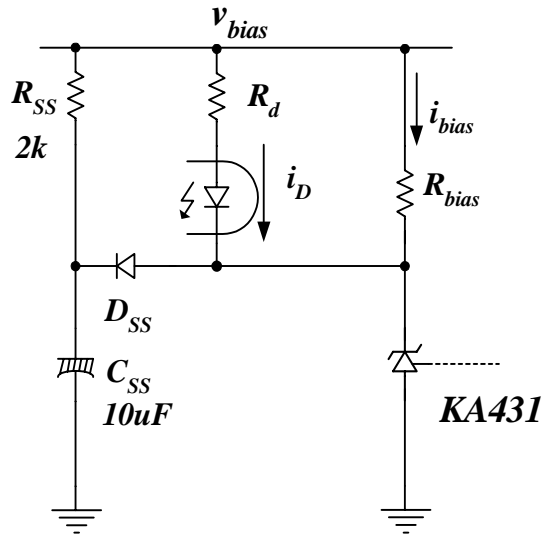


Figure 7. External soft-start circuit

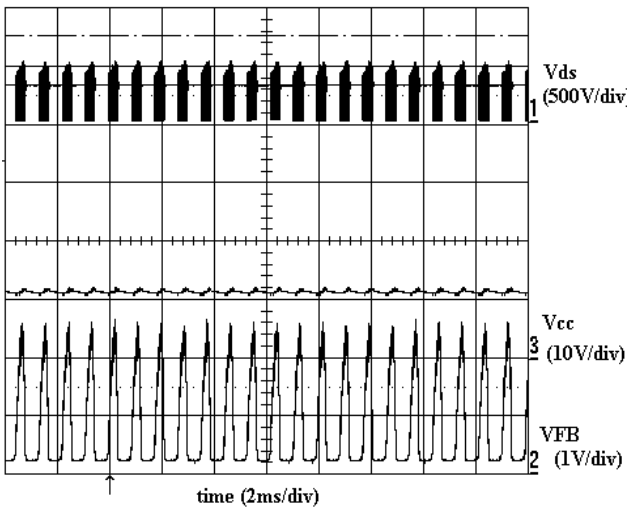


Figure 6. Unstable system

3. When there is a transient overshoot in the output voltage.

- Check if the feedback loop has sufficient phase margin.
- If overshoot occurs only during startup, add an external soft-start circuit in the feedback network as show in Figure 7. This circuit removes the output voltage overshoot by slowly increasing the current through the opto LED.

4. When the peak drain voltage exceeds the rated voltage.

Figure 8 shows a typical MOSFET drain voltage waveform for the universal input application. Many customers make it a rule to keep the maximum drain voltage under 80% of the BV_{dss} of the MOSFET. When the maximum drain voltage in normal operation exceeds its specification, reduce the snubber capacitor voltage (V_{sn}) by reducing the reflected output voltage (V_{RO}). V_{RO} can be reduced by decreasing the primary side turns with other winding turns fixed. Because this increases the voltage stress in the secondary side diodes, the voltage stresses on the secondary side diodes should be checked again. The snubber capacitor voltage can be also reduced by decreasing the snubber resistor. However, this method has a limitation, since it increases the loss in the snubber network. It is typical to set the snubber capacitor voltage to be around twice the reflected output voltage as shown in Figure 8. For detailed design equations, refer to the application note AN4137. If the drain voltage exceeds its specification only when it starts up, use the soft-start circuit in Figure 7.

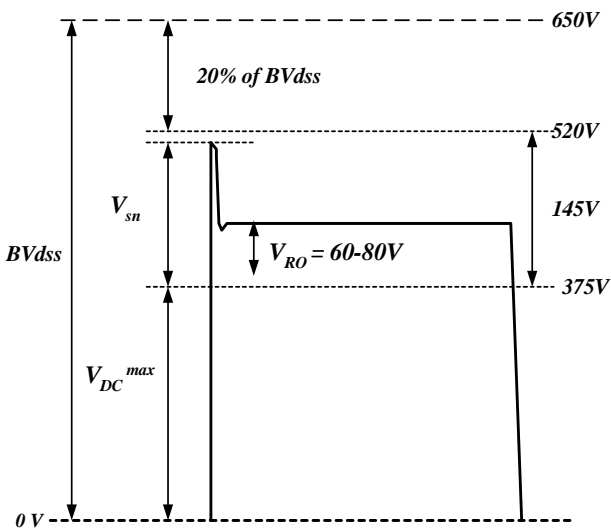


Figure 8. Drain voltage

5. When sub-harmonic oscillation occurs.

Most FPS employ current mode control except for the low power FPS for battery charger applications. In the case of the current mode controlled FPS, sub-harmonic oscillation occurs when the duty cycle exceeds 50% in continuous conduction mode (CCM) operation as shown in Figure 9. When sub-harmonic oscillation occurs, the converter can become unstable or generate audible noise. In that case, the followings should be checked.

- Check if the converter is over loaded.
- Check if the maximum duty ratio is set too large. If this is the case , reduce the primary to secondary turn ratio (N_p/N_s).

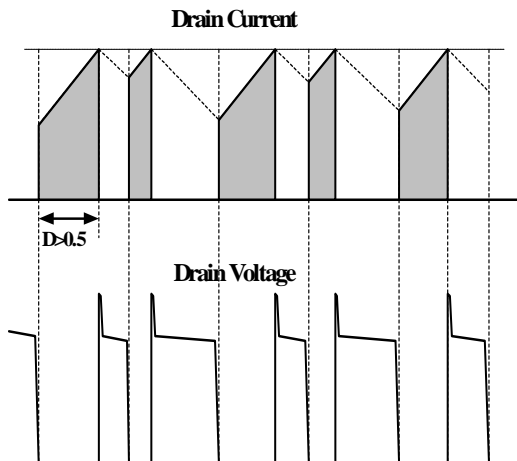


Figure 9. Sub-harmonic oscillation

In the case of a 650V rated FPS application with a universal input, the maximum duty ratio is typically designed as below 50%. However, for 100V input voltage applications, a duty ratio larger than 50% is required to minimize the conduction loss of the MOSFET and the voltage stress on the secondary side diode. In that case, a slope compensation circuit shown in Figure 10 can be used.

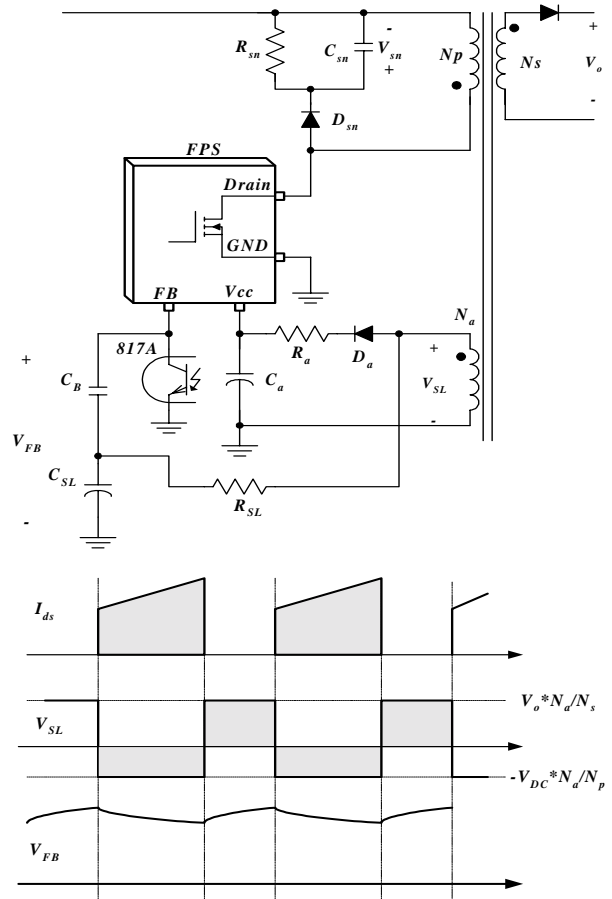


Figure 10. Slope compensation circuit

6. When the line frequency ripple on the output voltage is too large.

- Too low a bandwidth in the feedback loop can cause this problem. Increase the opto LED series resistor (R_d) or the resistors (R_1 and R_2) in the voltage divider network to increase the bandwidth.

7. When the power conversion efficiency is too low.

- Check if the snubber capacitor voltage is too low. It is typical to set the snubber capacitor voltage to be about twice of the reflected output voltage. By increasing the snubber resistor, the capacitor voltage can be increased.
- When the efficiency at the minimum input voltage is too low, the efficiency can be improved by increasing the DC link capacitor (C_{DC}) or by increasing the inductance of the transformer.

8. When audible noise occurs

Even though the switching frequency of FPS is above the range of human hearing, audible noise can be generated during transient or burst operation. In most flyback converters, the major noise sources are the transformers and capacitors.

(a) Transformer audible noise

Transformers can produce audible noise, since it contains many physically movable elements, such as coils, isolation tape and bobbins. The current in the coil produces electromagnetic fields and therefore generates repulsive and/or attractive forces between coils. This can produce a physical vibration in the coils, ferrite cores or isolation tapes.

The most effective way to reduce the audible noise in the transformer is to remove the possibility of physical movement of the transformer elements by using adhesive material or by varnishing.

(b) Capacitor audible noise

Ceramic capacitors can also produce audible noise, since they have piezoelectric characteristics. If there is still too much audible noise in burst operation, after gluing or varnishing the transformer properly, the capacitor in the snubber network should be examined.

By replacing the ceramic capacitor with a film capacitor, the audible noise can be reduced. Another way is to reduce the snubber capacitor value, which decreases the pulse current that charges the capacitor every time the FPS resumes switching operation in burst mode as shown in Figure 11.

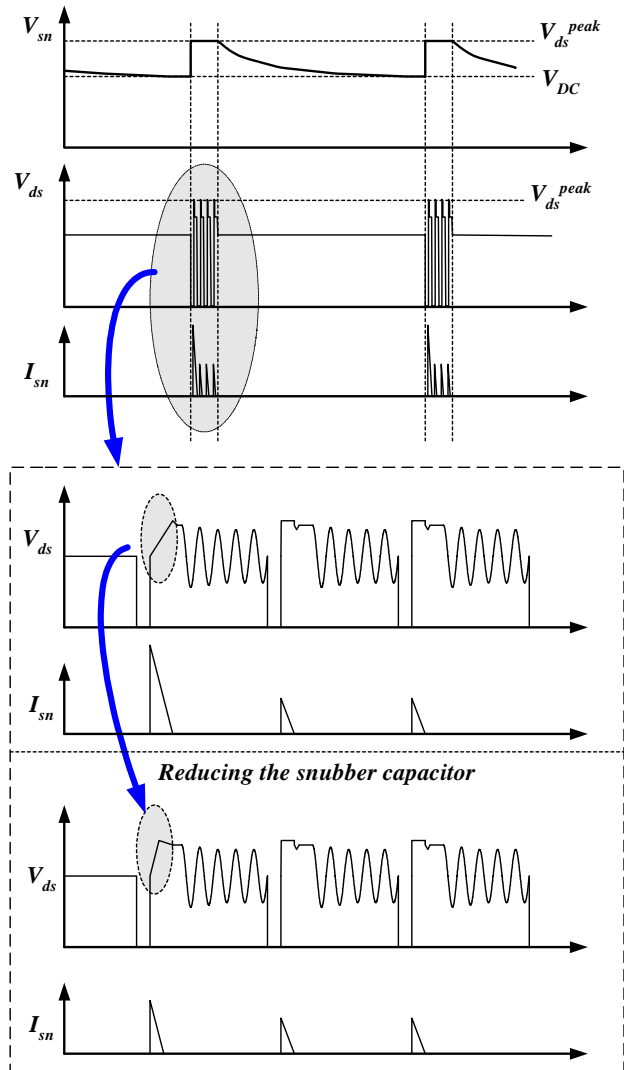


Figure 11. Audible noise reduction by reducing the snubber capacitor

9. PCB layout consideration

Figure 12 shows the typical layout for FPS application. The layout should be done to minimize the switching noise in the Vcc pin and feedback pin. Signal ground should be connected directly to the GND pin of FPS without sharing the trace with the power ground. The Vcc capacitor (C_A) and feedback capacitor (C_B) should be placed as close to FPS as possible to minimize noise. The cathode of snubber diode should be close to the drain pin of FPS to minimize the stray inductance. The Y-capacitor (C_Y) should be connected directly to the ground of the DC link capacitor (C_{DC}) to maximize the surge immunity.

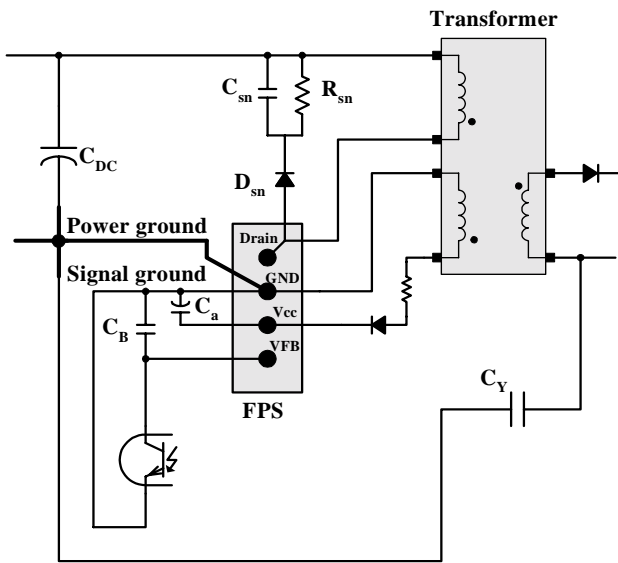


Figure 12. Typical PCB layout

10. Application circuit for delayed shutdown in an overload protection.

In order to avoid premature triggering of over load protection (OLP) during transient, FPS employs delayed shutdown. When the feedback voltage (V_{FB}) reaches 2.7V, V_{FB} is clamped inside of FPS and delay current (I_{delay}) charges the feedback capacitor (C_B). The shutdown delay time is given by the time required to charge C_B from 2.7V to OLP threshold. The shutdown delay time can be extended by increasing C_B . However, too large a feedback capacitor can limit the control loop bandwidth.

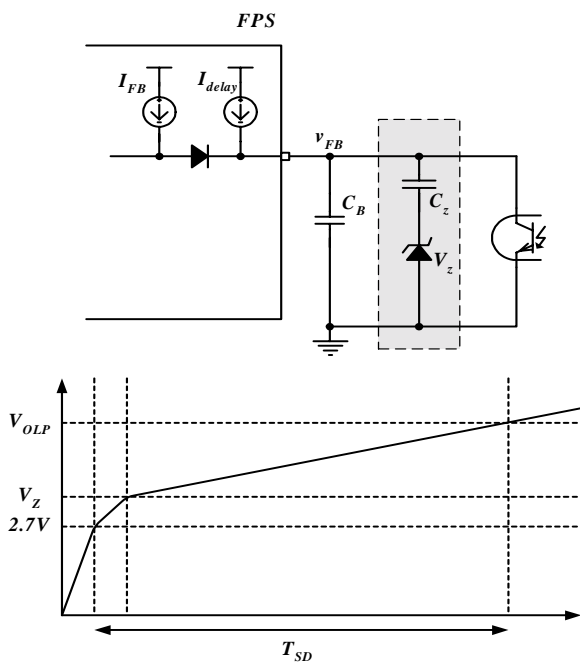


Figure 13. Delayed shutdown

Application circuit to extend the shutdown time without limiting the control bandwidth is shown in Figure 13. By setting the zener breakdown voltage (V_Z) slightly higher than 2.7V, the additional delay capacitor (C_Z) is isolated from the feedback circuit in normal operation. When the feedback voltage exceeds the zener breakdown voltage (V_Z), C_Z together with C_B determine the shutdown time.

11. Application circuit for multiple output with a very tight output regulation

When it comes to multiple output applications, the output with the most tight regulation requirement is used for the feedback control and other outputs are determined by the transformer turns ratio. With this conventional approach, it is difficult to precisely regulate more than two outputs at the same time. If more than two outputs require a very tight regulation, regulate the highest current output with a feedback control and other outputs with a linear regulator as shown in Figure 14. If the output current is smaller than 1A, standard linear regulator such as KA7805 can be used. If the output current is larger than 1A and the output voltage is not standard, linear regulator circuit with discrete component should be used.

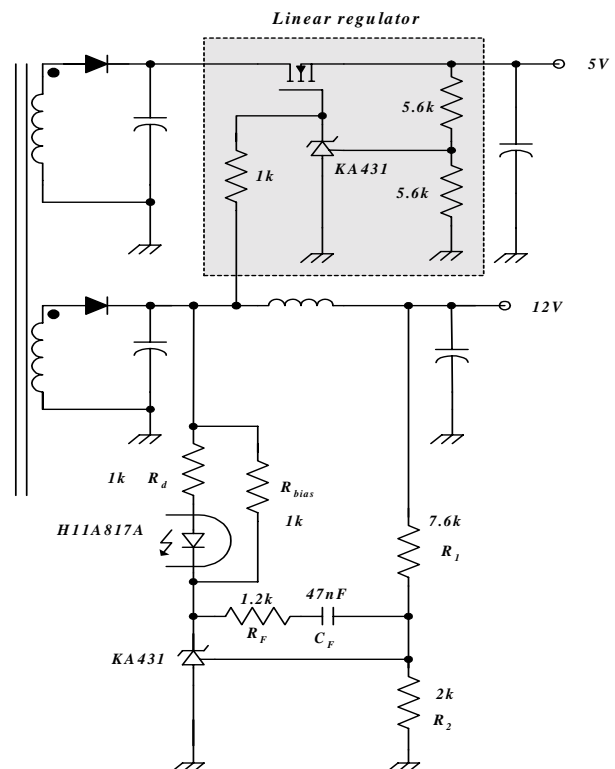


Figure 14. Linear regulator circuit for tight regulation

12. Application circuit to convert auto-restart mode into latch mode

These days, most protections in FPS are implemented in auto-restart mode. However, in some applications, latch mode protection is preferred rather than auto restart mode protection. In that case, auto restart mode can be converted into latch mode using the application circuit of Figure 15 which shows latch mode over load protection. Once the feedback voltage (VFB) exceeds the zener breakdown voltage, the latch circuit is triggered and pull down the Vcc voltage. Then, the FPS remains off until Vcc capacitor (Ca) is fully discharged by the power off.

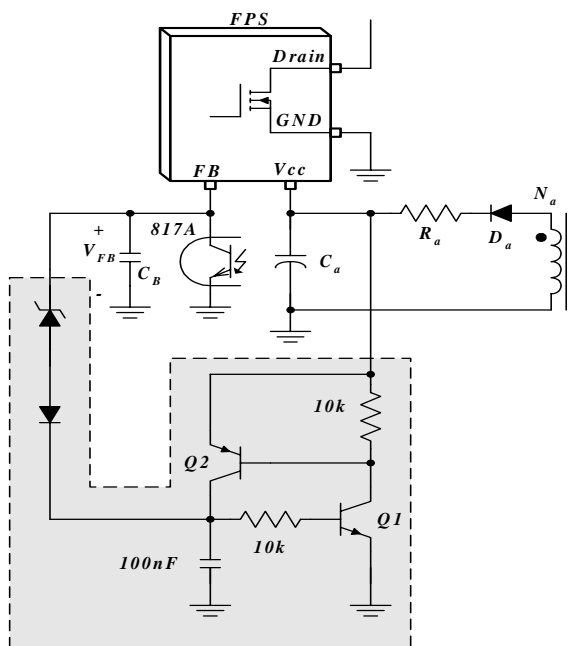


Figure 15. Latch mode protection circuit

by Hang-Seok Choi / Ph. D

FPS Application Group / Fairchild Semiconductor
Phone : +82-32-680-1383 Facsimile : +82-32-680-1317
E-mail : hschoi@fairchildsemi.co.kr

[Fairchild Power Supply WebDesigner — Flyback Design & Simulation - In Minutes at No Expense](#)

DISCLAIMER

FAIRCHILD SEMICONDUCTOR RESERVES THE RIGHT TO MAKE CHANGES WITHOUT FURTHER NOTICE TO ANY PRODUCTS HEREIN TO IMPROVE RELIABILITY, FUNCTION OR DESIGN. FAIRCHILD DOES NOT ASSUME ANY LIABILITY ARISING OUT OF THE APPLICATION OR USE OF ANY PRODUCT OR CIRCUIT DESCRIBED HEREIN; NEITHER DOES IT CONVEY ANY LICENSE UNDER ITS PATENT RIGHTS, NOR THE RIGHTS OF OTHERS.

LIFE SUPPORT POLICY

FAIRCHILD'S PRODUCTS ARE NOT AUTHORIZED FOR USE AS CRITICAL COMPONENTS IN LIFE SUPPORT DEVICES OR SYSTEMS WITHOUT THE EXPRESS WRITTEN APPROVAL OF THE PRESIDENT OF FAIRCHILD SEMICONDUCTOR CORPORATION. As used herein:

1. Life support devices or systems are devices or systems which, (a) are intended for surgical implant into the body, or (b) support or sustain life, or (c) whose failure to perform when properly used in accordance with instructions for use provided in the labeling, can be reasonably expected to result in significant injury to the user.
2. A critical component is any component of a life support device or system whose failure to perform can be reasonably expected to cause the failure of the life support device or system, or to affect its safety or effectiveness.

ON Semiconductor and  are trademarks of Semiconductor Components Industries, LLC dba ON Semiconductor or its subsidiaries in the United States and/or other countries. ON Semiconductor owns the rights to a number of patents, trademarks, copyrights, trade secrets, and other intellectual property. A listing of ON Semiconductor's product/patent coverage may be accessed at www.onsemi.com/site/pdf/Patent-Marking.pdf. ON Semiconductor reserves the right to make changes without further notice to any products herein. ON Semiconductor makes no warranty, representation or guarantee regarding the suitability of its products for any particular purpose, nor does ON Semiconductor assume any liability arising out of the application or use of any product or circuit, and specifically disclaims any and all liability, including without limitation special, consequential or incidental damages. Buyer is responsible for its products and applications using ON Semiconductor products, including compliance with all laws, regulations and safety requirements or standards, regardless of any support or applications information provided by ON Semiconductor. "Typical" parameters which may be provided in ON Semiconductor data sheets and/or specifications can and do vary in different applications and actual performance may vary over time. All operating parameters, including "Typicals" must be validated for each customer application by customer's technical experts. ON Semiconductor does not convey any license under its patent rights nor the rights of others. ON Semiconductor products are not designed, intended, or authorized for use as a critical component in life support systems or any FDA Class 3 medical devices or medical devices with a same or similar classification in a foreign jurisdiction or any devices intended for implantation in the human body. Should Buyer purchase or use ON Semiconductor products for any such unintended or unauthorized application, Buyer shall indemnify and hold ON Semiconductor and its officers, employees, subsidiaries, affiliates, and distributors harmless against all claims, costs, damages, and expenses, and reasonable attorney fees arising out of, directly or indirectly, any claim of personal injury or death associated with such unintended or unauthorized use, even if such claim alleges that ON Semiconductor was negligent regarding the design or manufacture of the part. ON Semiconductor is an Equal Opportunity/Affirmative Action Employer. This literature is subject to all applicable copyright laws and is not for resale in any manner.

PUBLICATION ORDERING INFORMATION

LITERATURE FULFILLMENT:

Literature Distribution Center for ON Semiconductor
19521 E. 32nd Pkwy, Aurora, Colorado 80011 USA
Phone: 303-675-2175 or 800-344-3860 Toll Free USA/Canada
Fax: 303-675-2176 or 800-344-3867 Toll Free USA/Canada
Email: orderlit@onsemi.com

N. American Technical Support: 800-282-9855 Toll Free
USA/Canada
Europe, Middle East and Africa Technical Support:
Phone: 421 33 790 2910
Japan Customer Focus Center
Phone: 81-3-5817-1050

ON Semiconductor Website: www.onsemi.com
Order Literature: <http://www.onsemi.com/orderlit>
For additional information, please contact your local
Sales Representative