



AMIS-3062x and NCV70627 Micro-Stepping Motor Driver Family, Robust Motion Control Using the AMIS-3062x and NCV70627

APPLICATION NOTE

Introduction

The AMIS-3062x and NCV70627 is a family of integrated micro-stepping stepper motor driver solutions which are designed with a number of innovative features, including a position controller as well as the control/diagnostics interface. A number of devices in this product family are targeted at dedicated mechatronics applications, whereby they are coupled to a remote LIN master. Alternatively, other versions of these devices can be interfaced to an external microcontroller via an I²C bus.

In these applications, the motor driver IC receives positioning instructions via the bus (LIN or I²C) and subsequently drives the motor coils to the desired position. The on-chip position controller is configurable (OTP) for different motor types and positioning ranges, as well as speed, acceleration and deceleration parameters, respectively. In addition, the “micro-stepping” feature allows for silent motor operation and increased positioning resolution.

The AMIS-3062x and NCV70627 family is fully compatible with the operating voltages in automotive and industrial systems.

This article provides guidelines for arriving at a set of robust motion parameters for the AMIS-3062x and NCV70627 stepper motor drivers. In this context, robust motion control implies reducing the occurrences of step-loss as well as false step-loss flags.

Typical Application

The typical application diagram for AMIS-30621 is shown in Figure 1. Here, SWI is the position switch input. If not used, Pin 20 should be left open. HW2 is an external address pin capable of withstanding high voltage transients. If not used, this pin should be connected to ground via a 1 kΩ resistor.

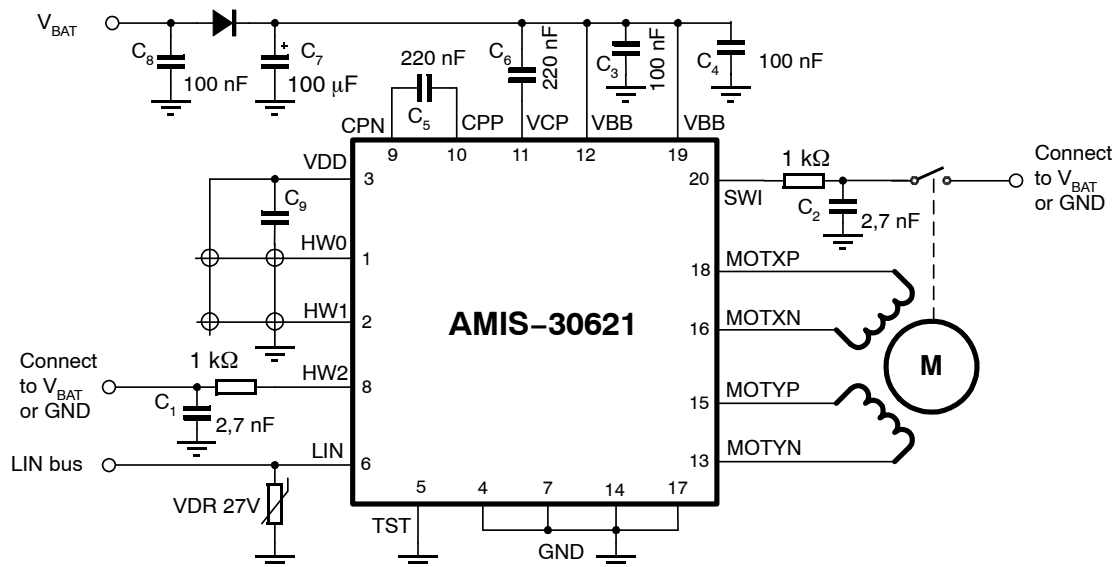


Figure 1. Typical Application Diagram

1. All resistors are 1/4 W, ± 5%.
2. C₁, C₂ : Minimum value is 2.7 nF, maximum value is 10 nF.
3. Depending on the application, the ESR value and operating voltage of C₇ must be carefully chosen.
4. C₃ and C₄ must be close to Pins VBB and GND.
5. C₅ and C₆ must be as close as possible to Pins CPN, CPP, VCP, and VBB to reduce EMC radiation.
6. HW0 and HW1 are to be connected to VDD or GND, respectively.

Resonance

Resonance phenomena in stepper motors can cause step-loss, leading to random and uncontrollable motion. The resonant frequency in stepper motor systems (with rigidly mounted ideal motor) is calculated in Ref.[1] as follows:

$$f_{res} = \sqrt{\frac{h}{8 \cdot \pi \cdot \mu \cdot S}} \quad (\text{eq. 1})$$

where:

f_{res} = resonant frequency of the motor with rigidly coupled load

h = holding torque

μ = moment of inertia of the rotor and any coupled load

S = the step angle in radians

This equation indicates that for a given motor and load condition, one can affect the resonant frequency by changing the current/torque. For example, if the current in the motor coils increases, the resonant frequency will also increase. In real world systems, several resonant frequencies are generated, which are mainly due to the elastic couplings and motor non-idealities. In many of these cases, measuring

the resonant frequencies rather than calculating them is the preferred technique. These frequencies can in turn be measured by means of the step-response of a loaded motor or a velocity sweep.

Important: The resonant frequencies of an unloaded motor are typically different from those of a loaded motor (due to the differences in μ and couplings). This affects the selection of robust motion control parameters in the AMIS-3062x and NCV70627 devices. For this reason, it is essential to determine these parameters for a specific motor and load configuration. In all cases, first ensure that the selected motor matches the load requirements, and then determine the proper value of current to generate the desired torque during all conditions (“Irun[3:0]” & “Ihold[3:0]” parameters). This is key to achieving the correct set of resonant frequencies.

In conjunction with resonance effects, some degree of velocity ringing can occur following abrupt speed changes. The positioning controller of AMIS-3062x and NCV70627 introduces four corner points (Figure 2), which will be discussed later in this application note.

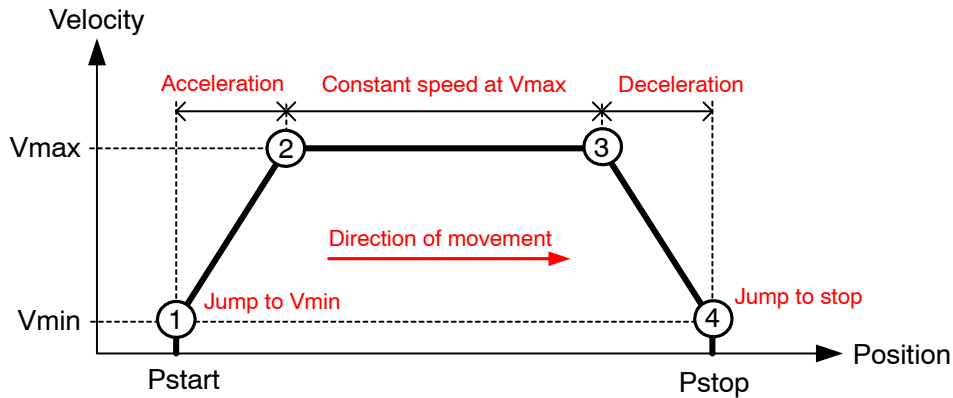


Figure 2. Speed as a Function of the Position as Implemented in the AMIS-3062x and NCV70627 Position Controller

Hint: Step-loss due to resonance or velocity ringing is minimized by selecting “Vmin[3:0]”, such that the stepping frequency is at all times above f_{res} (Corners 1 and 4 in Figure 2).

Acceleration and Deceleration

If changes in speed (accelerations and decelerations) are not in line with certain physical constraints, an increased chance of step-loss exists. In Ref.[1], the maximum acceleration is expressed as a function of f_{res} , as follows:

$$A_{max} = \frac{8 \cdot \pi \cdot f_{res}^2}{\sqrt{2}} \quad (\text{eq. 2})$$

where:

A_{max} = maximum acceleration (in FS/s²)

f_{res} = resonant frequency of the motor with rigidly coupled load

This equation can be used to arrive at a good approximate value for the maximum deceleration as well.

Hint: Measure the resonant frequencies in your application and select “Acc[3:0]” such that the resulting acceleration and deceleration are at all times below A_{max} .

Example: If $f_{res} = 30$ Hz, then $A_{max} = 16000$ FS/s²

Velocity ringing due to maximum acceleration and “Corner 2” (See Figure 2) can lead to false activation of the stall detection function (Ref. [3]). In order to prevent this occurrence, a blanking period is to be introduced via the parameter “FS2StallEn[2:0]”. This parameter represents (in binary format) the count of the number of full steps to be skipped, from the onset of “Corner 2” to the instance when the stall detection function is enabled, respectively. In this case, it is necessary to first characterize the ringing in the velocity waveform beyond “Corner 2”, in order to arrive at the correct “FS2StallEn[2:0]” parameter setting. The length of the blanking period can be set according to Table 1.

Table 1. BLANKING TIME SETTINGS TO PREVENT THE ACTIVATION OF THE STALL DETECTION CIRCUIT DURING “VELOCITY RINGING”

Index	FS2StallEn[2:0]	Blanking Time (Full Steps)
0	000	0
1	001	1
2	010	2
3	011	3
4	100	4
5	101	5
6	110	6
7	111	7

Hint: The parameter “FS2StallEn[2:0]” allows for reducing the risk of activation of the stall detection function due to velocity ringing beyond “Corner 2”. This parameter will blank the stall detection function during a number of full steps, at the expense of potentially losing a number of full steps in the positioner in case the motor encounters a true stall condition during this blanking time.

Stalled Motor

If a motor is mechanically blocked or is accelerated into a physical end-stop, then step-loss will occur (see description of “AbsThr[3:0]” and flag <AbsStall> in Ref [3]). The maximum number of lost full steps (#LFS_{max}) is the sum of following:
 {number of full steps in FS2StallEn[2:0]} + {number of full steps in acceleration ramp}

Or:

$$\#LFS_{max} = FS2StallEn[2:0] + \frac{(V_{max}^2 - V_{min}^2)}{2 \cdot Acc} \quad (eq. 3)$$

where:

#LFS_{max} = maximum number of lost full steps (FS)

FS2StallEn[2:0] = 0 to 7 FS

V_{max} = selected maximum speed (FS/s)

V_{min} = selected minimum speed (FS/s)

Acc = selected acceleration (FS/s²)

In this case, the actual position in the device’s position register can be updated (through the master command) to correct for the lost steps.

Hint: The parameter “AbsThr[3:0]” helps to detect an indefinitely blocked motor.

Hint: “AbsThr[3:0]nom” is obtained upon conducting certain motion tests on blocked motors and observing the flag <AbsStall> Ref. [3]. A robust rule of thumb estimate for

the “AbsThr[3:0]” parameter setting is “AbsThr[3:0]nom” minus 0.5 V.

Hitting a Mechanical Obstruction at V_{max}

In this case, the maximum number of lost full steps is only related to FS2StallEn[2:0]. Please refer to the description of “DelThr[3:0]” and “DelStallLo” and “DelStallHi” in Ref. [3]. DelThr, DelStallLo and DelStallHi are not applicable for the NCV70627.

Hint: To verify “DelThr[3:0]” operation, it is important for velocity-ringing (parameter “FS2StallEn[2:0]”) to be under control. A robust rule of thumb estimate for the “DelThr[3:0]” parameter setting is “AbsThr[3:0]”/2 (in volts).

Torque Reduction at Elevated Speeds

The inductance in the motor windings limits the rate of rise in motor current. At slow speeds this is hardly noticeable. However, at elevated speeds, with the rise and fall times of the current being of the same order of magnitude as the step time, this results in a reduction in the effective current in the motor phases, with a consequent reduction of the torque. Another contributor to the decline of torque is the “back-emf” or “counter EMF” Ref.[1]. The AMIS-3062x and NCV70627 stepper drivers have a PWM current control system. When a motor with high back-emf is operated at high speeds and low supply voltages, the PWM duty cycle can be as high as 100%. This indicates that the supply voltage is too low to generate the required torque. This situation may also result in erroneous triggering of the stall detection function (Table 2). As a precaution, the stall detection function is automatically disabled when the PWM duty cycle approaches ~100%, while some degree of control is possible via the parameters “DC100StEn” and “MinSamples[2:0]”:

AND8404

Table 2. AVOIDING FALSE STALL DETECTION IN CASE OF 100% DUTY CYCLE

Case	DC100StEn	PWM Duty Cycle	Stall Detection Enabled?	Risk for False Stall Detection?
1	0	< 100%	Yes	No
2	0	100%	No	No
3	1	< 100%	Yes	No
4	1	100%	Yes	High

Hint: Set “DC100StEn” = 0 for normal use.

Hint: It is possible (if “DC100StEn” = 1) to verify the safe operating range (max. speed, min. supply voltage). The “false stall-detection (case4)” will indicate 100% PWM duty cycle and torque reduction.

Finally, the parameter “MinSamples[2:0]” provides for a timing function for sampling of the back-emf voltage, according to Table 3.

Table 3. RELATION BETWEEN MINSAMPLES[2:0] VALUE AND THE SAMPLING TIME OF THE BACK-EMF


MinSamples[2:0]	Timing (μs)
000	87.7
001	131.6
010	175.4
011	219.3
100	263.2
101	307.0
110	350.9
111	394.7

Hint: Set “MinSamples[2:0]” to the next smaller value that best corresponds to the duration of one micro-step when running at V_{max} .

Example: When running at 5000 micro-steps/s, the duration per micro-step is 200 μs and MinSamples[2:0] should be set to “010”.

References

1. “Stepping Motor Physics”: Part 2 of “Stepping Motors” by Douglas W. Jones, <http://www.cs.uiowa.edu/~jones/step/>
2. Datasheet AMIS-30621 and AMIS-30622 Products, www.onsemi.com
3. Datasheet AMIS-30623 and AMIS-30624 Products, www.onsemi.com
4. Datasheet NCV70627 Products, www.onsemi.com

ON Semiconductor and  are registered trademarks of Semiconductor Components Industries, LLC (SCILLC). SCILLC owns the rights to a number of patents, trademarks, copyrights, trade secrets, and other intellectual property. A listing of SCILLC's product/patent coverage may be accessed at www.onsemi.com/site/pdf/Patent-Marking.pdf. SCILLC reserves the right to make changes without further notice to any products herein. SCILLC makes no warranty, representation or guarantee regarding the suitability of its products for any particular purpose, nor does SCILLC assume any liability arising out of the application or use of any product or circuit, and specifically disclaims any and all liability, including without limitation special, consequential or incidental damages. “Typical” parameters which may be provided in SCILLC data sheets and/or specifications can and do vary in different applications and actual performance may vary over time. All operating parameters, including “Typicals” must be validated for each customer application by customer's technical experts. SCILLC does not convey any license under its patent rights nor the rights of others. SCILLC products are not designed, intended, or authorized for use as components in systems intended for surgical implant into the body, or other applications intended to support or sustain life, or for any other application in which the failure of the SCILLC product could create a situation where personal injury or death may occur. Should Buyer purchase or use SCILLC products for any such unintended or unauthorized application, Buyer shall indemnify and hold SCILLC and its officers, employees, subsidiaries, affiliates, and distributors harmless against all claims, costs, damages, and expenses, and reasonable attorney fees arising out of, directly or indirectly, any claim of personal injury or death associated with such unintended or unauthorized use, even if such claim alleges that SCILLC was negligent regarding the design or manufacture of the part. SCILLC is an Equal Opportunity/Affirmative Action Employer. This literature is subject to all applicable copyright laws and is not for resale in any manner.

PUBLICATION ORDERING INFORMATION

LITERATURE FULFILLMENT:

Literature Distribution Center for ON Semiconductor
P.O. Box 5163, Denver, Colorado 80217 USA
Phone: 303-675-2175 or 800-344-3860 Toll Free USA/Canada
Fax: 303-675-2176 or 800-344-3867 Toll Free USA/Canada
Email: orderlit@onsemi.com

N. American Technical Support: 800-282-9855 Toll Free
USA/Canada
Europe, Middle East and Africa Technical Support:
Phone: 421 33 790 2910
Japan Customer Focus Center
Phone: 81-3-5817-1050

ON Semiconductor Website: www.onsemi.com

Order Literature: <http://www.onsemi.com/orderlit>

For additional information, please contact your local Sales Representative